



Catalog 1600-10

Daikin Classroom Unit Ventilators
Models AVS, AVB, AVV and AVR Floor Units
MicroTech® Control ("J" Vintage)



Introduction	3	Wall Louvers	57
Daikin Classroom Unit Ventilators	3	Wall Intake Louvers & Grilles	57
AHRI Performance	4	VentiMatic Shutter	58
Unit Features	5	VentiMatic Shutter Assembly.....	58
Model AV Floor Unit.....	5	Performance and Selection	59
Features & Benefits	6	Quick Selection Procedure.....	59
Quiet Operation With Our GentleFlo Delivery	6	Chilled Water Selection Example	61
The Right Amount of Fresh Air and Cooling	7	Hot Water Heating Selection	63
Precise Temperature and Dehumidification Control	8	Quick Selection Method Using MBH/ΔT.....	63
Low Installation Costs	10	Two-Pipe Chilled-Water/Hot-Water Applications	63
Perfect For Both New & Retrofit		Steam Heating Selection.....	66
Applications.....	10	Electric Heating Selection	67
Built In Flexibility.....	10	Direct Expansion Cooling Coil Selection	68
Controls Flexibility	10	Electrical Data	69
Low Operating Costs	11	PSC Motor.....	69
Easy To Maintain	12	EC Motor	70
Built To Last	14	Wiring Diagrams	71
Durable, Energy Efficient Fan Motors	15	Typical Wall Sensors Diagram	73
General Data	16	Power & Control Field Wiring	73
Model Nomenclature	16	Typical Digital Ready Wiring Diagram – PSC Motor	75
Model Types	18	Typical Controls By Others Wiring Diagram –	
Available Unit Ventilator Combinations	19	PSC Motor.....	76
Unit Arrangements: 16-5/8" Deep	22	Typical Digital Ready Wiring Diagram –	
Unit Arrangements: 21-7/8" Deep	22	Units with 3-Speed EC Motor.....	77
MicroTech® Controls	25	Typical Controls By Others Wiring Diagram –	
Digital Ready Systems	26	Units with EC Motor Variable Airflow	78
Field Mounted Controls (By Others).....	26	MicroTech Controls	79
Variable Airflow Control	26	Control Modes and Functions	79
Economizer Modes.....	26	Advanced Control Options	81
Demand Control Ventilation.....	26	System Components	82
Accessories	27	Unit Ventilator Controller	82
Unit Arrangements AL: 21-7/8" Deep With Accessories..	27	Communication Types.....	84
End Panels, Filler Sections & Sub Bases	28	Room Temperature Sensors used with	
Wall Louvers & Grilles	28	MicroTech Unit Controls	84
VentiMatic™ Shutter – Room Exhaust Ventilation	30	Actuators	85
Window Downdraft Protection	30	ServiceTools™	86
Physical Data	32	Application Considerations	87
Models AVS, AVB, AVV and AVR.....	32	Why Classrooms Overheat	87
Details & Dimensions	33	Meeting IAQ Requirements	88
16-5/8" Deep Unit Arrangements	33	Following ASHRAE Control Cycle II	89
21-7/8" Deep Unit Arrangements	34	Meeting AHRI 840 Requirements.....	90
Unit Arrangement Accessories	39	Face & Bypass Temperature Control	91
Coil Connections	41	Modulating Valve Temperature Control	93
General.....	41	Coil Selection	94
Heat/Cool Units	42	DX Split Systems	95
Reheat Units	44	Digital Ready Systems	97
Heating Only Units	46	Field-Installed Controls By Others &	
Cooling Only Units	46	Digital Ready Controls	97
Condensate Drain Locations	46	Unit Installation.....	102
End Panels	47	Wall Louvers	103
End Panel – Dimensions	47	Window Downdraft Protection	106
Valves	48	DraftStop System	106
Face & Bypass End of Cycle Valves	48	DraftStop Application.....	106
2-Way Modulating Valve (Chilled Water,		Valve Selection.....	107
Hot Water or Combination).....	49	Face and Bypass End-Of-Cycle Valve Sizing & Piping .	107
2-Way Modulating Valve (Steam) - 1/2"	51	Modulating Valve Sizing & Piping.....	109
2-Way Modulating Valve (Steam) - 3/4"	53	Steam Valve Sizing & Piping	111
3-Way Modulating Valve (Chilled Water, Hot Water or		Guide Specifications	113
Combination).....	55	Daikin Applied Unit Ventilator – Model AV Guide	
		Specifications	113

Daikin Classroom Unit Ventilators



For nearly a century schools have relied on unit ventilators to keep classrooms comfortable. Students learn more readily in a quiet, well-ventilated environment. That is why Herman Nelson invented the unit ventilator in 1917. Daikin Applied continues to set the industry standard for performance, features and quality. Today Daikin remains committed to continuing the Herman Nelson-AAF-McQuay legacy as the industry leader and meeting the changing requirements of schools with the highest quality unit ventilator products available.

We realize that keeping expenditures down is a high priority for school administrators and school boards.

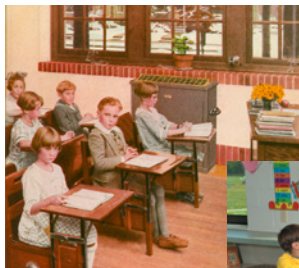
Daikin unit ventilators are inexpensive to install and operate, and they are designed and built to provide decades of trouble-free service.

Quiet Operation

Daikin unit ventilators are engineered and manufactured to deliver quiet, continuous comfort. We developed our GentleFlo™ air moving system to minimize operating sound levels—even as demands for more fresh air require units to operate longer and work harder.

The Right Amount of Fresh Air and Cooling

Daikin unit ventilators deliver required amounts of fresh air to meet ventilation requirements, and added cooling capacity to maintain consistent comfort for students and teachers. Our Economizer Operation, Demand Control Ventilation (DCV) and Part Load, Variable Air options allow you to closely match comfort requirements and reduce operating costs.



Since 1917



...and setting the standard today.

Precise Temperature and Dehumidification Control

Daikin unit ventilators feature precise temperature and dehumidification control to keep students and teachers comfortable while making maximum use of “free” outdoor-air cooling to reduce operating costs. They utilize a draw-thru air design that contributes to even heat transfer and uniform discharge air temperatures into the classroom. Coupled with face and bypass air control and our MicroTech™ active and passive dehumidification control strategies, they provide precise control of temperature and humidity levels.

Low Installation Costs

New construction installations are easily accomplished with Daikin unit ventilators because they avoid the added cost and space required for expensive ductwork. Retrofit installations are also economical because new units fit the same space occupied by existing ones. Multiple control options—including

MicroTech controls with Protocol Selectability™, or Digital Ready™ features—provide easy, low cost integration into the building automation system of your choice.

Low Operating Costs

When running, Daikin unit ventilators can use as little electricity as two 100-watt light bulbs. They take maximum advantage of “free” cooling opportunities to reduce operating costs. During unoccupied periods and at night, units operate sparingly to conserve energy.

Easy To Maintain, Modular Design

Daikin Unit Ventilators are designed to provide easy access for maintenance and service personnel to all serviceable components. Most tasks are easily handled by a single person.

Built To Last

Our proven institutional design can withstand the rigors of the classroom environment. It features an extra-sturdy chassis and double-wall damper on the inside; scuff-resistant finishes and tamper prevention features on the outside. In fact, many units installed over 30 years ago continue to provide quiet, reliable classroom comfort.

MicroTech Control For Superior Performance, Easy Integration

Daikin unit ventilators can be equipped with MicroTech® unit controllers for superior performance. Factory integrated and tested controller, sensor, actuator and unit options promote quick, reliable start-up and minimize costly field commissioning. Our Protocol Selectability feature provides easy, low-cost integration into most building automation systems. MicroTech controls have on-board BACnet® communication, with optional LONTALK® to communicate control and monitoring information to your BAS, without the need for costly gateways. Unit controllers are LONMARK® certified with the optional LONWORKS® communication module.

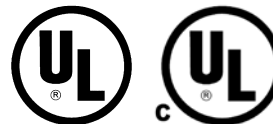
Table 1: AHRI Performance Data

Model	Unit Size	Nominal Airflow		Cooling Coil Rows	Total Capacity		Sensible Capacity		Temperature Rise		Power Input	Ventilation Rate
		CFM	L/s		BTUH	Watt	BTUH	Watt	F	C	Watts	%
AVV, AVS	07	750	354	2-Row	15700	4601	11400	3341	10	12.2	216	80
				3-Row	19000	5568	12900	3781			212	
				4-Row	24500	7180	15300	4484			207	
				5-Row	30800	9027	20300	5949			203	
	10	1000	472	2-Row	23600	6916	17800	5217	10	12.2	277	80
				3-Row	33200	9730	22600	6623			277	
				4-Row	35600	10433	23300	6829			279	
				5-Row	35900	10521	23600	6916			280	
	13	1250	590	2-Row	31500	9232	23600	6916	10	12.2	335	80
				3-Row	41000	12016	28600	8382			331	
				4-Row	43300	12690	28700	8411			327	
				5-Row	47200	13833	31100	9115			323	
	15	1500	708	2-Row	38700	11342	28400	8323	10	12.2	445	80
				3-Row	51200	15005	34900	10228			431	
				4-Row	56700	16617	37100	10873			418	
				5-Row	57600	16881	36800	10785			380	

Notes: Rated in accordance with AHRI Standard 840-98 for Unit Ventilators Capacity is based on 80°F db, 67°F wb entering air temperature, 45°F enter water temperature and high-speed fan.



Ventilation rate certified and tested per Air Conditioning, Heating and Refrigeration Institute (AHRI) Standard 840.

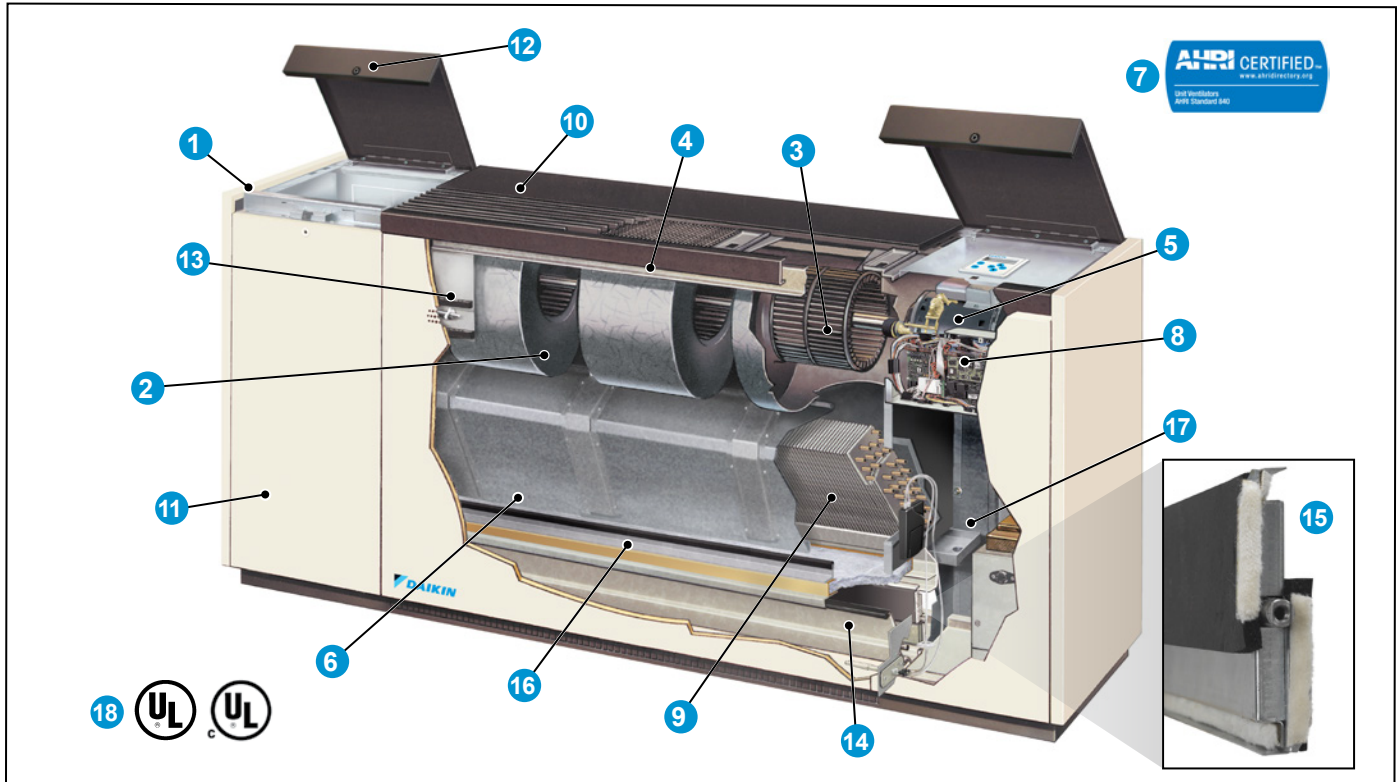


Model AV Floor Unit

Our Model AV is a vertical, floor-standing unit that utilizes remotely-supplied chilled water or refrigerant for cooling, and hot water, steam or electric heat for heating. The Model AV also can be supplied as a heating/ventilating unit only or as a cooling/ventilating unit only.

The Model AV is just right for new construction and for retrofit applications. Older buildings with baseboard radiant heat or other hydronic heating systems can be easily adapted to work efficiently with Model AV units.

Chilled-water or refrigerant cooling can be added to provide year-round comfort. The major features of this model are shown below and described in more detail on the following pages.



- | | | |
|--|---|--|
| <p>1 Welded one-piece chassis</p> <ul style="list-style-type: none"> • offers superior strength, durability, and vibration reduction <p>2 Unique draw-thru design</p> <ul style="list-style-type: none"> • provides uniform air distribution across the coil for even discharge air temperatures <p>3 Quiet, aerodynamic fans</p> <ul style="list-style-type: none"> • utilize GentleFlo technology for exceptionally quiet unit operation <p>4 Modular fan section</p> <ul style="list-style-type: none"> • improves balance, alignment and simplifies maintenance <p>5 Fan motor</p> <ul style="list-style-type: none"> • located out of air stream and away from heating coil reduces heat exposure to prolong life <p>6 Face and bypass damper design</p> <ul style="list-style-type: none"> • provides superior dehumidification and reduces chance of coil freeze-up <p>7 Certified ventilation performance per AHRI-840.</p> | <p>8 MicroTech® controls (optional)</p> <ul style="list-style-type: none"> • provide superior comfort control and easy integration into the building automation system of your choice. <p>9 Advanced heat transfer coil design provides extra capacity.</p> <p>10 Sturdy cabinet construction</p> <ul style="list-style-type: none"> • includes hidden reinforcement, a non-glare textured surface, and a tough, scuff- and mar-resistant finish to make the top sturdy enough to support maintenance personnel. <p>11 Sectionalized front access panels</p> <ul style="list-style-type: none"> • provide easy access to unit interior. Panels are easily removed by a single person. Front side panels can be removed while unit is running. <p>12 Two hinged top access doors</p> <ul style="list-style-type: none"> • provide easy access to motor and end bearing. Special tamper-resistant fasteners deter unauthorized access. | <p>13 Sampling chamber</p> <ul style="list-style-type: none"> • for unit-mounted sensor provides accurate sensing of room temperature. <p>14 Indoor room air damper</p> <ul style="list-style-type: none"> • blocks unwanted gusts of outdoor air on windy days. Its nylon bearings are quiet and maintenance free. <p>15 Insulated double-wall outdoor air damper</p> <ul style="list-style-type: none"> • seals tightly without twisting. <p>16 Single full-length air filter</p> <ul style="list-style-type: none"> • is efficient and easy to replace. All air delivered to classroom is filtered. <p>17 Convertible drain pan</p> <ul style="list-style-type: none"> • standard galvanized drain pan has connections on either end, can be field-modified to slant in either direction. Available as a selectable option in stainless steel. <p>18 UL/cUL listed</p> |
|--|---|--|

Quiet Operation With Our GentleFlo Delivery

Daikin unit ventilators are engineered and manufactured to deliver quiet, continuous comfort. We developed our GentleFlo™ air moving system to minimize operating sound levels—even as demands for more fresh air require units to operate longer and work harder. GentleFlo features include:

- Fan wheels are large, wide and rotate at a low speed to reduce fan sound levels. They are impact-resistant and carefully balanced to provide consistent performance.
- Offset, aerodynamic fan wheel blades move air efficiently (Figure 2).

- A large, expanded discharge opening minimizes air resistance, further lowering sound levels.
- Precision tolerances help reduce flow and pressure turbulence, resulting in lower sound levels.
- Fan housings incorporate the latest logarithmic expansion technology for smoother, quieter air flow (Figure 1).
- Modular fan construction contributes to equal outlet velocities and promotes quiet operation.
- Fan shafts are of ground and polished steel to minimize deflections and provide consistent, long-term operation.
- Fan assemblies are balanced before unit assembly, then tested after assembly (and rebalanced if necessary) to provide stable, quiet operation.

Figure 1: GentleFlo Fan Technology

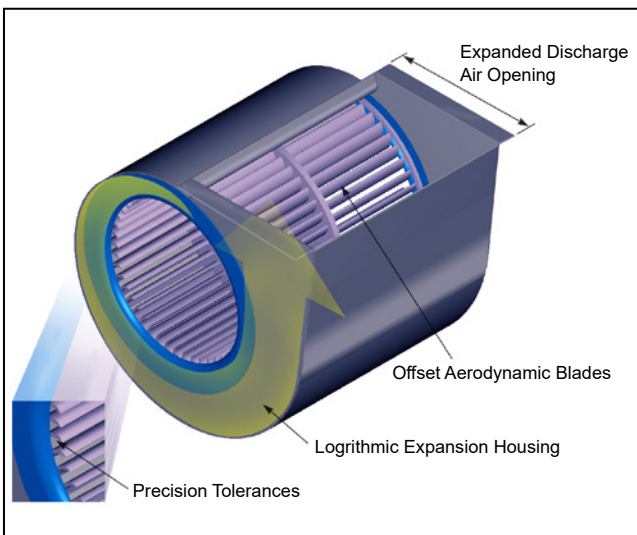
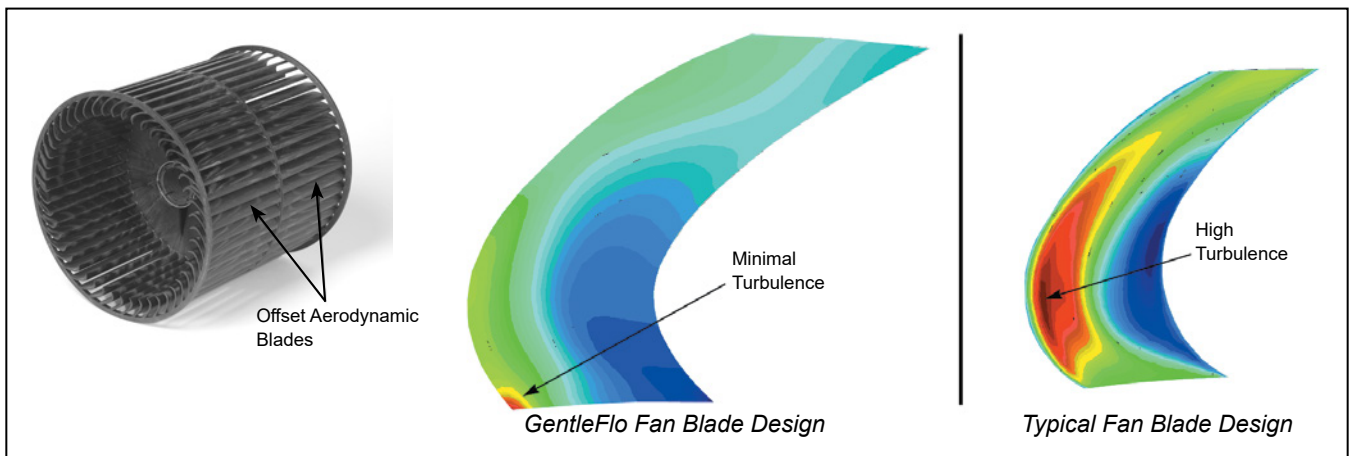


Figure 2: GentleFlo Reduces Turbulence



The Right Amount of Fresh Air and Cooling

Daikin unit ventilators deliver required amounts of fresh air to meet ventilation requirements and added cooling capacity to maintain consistent comfort for students and teachers. Our Economizer Operation, Demand Control Ventilation (DCV) and Part Load, Variable Air options allow you to match classroom comfort requirements even more closely, and reduce operating costs.

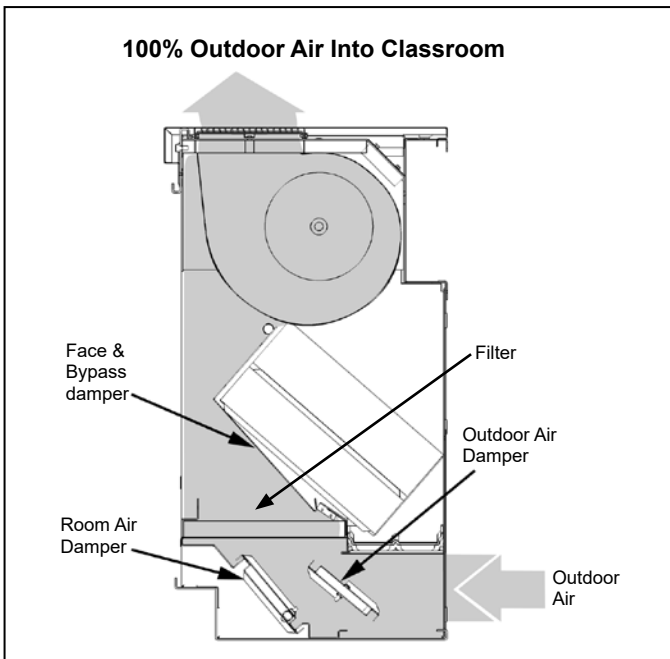
This means that you can be confident that your school is meeting ventilation standards for Indoor Air Quality and that your students are receiving adequate air to be attentive to instruction. At the same time, you are saving money in early morning hours, between classes or after hours when classrooms are heated and cooled but not always fully occupied.

Economizer Operation

It is well recognized that cooling, not heating, is the main thermal challenge in school classrooms. The typical classroom is cooled by outdoor air over half the time, even in cold climates. It is therefore essential that unit ventilators efficiently deliver outdoor air when classroom conditions call for “free” or economizer cooling.

With Daikin unit ventilators, you can have outdoor air whenever it is needed. Economizer operation is facilitated by the outdoor air damper, which automatically adjusts the above-minimum outside air position to provide free cooling when the outdoor air temperature is appropriate (Figure 3). On units equipped with MicroTech controls, three levels of economizer control are available (see page 79).

Figure 3: Full Economizer Mode



Part-Load Variable Air Control

Part Load Variable Air control can be used in conjunction with face and bypass damper temperature control to automatically adjust the unit ventilator fan speed based upon the room load and the room temperature. This MicroTech control option provides higher latent cooling capabilities and quieter operation during non-peak load periods by basing indoor fan speed upon room load.

Lower fan speeds in conjunction with our GentleFlo fan technology (see page 6) contributes to a very quiet classroom environment.

Room-temperature PI control loops determine the speed of the fan, which varies according to the room load. It also provides a built-in delay to prevent overshooting for better comfort control. The outdoor air damper’s minimum-air position is adjusted with the fan speed to bring in a constant amount of fresh air.

Demand Control Ventilation

Daikin unit ventilators can be equipped to use input from a CO₂ controller to ventilate the space based on actual occupancy instead of a fixed design occupancy. This Demand Controlled Ventilation (DCV) system monitors the amount of CO₂ so enough fresh outdoor air is introduced to maintain good air quality. The system is designed to achieve a target ventilation rate (e.g., 15 cfm/person) based on actual occupancy.

By using DCV to monitor the actual occupancy pattern in a room, the system can allow code-specific levels of outdoor air to be delivered when needed. Unnecessary over-ventilation is avoided during periods of low or intermittent occupancy, leading to improved energy efficiencies and cost savings.

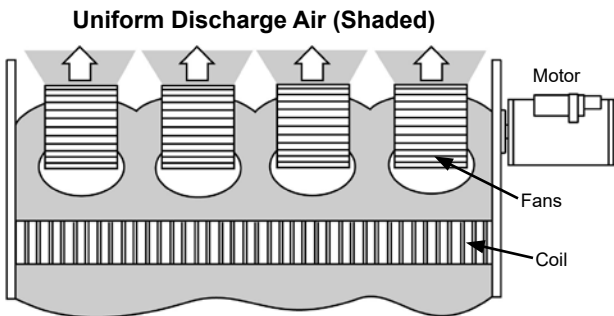
Precise Temperature and Dehumidification Control

Daikin unit ventilators provide precise temperature and dehumidification control to keep students and teachers comfortable while making maximum use of “free” outdoor-air cooling to reduce operating costs. They utilize a draw-thru fan design that contributes to even heat transfer and provides uniform discharge air temperatures into the classroom. Coupled with face and bypass damper air control and/or our MicroTech active and passive dehumidification control strategies, they provide precise control of temperature and humidity levels under both part-load and full-load conditions.

Draw-Thru Design For Even Discharge Temperatures

The Draw-Thru design sets our unit ventilators apart from most competitive models. With this system, fans draw air through the entire heat transfer element (Figure 4) rather than blowing it through highly concentrated areas of the coil element. The result is more uniform discharge air temperatures into the classroom and more efficient unit ventilator operation.

Figure 4: Draw-Thru Design Provides Even Discharge Air



Face & Bypass Design For Better Temperature and Humidity Control

When coupled with our draw-thru design, face and bypass damper air control offers maximum dehumidification and optimal temperature control. That’s because indoor and outdoor air streams can be separated until it is optimal to mix them.

During most part-load conditions, humid outdoor air is directed through the cold coil (coil surface below the dew point) where moisture is removed. Room air is bypassed around the coil, since it has already been dehumidified. This arrangement allows for maximum condensate removal. Humid outdoor air is not bypassed around the coil until the total amount of fresh air required is less than the total amount of fresh outdoor air required in the room. Figure 5 and Figure 6 below compare the composition of the air streams through the coil and air streams bypassing the coil at various bypass air percentages for

draw-thru and blow-thru unit ventilators using 450 cfm of outdoor air. At both 0% bypass air and 100% bypass air, no difference exists in the composition of the air streams. However, at all other bypass air percentages (part load), significant differences are evident. For instance, compare the 1500 cfm draw-thru (Figure 5) and blow-thru (Figure 6) units at 70% bypass air. At this point, the draw-thru unit still has all of the outdoor air going through the coil. Meanwhile, the blow-thru unit is bypassing 70% (315 cfm) of the humid outdoor air directly into the classroom.

Figure 5: Daikin Applied 1500 CFM Draw-Thru Unit

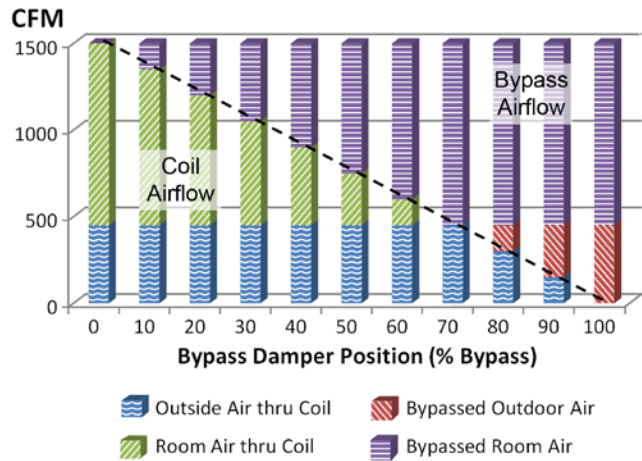
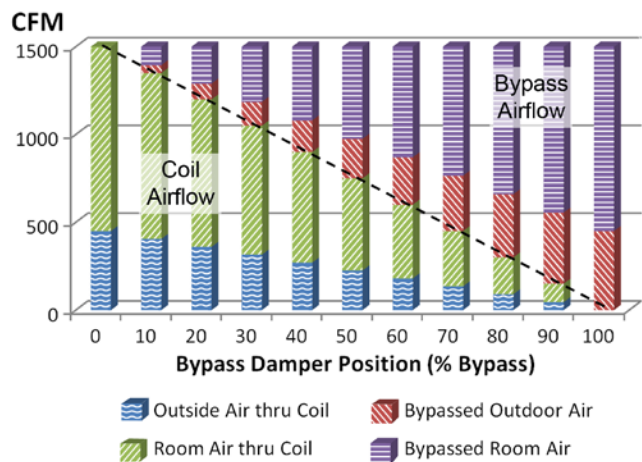


Figure 6: 1500 CFM Typical Blow-Thru Design

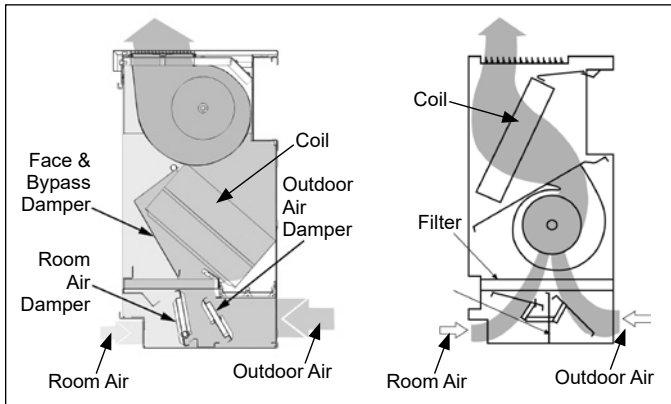


This illustrates that the most effective way to maintain an acceptable humidity level with a chilled-water unit ventilator system is to use a face and bypass damper, draw-thru unit.

Why Blow-Thru Designs Don't Measure Up

Blow-thru designs cannot provide comfort like this. With blow-thru designs, the humid outside air is pre-mixed with the room air before it can go through the coil (Figure 7). Dehumidification occurs only to the portion of the air that is directed unevenly through the cooling coil. The air that bypasses the coil is largely humid outdoor air, resulting in unconditioned air being bypassed and creating poor comfort conditions.

Figure 7: Draw-Thru Vs. Blow-Thru Design



With a blow-thru design the positive pressure of the fan discharge can create areas across the coil of varying temperatures and airflow. In addition, blow-thru face and bypass damper construction picks up heat by wiping the coil, creating overheating conditions. The sound level in a blow-thru design also varies based upon the position of the face and bypass damper.

Active Dehumidification (Reheat)

In high-humidity applications where valve-controlled, reheat units are used, the Active Dehumidification Control (ADC) sequence should be considered. During excessive humidity conditions, a humidity sensor directs the unit to continue cooling past the room setpoint to remove excess moisture. Hydronic heat or electric heat is then used to reheat the discharge air to maintain acceptable room temperatures.

MicroTech controls minimize the amount of reheat needed to maintain relative humidity below a preset limit. Reheat is used only when required and in the most energy-efficient manner possible. See "Active Dehumidification Control (Reheat)" on page 81 for more information.

Passive Dehumidification (Optional)

On units with face and bypass damper air control and MicroTech part-load variable air control, passive dehumidification can be used under high humidity conditions to keep classrooms comfortable. A unit mounted humidity sensor and fan speed changes are utilized to improve latent cooling by keeping the air in closer contact with the cold coil for passive dehumidification.

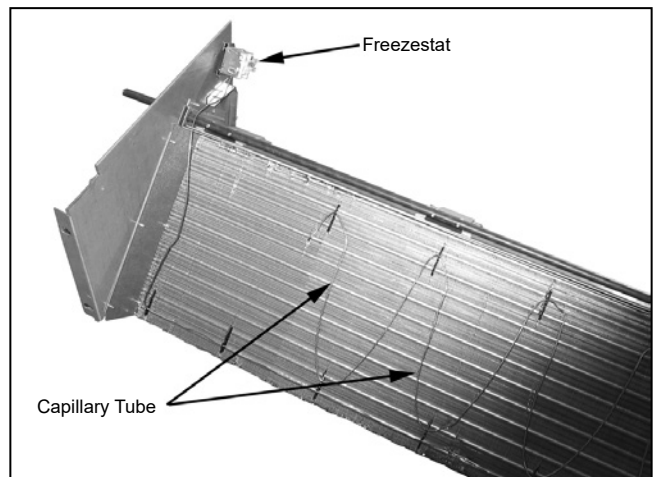
This occurs in the unoccupied mode as the unit operates to satisfy the unoccupied temperature and humidity set points with the outside damper closed. The face and bypass damper is placed in a minimum face position to promote high latent cooling. The unit fan continues to operate on low speed until the load is satisfied. This is very helpful in high humidity areas where high night time humidity can be absorbed in the building during off hours.

Increased Coil Freeze Protection

Daikin units equipped with face and bypass damper control provide extra protection from coil freeze-up. That's because there is a constant flow of hot water through the coil, and water that is flowing typically does not freeze. Additionally, all Daikin Applied units feature a double-walled, insulated outdoor air damper with airtight mohair seals to prevent unwanted coil air from entering the unit.

Furthermore, a low-temperature freezestat is factory installed on all units with hydronic coils. Its serpentine capillary tube senses temperatures across the leaving air side of the coil, allowing the unit controller to react quickly to low-temperature conditions.

Figure 8: Freezestat



Low Installation Costs

Daikin unit ventilators have many features that make them economical to purchase and to install in both new construction and retrofit applications. It is this attention to detail and understanding of school applications that make them the system of choice.

Perfect For Both New & Retrofit Applications

New construction installations are easily accomplished with Daikin unit ventilators because they avoid the added cost and space required for expensive ductwork. Further savings can be realized because piping installations use less space than duct systems.

This is important in existing buildings and also in new construction where floor-to-floor heights can be reduced, saving on overall building costs.

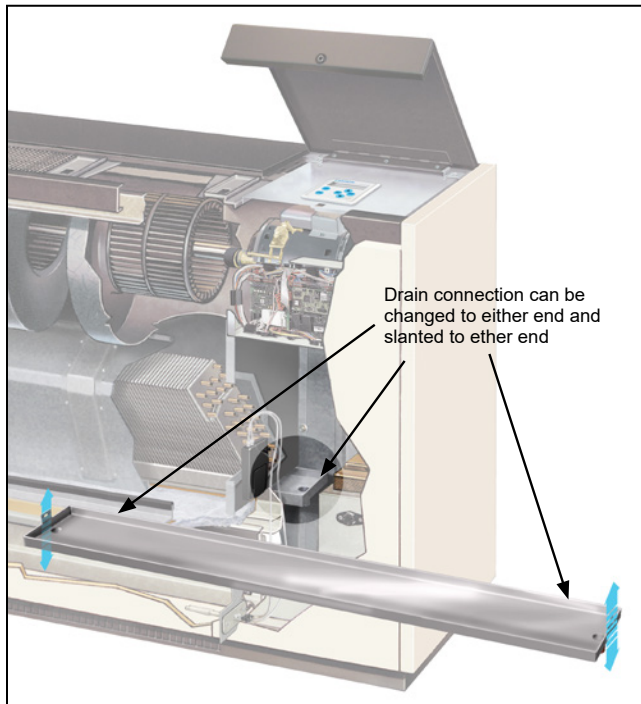
Retrofit installations are also economical because new units fit the same space occupied by existing ones. Using Daikin Applied unit ventilators, central equipment, such as chillers, can be sized smaller using building diversity. This results in a low capital-cost system.

Built In Flexibility

Daikin unit ventilators include features that make them easy to set up and reconfigure as needed to meet special requirements. These features include:

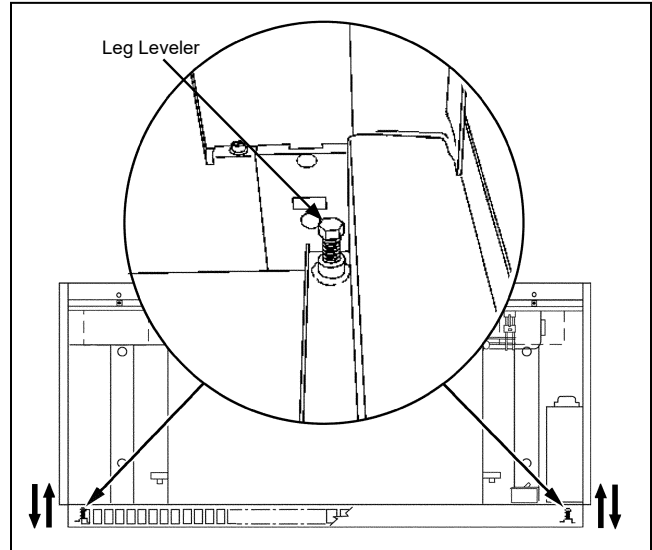
- **Reversible Drain Connections:** All units come with a condensate drain pan that has drain connections on either end (Figure 9). The drain-side connection can be changed in the field, along with the direction in which the drain pan slants.

Figure 9: Condensate Drain Pan, Reversible Connections



- **Add Cooling At A Later Date:** Because we recognize that some schools may wish to add cooling at a later date, even heating-only units are shipped standard with a drain pan.
- **Adjustable Leg Levelers:** Adjustable leg levelers are furnished on the front legs of all floor units to compensate for floor irregularities (Figure 10).

Figure 10: Adjustable Leg Levelers



- **Built-in Pipe Tunnel:** A built-in pipe tunnel allows field crossover of hot-water or chilled-water piping, electrical conduit or refrigeration tubing (see Unit Arrangements beginning on page 22).
- **Built-In Wire Race:** A built-in metal wire race runs from one end of the unit to the other to provide extra protection for wires and protect them from unit air.

Controls Flexibility

Multiple control options—including MicroTech controls with our Protocol Selectability feature—provide easy, low cost integration of Daikin unit ventilators into the building automation system of your choice (see page 25). You can also operate these units individually or in a client-server control configuration.

MicroTech controls come with on-board BACnet MS/TP communications, with the option for LONTALK to communicate control and monitoring information to your BAS, without the need for costly gateways. Unit controllers are LONMARK certified with the optional LONWORKS communication module.

Controls and communication modules can be factory provided or field-installed by others. Factory integrated and tested controller, sensor, actuator and unit options promote quick, reliable start-up and minimize costly field commissioning.

You can also use our Digital Ready option, where we factory-install and pre-wire control sensors and actuators and the controller is field-installed by others. See "Digital Ready Systems" on page 26.

Low Operating Costs

Schools consume more than 10% of the total energy expended in the United States for comfort heating and cooling of buildings. As energy costs increase, educators are placed in a difficult position: caught between rising costs, lower budgets and the requirements to raise educational standards.

Fortunately, the technology and the system exists for schools to take control of their energy expenditures while providing a comfortable environment for learning. And that system is the Daikin Applied unit ventilator.

Consider these realities of school environments:

- Most heating energy in schools is expended to heat unoccupied spaces. Because lights, computers and students give off considerable heat, occupied spaces require little supplemental heat.
- The removal of heat is usually required in occupied classrooms, even when outside temperatures are moderately cold (i.e., 35-40°F).

Then consider how Daikin unit ventilators, located in each classroom, take advantage of these realities to lower operating costs:

- They provide individual classroom control and comfort.
- They can be cycled on when the room is occupied and cycled off when it is not.
- They bring in fresh air from directly outside the classroom for high indoor air quality.

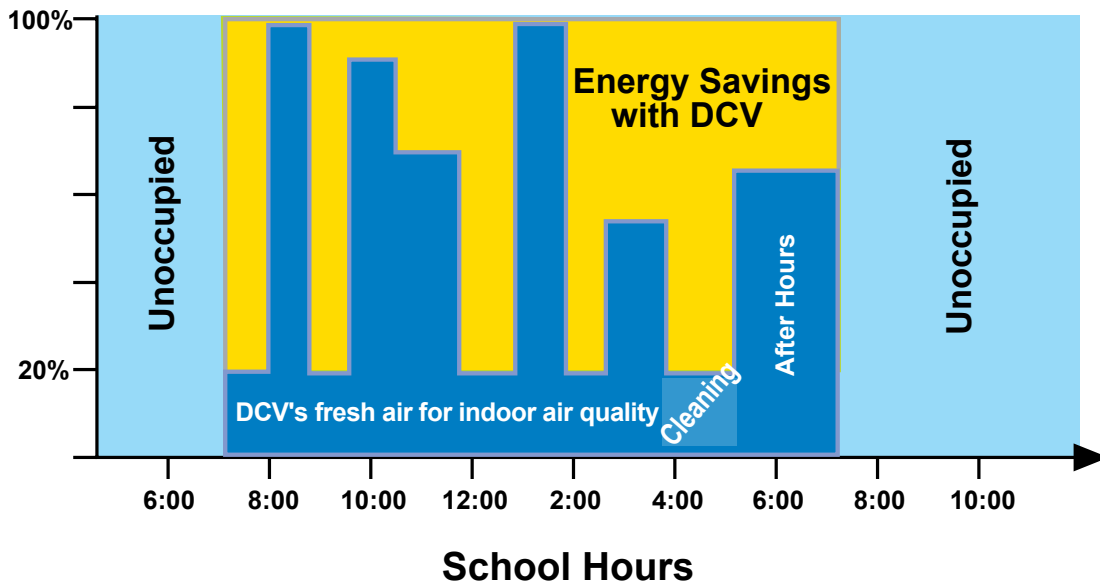
- During most of the school year, they use outdoor air to keep classrooms comfortable without the expense of mechanical cooling.
- They have their own air-moving device—a fan and 1/4 hp motor—which uses about as much energy as two 100-watt light bulbs. Compare this to the energy consumed by the 20-plus-hp motors used in centralized systems to cool both occupied and unoccupied spaces (at about 1 hp of energy consumed per room).

MicroTech Control Options Further Reduce Operating Costs

Many of the MicroTech control options available with Daikin Applied unit ventilators can further reduce operating costs. For example:

- **Economizer Operation:** Economizer operation automatically adjusts the above-minimum outside air position to provide free cooling when the outdoor air temperature is appropriate.
- **Demand Control Ventilation:** By using CO2 levels to monitor the actual occupancy pattern in a room, the system can allow code-specific levels of outdoor air to be delivered when needed without costly over-ventilation during periods of low or intermittent occupancy (Figure 11).
- **Occupancy Mode Operation:** Units can be programmed to operate only sparingly during unoccupied periods and at night to conserve energy.

Figure 11: Energy Savings with Demand Control Ventilation



Easy To Maintain

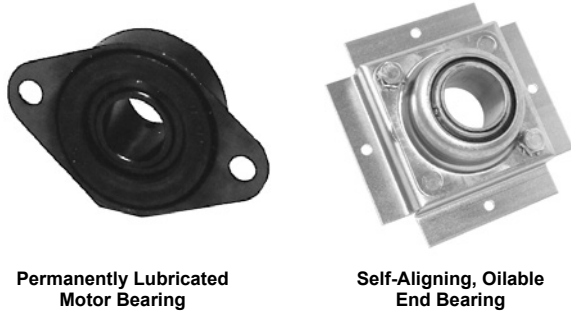
Daikin Unit Ventilators are designed to provide easy access for maintenance and service personnel to all serviceable components. Most maintenance tasks are easily handled by a single person.

Modular Fan Deck

The entire fan deck is easily removed as a single unit. This provides ready access to fan wheels, motors, bearings and other components for service, cleaning or repair.

The fan deck’s rotating element has one large, self-aligning, end bearing and a permanently lubricated motor bearing for smooth operation. On most sizes the location of the fan shaft bearing is at the end of the shaft (out of the air stream). This enables easy access for oiling on units built with an oilable end bearing (some units built with permanently sealed end bearings).

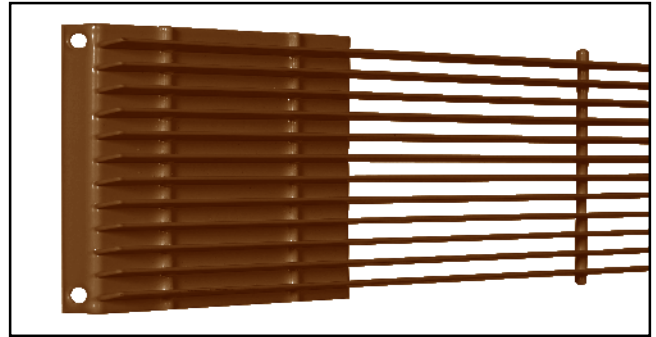
Figure 12: Long-Life Bearings



Heavy-Duty Discharge Grille

The discharge grille on the top of the unit is made from extra-strength steel bar stock, promoting long life (Figure 13). It can be removed to facilitate cleaning of fans and fan housings. A built-in 10-degree angle provides proper air throw to blanket the room for proper air circulation and comfort.

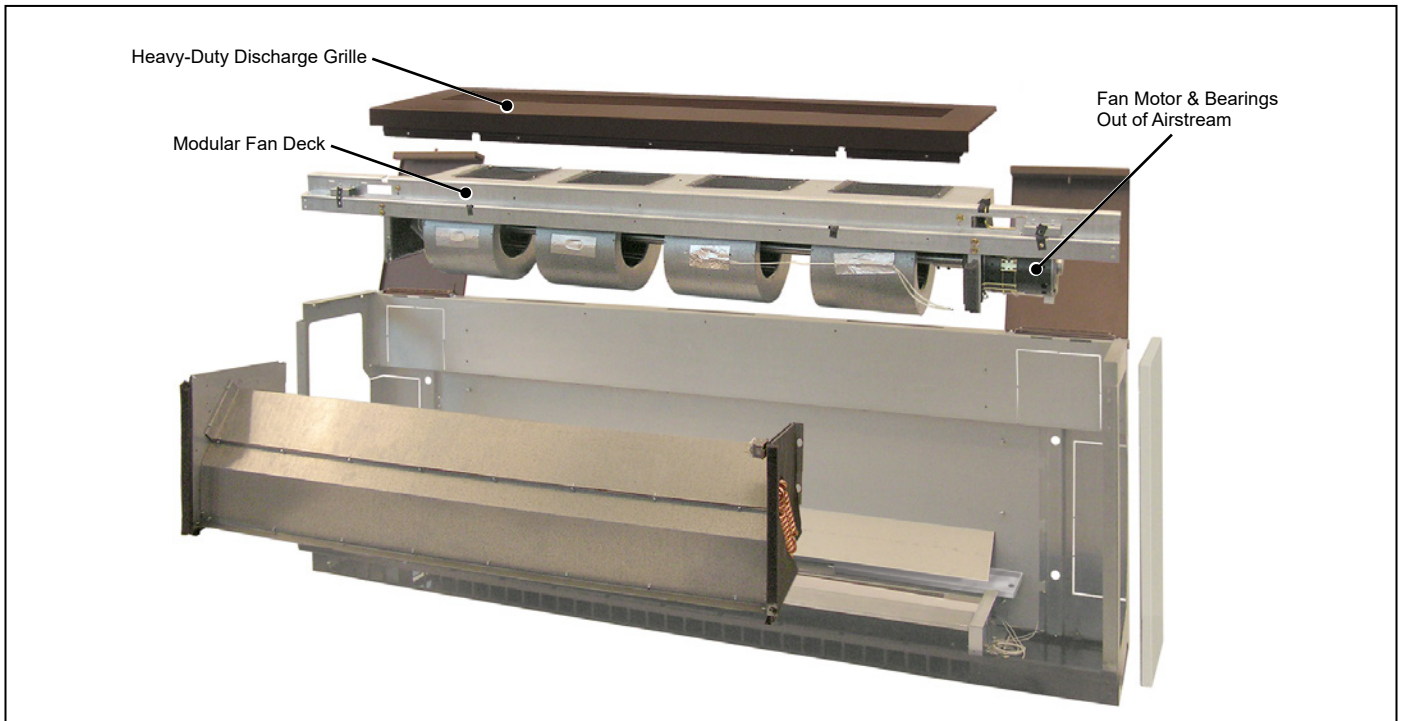
Figure 13: Heavy-Duty Steel Discharge Grille



Easy Motor Removal

Unlike with many competitive models, the motor in Daikin unit ventilators is separate from the fan assembly and is located out of the airstream at the end of the fan shaft—away from the hot coil—for easier maintenance and removal. Locating the motor away from the coil (Figure 14) has the added benefit of extending motor life. Our direct-coupled motor and self-aligning motor mount facilitate motor change-out. The motor comes with a mo-lex plug that fits all sizes and further simplifies removal.

Figure 14: Modular Fan Deck



Tamper-Resistant Fasteners

Front panels and top access doors are held in place by tamper-resistant, positive-positioning fasteners. They are quickly removed or opened with the proper tool, but deter unauthorized access to the unit's interior (Figure 15).

Sectionalized Access Panels And Doors

All floor units have three separate front panels and hinged top access doors, sized for convenient handling by a single person (Figure 15). The result is easy, targeted access to the component that needs servicing:

- Two 12 inch-wide end panels provide easy access to piping, temperature control components and the fan switch. Unlike units with full-length front panels, these can be removed without disturbing the normal operation of the unit.
- Hinged top access doors provide easy access into the end compartments to facilitate convenient servicing of the motor and shaft bearing (on units with oilable bearing installed).
- A short, center front panel provides easy access to the filter and discharge grille.

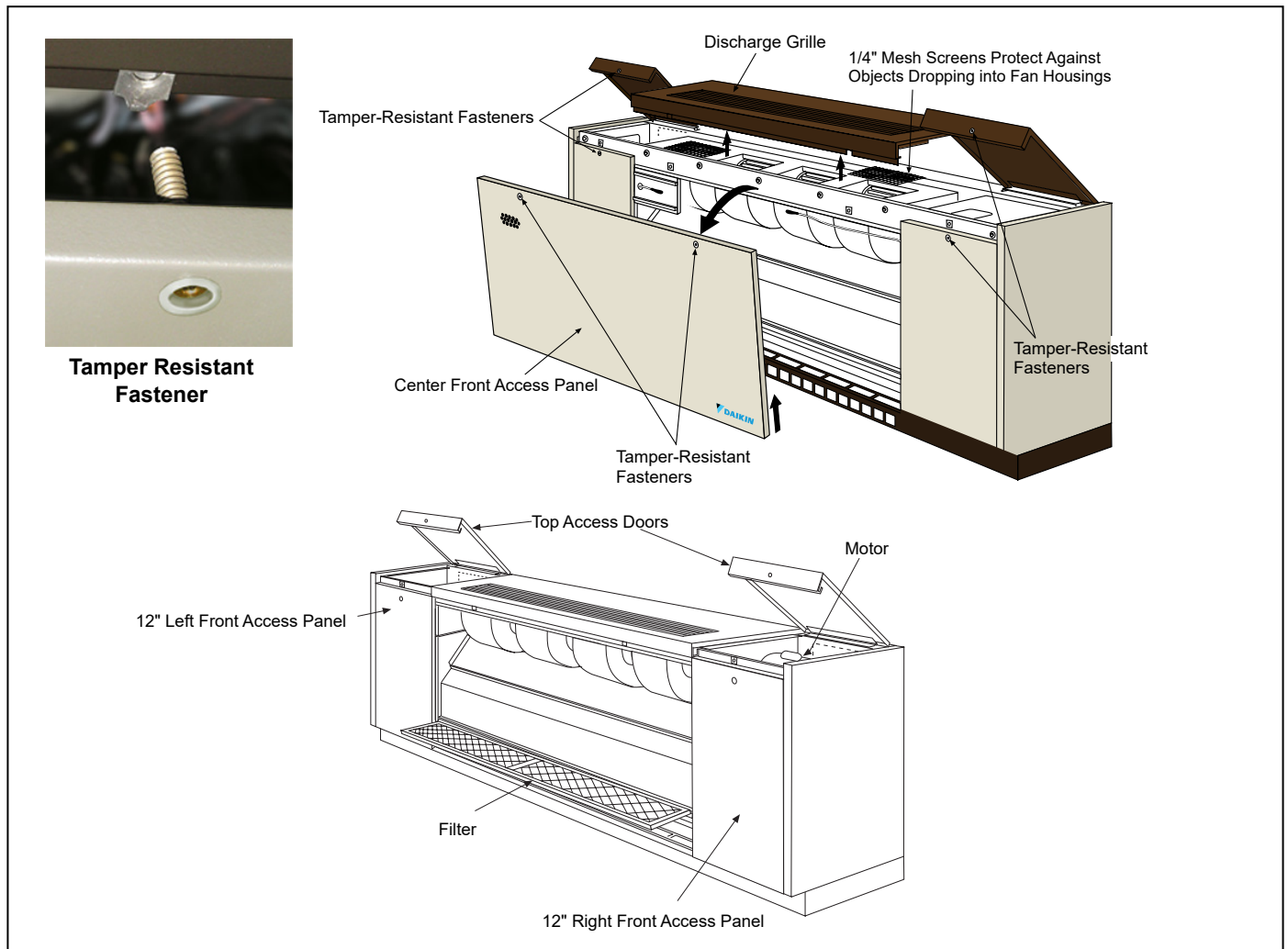
Single-Filter Design

With Daikin's single-filter design, filter change-out takes only seconds. Uneven dust loading is eliminated, which is common to units with separate filters for room and outdoor air, or that use a metal partition to separate filtering of indoor and outdoor air. The result can be longer filter life, which means less maintenance and fewer filters consumed.

Filter types offered:

- Single-use filters which feature fiberglass media and are designed to be used once and discarded. These are standard on all but electric heat units.
- Permanent metal filters which may be removed for cleaning and reused numerous times. These are standard on electric heat units.
- Renewable media filters, which consist of a heavy-duty, painted-metal structural frame and renewable Fiberglass media.
- Optional Merv 8, 11 or 13 filters are available for field-installation on units with EC motors.

Figure 15: Easy Access with Tamper-Resistant Fasteners



Built To Last

Our industrial-strength design provides the durability to withstand the rigors of the classroom environment. Its solid construction and rugged finish promotes continued alignment, structural strength and long-lasting beauty decades after the unit is installed. In fact, many units installed over 30 years ago continue to provide quiet, reliable classroom comfort.

Heavy Duty Frame Construction

Daikin's exclusive, unitized frame (Figure 16) is far superior to the fastener-type construction used by other manufacturers. Loosened fasteners can cause vibration, rattles and sagging panels. With unitized construction, there are no fasteners (screws or bolts) to come loose.

Other design features that promote trouble-free operation and long life include:

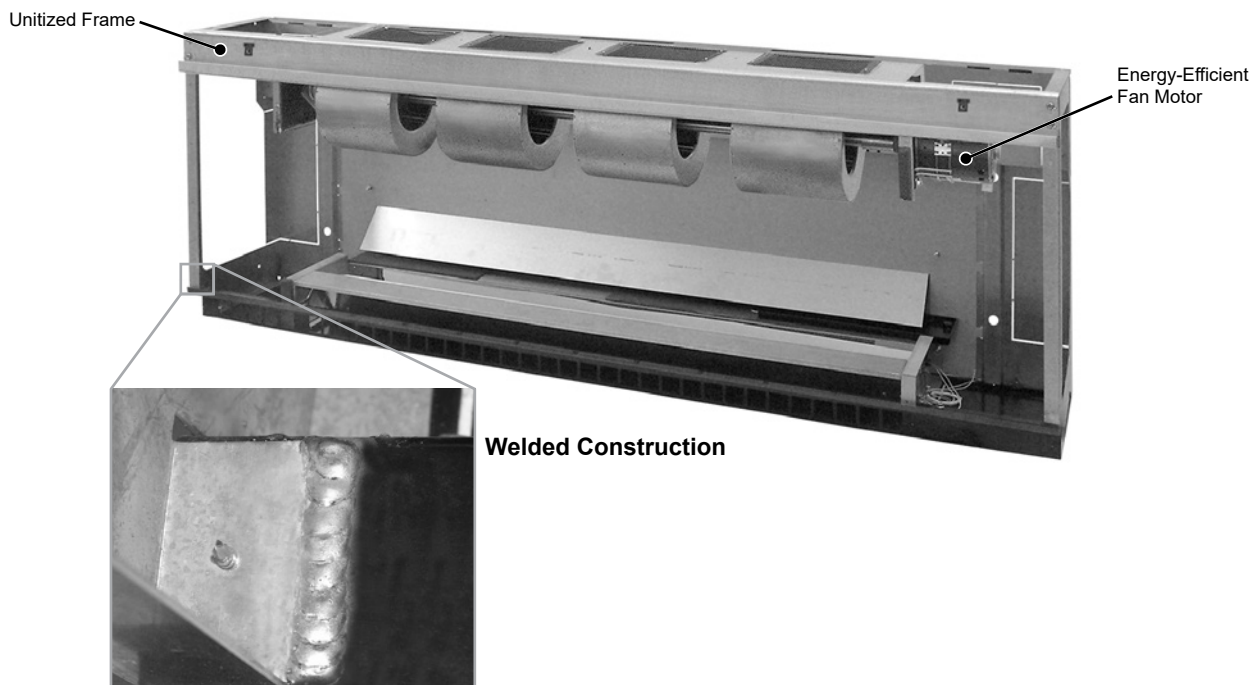
- A corrosion-resistant, galvanized-steel frame.
- Extra-strength, steel-bar discharge grille.
- Heavy-gauge-metal cabinet access panels and doors.
- An extra-strength pipe tunnel that stiffens the structure while adding aerodynamic air flow within the unit.
- Hidden reinforcement that provides additional built-in support for the top section as well as better support for the fan deck assembly.
- A rigid exterior that is strong enough to support maintenance personnel without fear of damaging the unit.

Rugged Exterior Finish

The superior finish of the unit ventilator's cabinets fosters long-lasting beauty as well as resistance to abuse and corrosion. We apply the very highest standards at every step of the finishing process to provide lasting quality:

- High-quality furniture steel is carefully inspected before painting. Scratches and marks that might show through are removed.
- After fabrication, the metal undergoes a five-stage cleaning and phosphatizing process to provide a good bonding surface and reduce the possibility of peeling or corrosion.
- A specially formulated, environmentally friendly, thermosetting urethane powder is applied electrostatically to the exterior panels. This film is oven-cured to provide correct chemical cross-linking and to obtain maximum scuff- and mar-resistance.
- The top of the unit is finished with a textured, non-glare and scuff-resistant, charcoal bronze electrostatic paint. End and front panels are available in a pleasing array of architectural colors.
- The Oxford brown steel kickplate is coated and baked with a thermosetting urethane powder paint to blend with floor moldings and provide years of trouble-free service.
- Each unit is painstakingly inspected before boxing, then encapsulated in a clear plastic bag, surrounded by an extra-heavy-duty cardboard box and secured to a skid to help provide damage-free shipment.

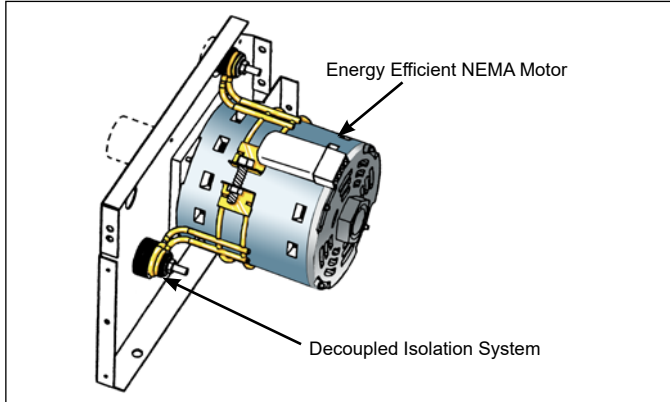
Figure 16: Heavy-Duty, Welded Chassis



Durable, Energy Efficient Fan Motors

Daikin Applied unit ventilators are equipped with 115/60/1 NEMA motors that feature low operating current and wattage (Figure 17).

Figure 17: Energy-Efficient Fan Motor



Additional features of these motors include:

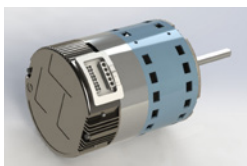
- Split-capacitor (PSC) design with automatic reset and thermal-overload protection.
- No brushes, contacts or centrifugal starting switches the most common causes of motor failure.
- A built-in, decoupled isolation system to reduce transmission of vibrations for quieter operation.
- A multi-tap, auto-transformer (Figure 18) provides multiple fan motor speed control through the speed switch. The motor is independent of supply voltage, which allows stocking of one motor (school district-wide) for various voltage applications.

Figure 18: Multi-Tap Auto-Transformer



Optional Electrically Commutated Motor (ECM)

With an EC motor there is almost no draw down of the unit's airflow (cfm) as static pressures increase. As a result, there is little need to oversize the unit to provide full air volume at high static pressures.



- Self adjusting for constant torque for part load efficiency.
- Available with 3-speed or variable airflow operation

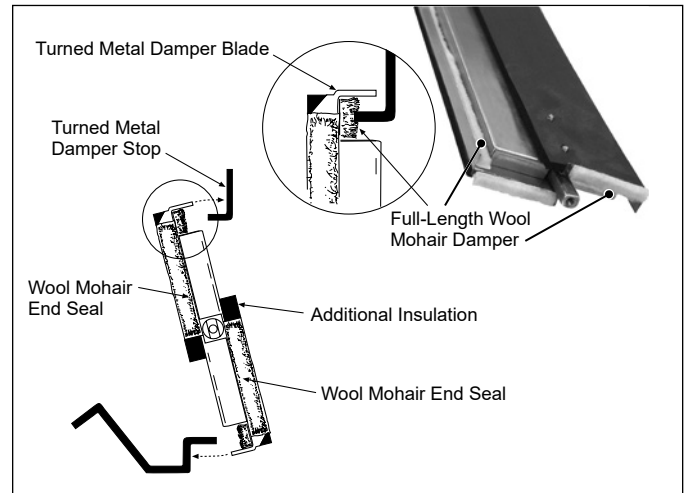
Durable Damper Design

All dampers in Daikin Unit Ventilators use the turned-metal principle on their long closing edges (Figure 19). Positive sealing is provided by embedding the edge into wool mohair (no metal to metal contact). There are no plastic gaskets to become brittle with time, sag with heat or age, or require a difficult slot fit to seal. Nylon damper bearings foster quiet, maintenance-free operation.

Additional features include:

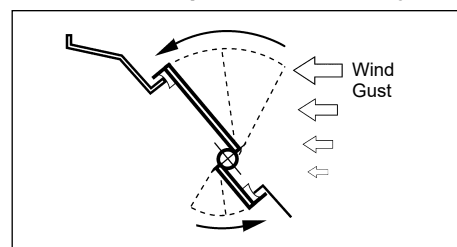
- Face and bypass dampers have a twist-free reinforced aluminum construction for durability. Aluminum is used because it is lightweight and noncorrosive, resulting in low torque and easy movement.
- Outdoor air dampers are made of galvanized steel to inhibit corrosion, with double-wall welded construction for rigidity and encapsulated insulation (Figure 19). Additional insulation is provided on the exterior of the outdoor air damper blade and on the outdoor air entry portion of the unit.

Figure 19: Outdoor Damper Seals Out Cold Weather



- Room air dampers are free-floating and designed to prevent intermittent gusts of cold air from blowing directly into the classroom on windy days (Figure 20). They are constructed of aluminum with built-in rigidity. The metal forming technique that is employed resists twisting and incorporates a full-length counter weight for easy rotation. The simple principle of an area exposed to a force is used to automatically close the damper, rather than open it, when gusts of cold air occur.

Figure 20: Room Air Damper Auto-Closed by Wind Gusts



Model Nomenclature

U AVV 9 S10 A S 68 A B1 AL 22 G I B 1
 1 2 3 4 5 6 7 8 9 10 11 12 13 14 15

Category	Code Item	Code Option	Code Designation & Description										
Product Category	1	1	U	Unit Ventilators									
			AVB	Floor, Face & Bypass, Reheat			AVR	Floor, Valve Control, Reheat					
Model Type	2	2-4	AVS	Floor, Face & Bypass			AVV	Floor, Valve Control					
Design Series	3	5	9	Design J									
Motor Type		6	S	PSC Motor, 3-Speed			V	EC Motor, Variable Airflow					
			H	EC Motor, 3-Speed									
Nominal	4	7-8	07	750 CFM			H13	High Static 1250 CFM					
			10	1000 CFM			H15	High Static 1500 CFM					
			13	1250 CFM			V07	EC Motor, Variable Airflow 750 CFM					
			15	1500 CFM			V10	EC Motor, Variable Airflow 1000 CFM					
			H07	High Static 750 CFM			V13	EC Motor, Variable Airflow 1250 CFM					
			H10	High Static 1000 CFM			V15	EC Motor, Variable Airflow 1500 CFM					
Voltage	5	9	A	115/60/1			D	208/60/3					
			C	208/60/1			H	230/60/3					
			G	230/60/1			K	460/60/3					
			J	265-277/60/1									
Coil Options	6	10	U [1]	2 Row CW/HW 2 pipe			V [5]	2 Row CW					
			D [2]	3 Row CW/HW 2 pipe			S [6]	3 Row CW					
			E [3]	4 Row CW/HW 2 pipe			W [7]	4 Row CW					
			F [4]	5 Row CW/HW 2 pipe			Y [8]	5 Row CW					
			G [9]	DX			Z	None					
			M [0]	DX for HP Operation									
Heating Options	7	11-12	12	3 Element Low Cap. Electric Heat			68	Steam Low Cap.					
			13	6 Element Low Cap. Electric Heat			69	Steam High Cap.					
			65	1 Row HW			78	Opposite End Steam Low Cap.					
			66	2 Row HW			79	Opposite End Steam High Cap.					
			67	3 Row HW			00	None					
Hand Orientation	8	13	A	Same Hand LH			E	LH Heating / RH Cooling					
			B	Same Hand RH			F	RH Heating / LH Cooling					
			D	RH Electric Heat Only			R	Single Coil Left Hand					
			G	RH Electric Heat / LH Cool			S	Single Coil Right Hand					
Controls	9	14-15	##	MicroTech® Controls (see control code table below)									
			Control Features				Feature Selections						
			Open Protocol	BACnet / Stand-Alone		•		•		•	•		
				LONMARK			•		•			•	•
			DCV	CO ₂ Sensor				•	•		•	•	
			Factory-Installed Keypad	LUI						•	•	•	•
							Control Code						
			Economizer Control	Basic		B1	B5	B9	BD	BH	BL	BP	BT
				Expanded		E1	E5	E9	ED	EH	EL	EP	ET
				Leading-Edge		L1	L5	L9	LD	LH	LL	LP	LT
23	Field Mounted Controls (By Others)												
17	Digital Ready												

Model Nomenclature (continued)

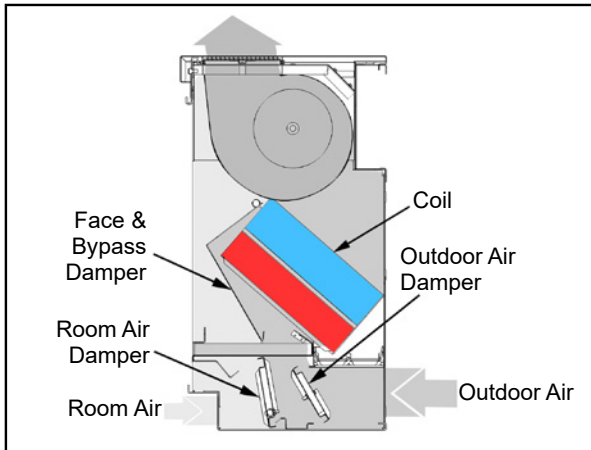
U AVV 9 S10 A S 68 A B1 AL 22 G I B 1
 1 2 3 4 5 6 7 8 9 10 11 12 13 14 15

Category	Code Item	Code Option	Code Designation & Description			
Discharge	10	16-17	AL	16-5/8" Top Bar Grille		
			AK	21-7/8" Top Bar Grille Partial Adapter Back, Open Tunnel		
			AN	21-7/8" Top Bar Grille Full Adapter Back, Closed Tunnel		
			AP	21-7/8" Top Bar Grille Full Adapter Back, Cold Pipe Tunnel, Top Duct In		
			AM	21-7/8" Top Bar Grille 2" Step, Full Adapter Back, Closed Tunnel		
			AB	21-7/8" Top Bar Grille Full Adapter Back, Closed Pipe Tunnel w/ Solid Back		
Return Air/Outside Air	11	18-19	22	Return Air Bottom Front/ Outdoor Air Rear		
			24	Recirculation Only/ No OA or RA Dampers		
			30	Return Air Bottom with Draft Stop/ OA Rear		
Power Connection	12	20	G	Box With Switch		
			J	Box w/switch, w/USB		
			K	Box w/switch, w/SD		
			M	Box w/switch, w/USB, w/SD		
Color	13	21	I	Antique Ivory	G	Soft Gray
			W	Off White	C	Cupola White
			B	Putty Beige		
SKU Type	14	22	B	Standard Delivery		
Product Style	15	23	1	1st Style Change		

Model Types

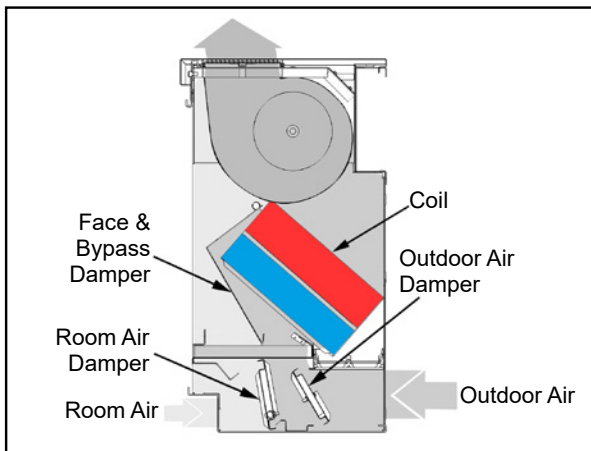
AVS – Face & Bypass

The model type AVS units include a face and bypass damper. By modulating the damper position a portion of the airflow is bypassed around the heating and/or cooling coil(s). The discharge air temperature is controlled by varying the portion of the airflow going across the active coil. In units with independent heating and cooling coils the heating coil will be positioned before the cooling coil. The exception to this rule is with electric heat, which is always installed after any cooling coil.



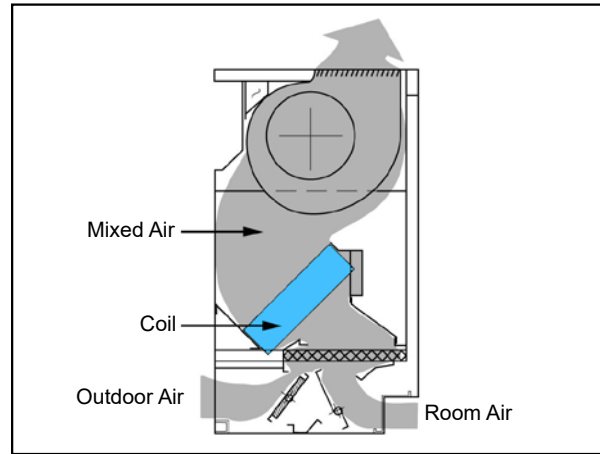
AVB – Face & Bypass, Reheat

The model type AVB units include a face and bypass damper. By modulating the damper position a portion of the airflow is bypassed around the heating and/or cooling coil(s). The discharge air temperature is controlled by varying the portion of the airflow going across the coil. Model AVB units will always have a heating coil positioned after the cooling coil to allow for dehumidification with reheat capability.



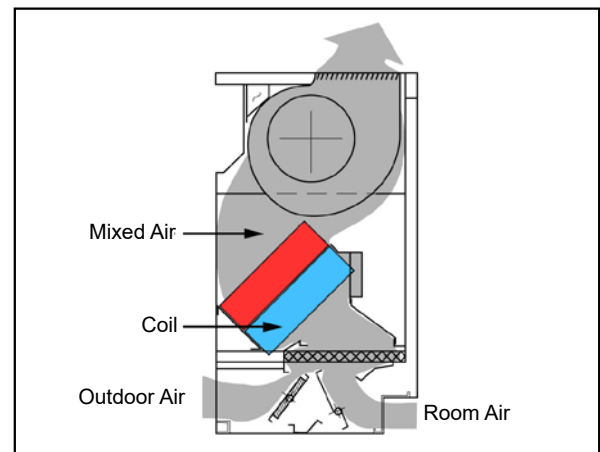
AVV – Valve Control

On model type AVV units the full airflow is directed across the coil(s) at all times. Discharge air temperature is controlled by modulating the heating and/or cooling valve(s). In units with independent heating and cooling coils the heating coil will be positioned before the cooling coil. The exception to this rule is with electric heat, which is always installed after any cooling coil.



AVR – Valve Control, Reheat

On model type AVR units the full airflow is directed across the coil(s) at all times. Discharge air temperature is controlled by modulating the heating and/or cooling valve(s). Model AVR units will always have a heating coil positioned after the cooling coil to allow for dehumidification with reheat capability. Units with factory installed controls will include a return air humidity sensor.



Available Unit Ventilator Combinations

Table 2: Available Unit Ventilator Combinations

	Code	Face & Bypass Control			Valve Control			
		Basic F & BP	Electric Heat/Cool	Hydronic Reheat	Basic Valve Control	Electric Heat/Cool	Hydronic Reheat	Electric Reheat
Air Capacity	Code 4	AVS	AVS	AVB	AVV	AVV	AVR	AVR
750 CFM	S07 / H07	•	•	•	•	•	•	•
1000 CFM	S10 / H10	•	•	•	•	•	•	•
1250 CFM	S13 / H13	•	•	•	•	•	•	•
1500 CFM	S15 / H15	•	•	•	•	•	•	•
750 CFM	V07	•		•	•		•	
1000 CFM	V10	•		•	•		•	
1250 CFM	V13	•		•	•		•	
1500 CFM	V15	•		•	•		•	
Voltage	Code 5							
115 - 60 - 1	A	•		•	•		•	
208 - 60 - 1	C	•		•	•		•	
230 - 60 - 1	G	•	•	•	•	•	•	•
265 - 60 - 1	J	•	•	•	•	•	•	•
208 - 60 - 3	D		•			•		•
230 - 60 - 3	H		•			•		•
460 - 60 - 3	K		•			•		•
Cooling Options	Code 6							
2 Row CW/HW 2 Pipe	U or 1	•			•			
3 Row CW/HW 2 Pipe	D or 2	•			•			
4 Row CW/HW 2 Pipe	E or 3	•			•			
5 Row CW/HW 2 Pipe	F or 4	•			•			
2 Row CW	V or 5	•	•	•	•	•	•	•
3 Row CW	S or 6	•	•	•	•	•	•	•
4 Row CW	W or 7	•	•	•	•	•	•	•
5 Row CW	Y or 8	•	•	•	•	•	•	•
DX	G or 9	•			•	•	•	•
DX for Heat Pump	M or 0	•			•	•	•	•
None	Z	•			•	•		
Heating Options	Code 7							
None	00	•			•			
HW One Row	65	•		•	•		•	
HW Two Row	66	•		•	•		•	
HW Three Row	67	•		•	•		•	
Steam Low Capacity	68	•		•	•		•	
Steam High Capacity	69	•		•	•		•	
Opposite End Drain Steam Low Cap	78	•		•	•		•	
Opposite End Drain Steam High Cap	79	•		•	•		•	
Low Electric Heat (3 element)	12		•			•		•
High Electric Heat (6 element)	13					•		•
Coil Hand Orientation	Code 8							
LH Heating / RH Cool	E	•		•	•		•	
RH Heating / LH Cool	F	•		•	•		•	
Single Coil LH	R	•			•			
Single Coil RH	S	•			•			
LH Both Coils (Only With Controls By Others)	A	•		•	•		•	
RH Both Coils (Only With Controls By Others)	B	•		•	•		•	
RH Electric Heat / LH Cool	G		•			•		•
RH Electric Heat, One Coil	D					•		

Table 3: Available Unit Ventilator Combinations

Controls	Code 9	Face & Bypass Control			Valve Control			
		Basic F & BP	Electric Heat/Cool	Hydronic Reheat	Basic Valve Control	Electric Heat/Cool	Hydronic Reheat	Electric Reheat
MicroTech	See Note ¹	•	•	○	•	•	•	•
Digital Ready ²	17	•	•		•	•		
Field Mounted Controls By Others	23	•	•	•	•	•	•	•
Top Bar Grille Air Discharge, Unit Depth, Adapter Back Arrangement	Code 10							
16-5/8", Open Pipe Tunnel	AL	•	•	•	•	•	•	•
21-7/8", Partial Adapter Back With Open Pipe Tunnel	AK	•	•	•	•	•	•	•
21-7/8", Full Adapter Back With Closed Pipe Tunnel	AN	•	•	•	•	•	•	•
21-7/8", Full Adapter Back With Closed Pipe Tunnel, Top Duct Intake	AP	•	•	•	•	•	•	•
21-7/8", 2" Stepdown Full Adapter Back With Closed Pipe Tunnel	AM	•	•	•	•	•	•	•
21-7/8", Full Adapter Back With Closed Pipe Tunnel With Solid Back	AB	•	•	•	•	•	•	•
Return Air/Outside Air Options	Code 11							
RA Bottom Front / OA Rear	22	•	•	•	•	•	•	•
RA Bottom Front With Draft Stop / OA Rear	30	•	•	•	•	•	•	•
100% RA Bottom Front / No OA Opening / No OA/RA Dampers	24	•	•	•	•	•	•	•
Power Connection	Code 12							
Box With Switch	G	•	•	•	•	•	•	•
Box w/switch, w/USB	J	•	•	○	•	•	•	•
Box w/switch, w/SD	K	•	•	○	•	•	•	•
Box w/switch, w/USB, w/SD	M	•	•	○	•	•	•	•
Color	Code 13							
Antique Ivory	I	•	•	•	•	•	•	•
Putty Beige	B	•	•	•	•	•	•	•
Soft Gray	G	•	•	•	•	•	•	•
Off White	W	•	•	•	•	•	•	•
Cupola White	C	•	•	•	•	•	•	•

The "•" mark indicates the coil combination listed to the left is available.

The "○" mark indicates the coil combination listed to the left will be added in the future.

¹ See MicroTech Control Availability in [Table 4](#)

² Some coil combinations and configurations may not be available for Digital Ready controls.

Table 4: MicroTech Controls Combinations

Control Features		Feature Selections							
Open Protocol	BACnet / Stand-Alone	•		•		•	•		
	LonMARK		•		•			•	•
DCV	CO ₂ Sensor			•	•		•		•
Factory-Installed Keypad	LUI					•	•	•	•
		Control Code							
Economizer Control	Basic	B1	B5	B9	BD	BH	BL	BP	BT
	Expanded	E1	E5	E9	ED	EH	EL	EP	ET
	Leading-Edge	L1	L5	L9	LD	LH	LL	LP	LT

Table 5: Available Coil Combinations

First Position In Airstream	Second Position In Airstream	Face & Bypass Control			Valve Control			
		Basic F & BP	Electric Heat/Cool	Hydronic Reheat	Basic Valve Control	Electric Heat/Cool	Hydronic Reheat	Electric Reheat
		AVS	AVS	AVB	AVV	AVV	AVR	AVR
Heating Only								
65 66 67	Z	•			•			
Z	68 69 78 79 (See Note 1)	•			•			
Z	12 13 (See Note 1)					•		
Cooling Only								
V S W Y 5 6 7 8	00	•			•			
G M 9 0	00				•			
Heat/Cool								
U D E F 1 2 3 4	00	•			•			
65	V S W Y G M 5 6 7 8 9 0	•			•			
66	V S W G M 5 6 7 9 0	•			•			
67	V S G M 5 6 9 0	•			•			
V S G M 5 6 9 0	68 69 78 79 (See Note 1)	•			•			
V S W 5 6 7	12 (See Note 1)		•			•		
V S W G M 5 6 7 9 0	12 13 (See Note 1)					•		
Cool/Reheat								
V S 5 6	65 66 67 68 69 78 79			•			•	
W 7	65 66			•			•	
Y 8	65			•			•	
G M 9 0	65 66 67 68 69 78 79						•	
V S W G M 5 6 7 9 0	12 13							•

Notes: 1. Steam and Electric coils are always in the second position.
 2. The “•” mark indicates the coil combination listed to the left is available.

Heating and cooling coil type codes:

Heating Coils:

- 65 = 1 Row Hot Water Coil
- 66 = 2 Row Hot Water Coil
- 67 = 3 Row Hot Water Coil
- 68 = Low Capacity Steam Coil
- 69 = High Capacity Steam Coil
- 78 = Opposite End Drain Low Capacity Steam Coil
- 79 = Opposite End Drain High Capacity Steam Coil
- 12 = Low Electric Heat Coil
- 13 = High Electric Heat Coil
- 00 = None

Cooling Coils:

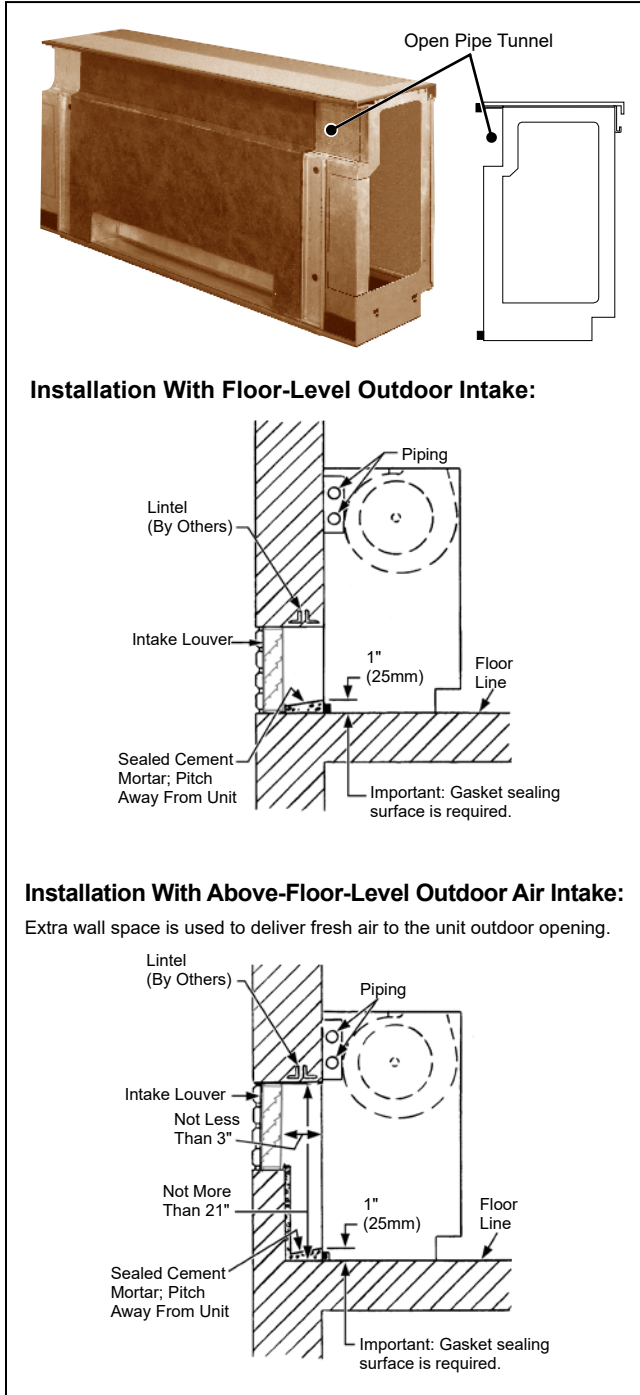
- U or 1 = 2 Row CW/HW 2-Pipe Coil
- D or 2 = 2 Row CW/HW 2-Pipe Coil
- E or 3 = 4 Row CW/HW 2-Pipe Coil
- F or 4 = 5 Row CW/HW 2-Pipe Coil
- V or 5 = 2 Row CW Coil
- S or 6 = 3 Row CW Coil
- W or 7 = 4 Row CW Coil
- Y or 8 = 5 Row CW Coil
- G or 9 = Direct Expansion Coil
- M or 0 = DX with Heat Pump
- Z = None

Unit Arrangements: 16-5/8" Deep

Arrangement AL

The arrangement AL units are 16-5/8" deep. They are available with an open pipe tunnel and a rear outdoor air inlet.

Figure 21: Arrangement AL With Open Pipe Tunnel

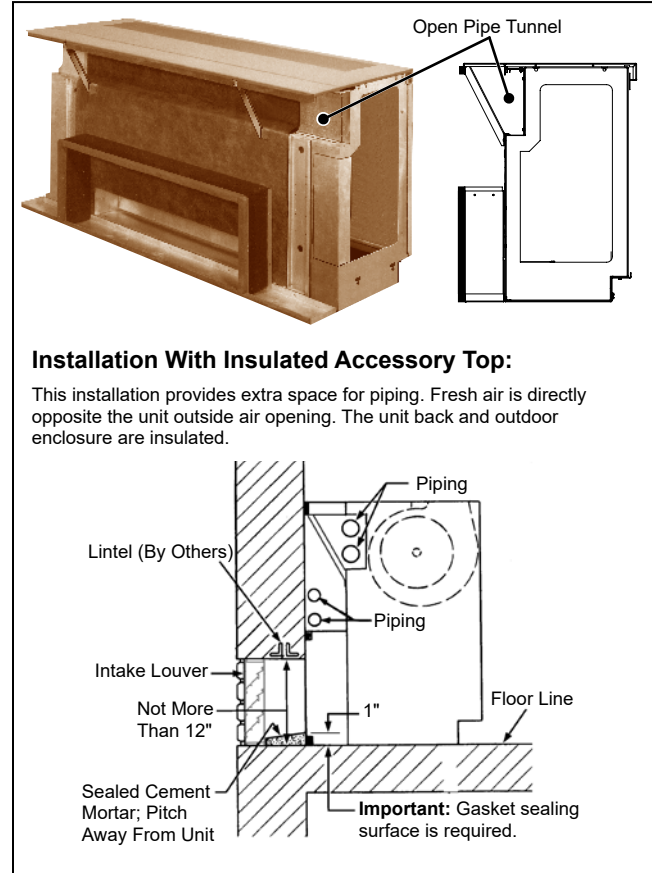


Unit Arrangements: 21-7/8" Deep

Arrangement AK

The arrangement AK units are 21-7/8" deep and have a partial adapter back with an open pipe tunnel and a rear outdoor inlet.

Figure 22: Arrangement AK

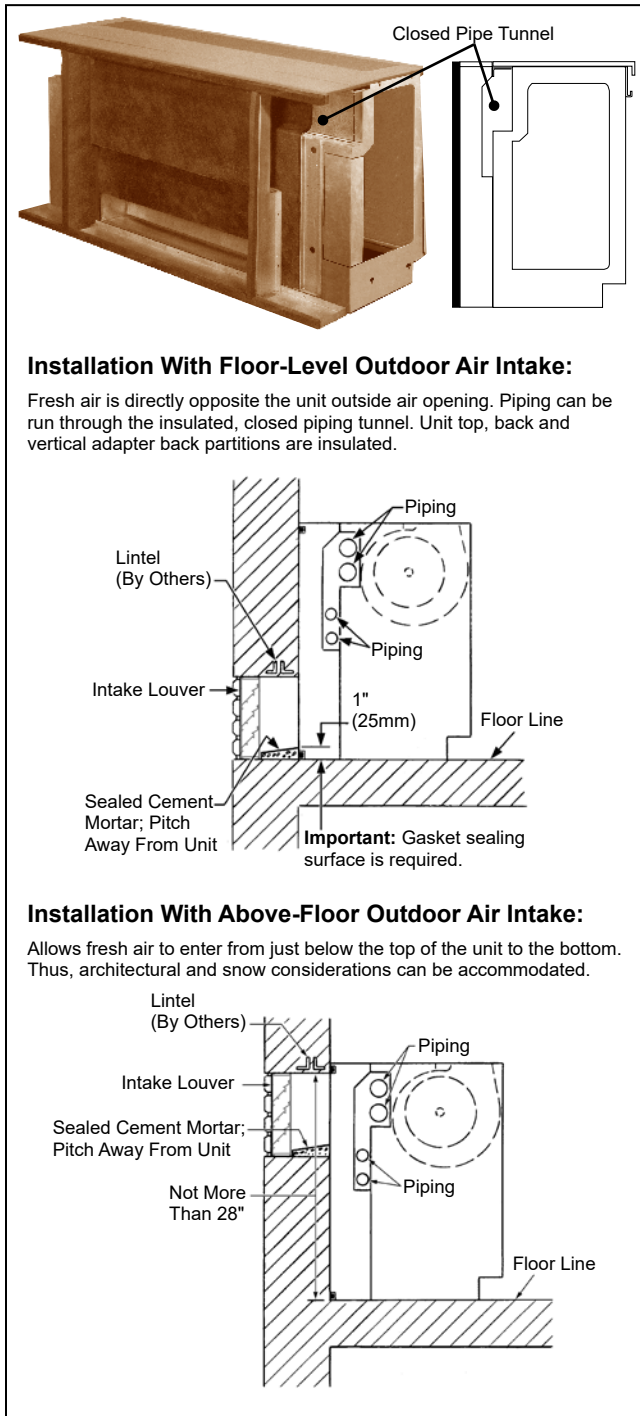


Unit Arrangements: 21-7/8" Deep (Continued)

Arrangement AN

The arrangement AN units are 21-7/8" deep and have a full adapter back with a closed pipe tunnel and a rear outdoor air inlet.

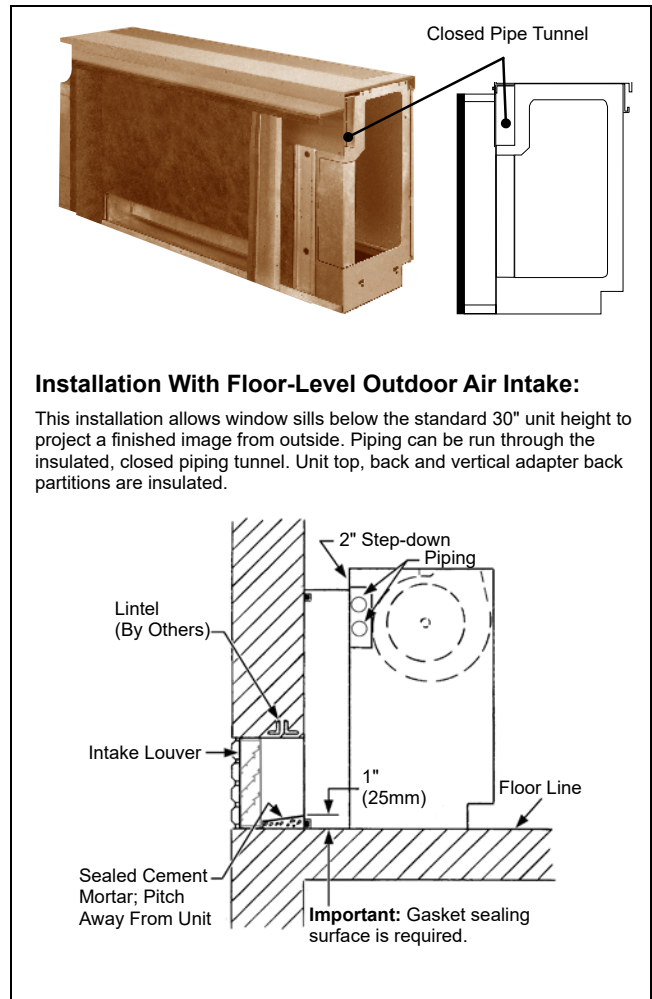
Figure 23: Arrangement AN



Arrangement AM

The arrangement AM units are 21-7/8" deep and have a full adapter back with a closed pipe tunnel and a 2" step-down.

Figure 24: Arrangement AM

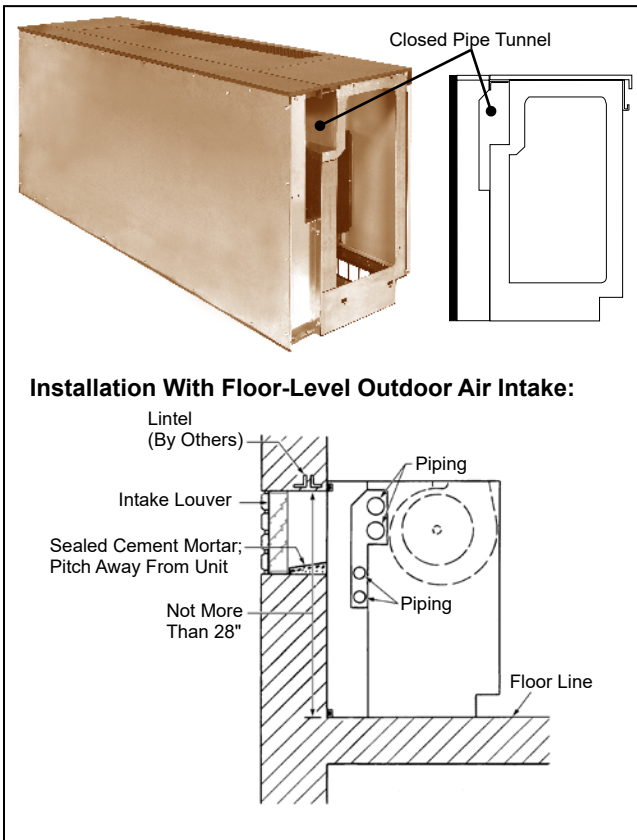


Unit Arrangements: 21-7/8" Deep (Continued)

Arrangement AB

The arrangement AB units are 21-7/8" deep and have a full metal back cover that allows cutting a direct fresh air connection to the outside air opening when desired. The unit top, back vertical adapter back partitions and center inside metal back are insulated.

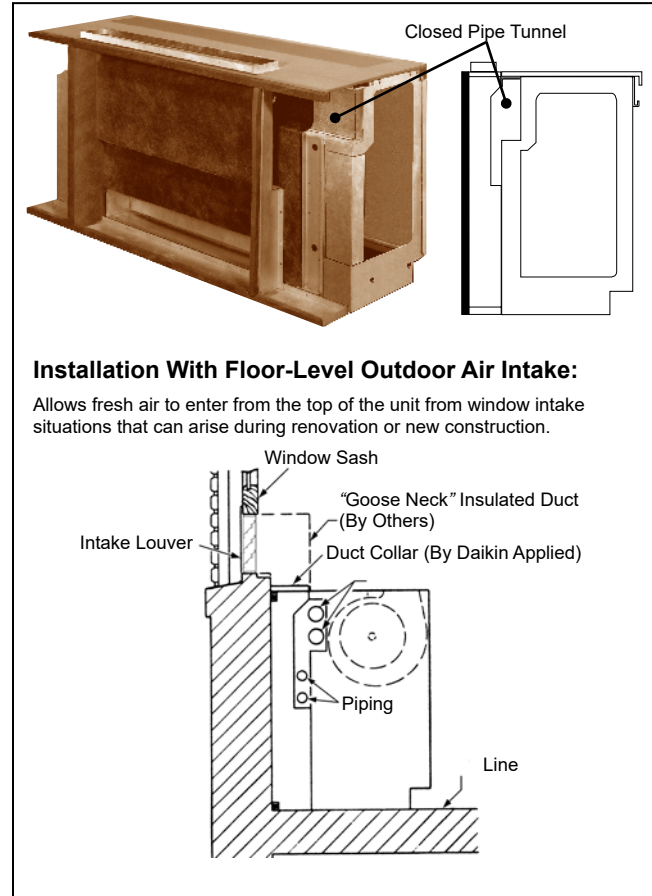
Figure 25: Arrangement AB



Arrangement AP

The arrangement AP units are 21-7/8" deep and have a full adapter back with a closed pipe tunnel and an outdoor air duct collar inlet.

Figure 26: Arrangement AP



MicroTech® Controls (Optional)



Daikin unit ventilators equipped with MicroTech unit controllers can provide superior performance and easy integration into your building automation system of choice.

MicroTech benefits include:

- Factory integrated and tested controller, sensor, actuator and unit options promote quick, reliable start-up and minimize costly field commissioning.
- High-performance features and advanced control options can quickly pay for themselves in saved energy costs and more comfortable classrooms.
- Select from three control levels: stand-alone, client-server or network control.
- For network control applications, our Protocol Selectability feature provides easy, low-cost integration of Daikin unit ventilators into most building automation systems.
- Flexible BAS network communication options guard against controls obsolescence, keeping MicroTech controls viable for the life of your Daikin equipment.

Three Control Levels

MicroTech unit controllers provide the flexibility to operate Daikin unit ventilators on any of three levels:

- As stand-alone units, with control either at the unit or from a wall sensor.
- In a client-server relationship, where client units follow the server unit for some or all functions.
- Controlled as part of a network using a centralized building automation system.

Stand-Alone Control

When operating in stand-alone mode, the MicroTech controller performs complete room temperature and ventilation control. Units can be operated in occupied, unoccupied, stand-by, or bypass (tenant override) modes. Occupied/unoccupied changeover can be accomplished:

- Automatically by an internal Daily Schedule (two occupied times and two unoccupied times for each of the seven days, and one holiday schedule)
- Using a field-wired occupancy sensor

If a school has more than one zone, separate, internally-programmed schedules are used to regulate each zone.

Client-Server Control

Designation of the server and client units will be field-configurable and set up for a local peer-to-peer network between units (network wiring between these units to be field-installed).

Client units can be field-configured to be dependent or independent as follows:

- Dependent client units follow the server unit completely. They are ideal for large spaces that have even loads across the space (such as some libraries).
- Independent client units (default) use server setpoints and client sensors. The client follows the server unit modes, such as heat or cool, but has the flexibility to provide the conditioning required for its area within the space. Independent client units perform better in spaces where loads vary from one area of the space to the other (such as stairwells or cafeterias).

Network Control

MicroTech unit controllers provide easy integration into your building automation system of choice. All factory-installed options are handled by the unit controller. This simplifies the transmission of monitoring and setpoint data to the building automation system.

MicroTech® controls have on-board BACnet communication, with the option for LONTALK to communicate control and monitoring information to your BAS, without the need for costly gateways (see "Communication Types" on page 84). Unit controllers are LONMARK certified with the optional LONWORKS® communication module.

Flexible network communication options via our Protocol Selectability feature help you avoid control obsolescence over the life of your Daikin equipment.

USB Interface

An optional USB-A port can be factory-configured. This option simplifies field access to the MicroTech controller. The USB interface can be used for downloading code, changing unit configuration, accessing external memory, or a field-connection to run the service tool. Technicians will have access to read all inputs, download code, set-up/download trend data, and backup, restore, or change unit configuration.

SD Card

An optional SD card can be factory configured. The SD card allows storage of data trending and configuration parameters. For further details see [page 86](#).

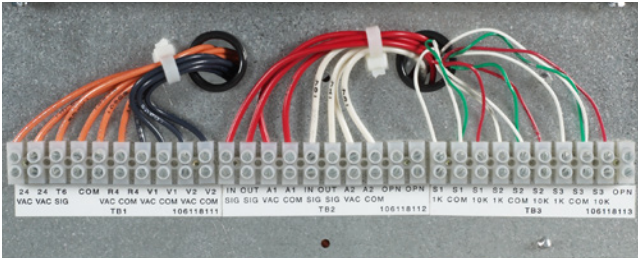
Note: A 6ft USB-A to USB-A cable can be purchased as an accessory. Part No. 910295895

Digital Ready Systems

For unit ventilator applications where controls are to be supplied by others, specifying a Digital Ready system can greatly simplify control installation.

Digital Ready systems come with a factory-installed, pre-wired package of selected Direct Digital Control (DDC) components. This greatly facilitates the field hook up of a DDC unit ventilator controller that is compatible with these components and that is capable of providing the standard ASHRAE II cycle.

Figure 27: Three 10-pole Europa Type 16 AWG Terminal Strips



Note: It is the responsibility of the control supplier to ensure the controls operate correctly and protect the unit.

Digital Ready systems include a non-fused power interrupt switch, a control power transformer, three-speed fan switch, damper actuator(s), sensors and other protection devices. The sensors and actuators are factory wired to a common terminal strip in the control compartment. For a detailed list of components see "Digital Ready Systems" on page 97.

Field Mounted Controls (By Others)

There are many advantages to having the basic temperature controls in Daikin units be MicroTech and factory-installed in the unit ventilator prior to shipment. However, factory installation of controls cannot always be achieved. In such cases, we will ship the unit without any temperature controls. It is the responsibility of the automatic temperature control supplier to provide a control package specifically for installation in the Daikin unit ventilator.

On units with the Field Mounted Controls option the unit will include a non-fused power interrupt switch and three-speed fan switch. Units with DX cooling, hot water or chilled water coils will also have a low limit thermostat.

Variable Airflow Control

An EC motor with optional "variable fan speed control" allows for MicroTech controls or a field-provided DDC controller to modulate the unit airflow between 50% and 100% of nominal unit airflow in a single zone variable air volume sequence. In continuous fan mode the benefits of Single Zone VAV include sound reduction, energy savings, and consistent and precise temperature control for improved comfort with better air mixing and less stratification. In humid climates, the ability to deliver a wide range of fan speeds is particularly effective for de-humidification.

Economizer Modes

Economizer operation is facilitated by the outdoor air damper, which automatically adjusts the above-minimum outside air position to provide free cooling when the outdoor air temperature is appropriate. Three levels of economizer control are available:

Basic Economizer Operation: The MicroTech controller compares the inside and outside temperatures. If the temperature comparison is satisfactory, then free-air economizer operation is used to cool the space. Reheat units also come configured with an indoor humidity sensor.

Expanded Economizer Operation: In addition to comparing inside and outside temperatures, outdoor relative humidity is measured to calculate outside air enthalpy. If the enthalpy set point is not exceeded, and the temperature comparison is satisfactory, then free economizer operation is used to cool the space. This helps to minimize the entrance of humid outside air.

Leading-Edge Economizer Operation: The MicroTech controller compares both indoor and outdoor temperatures and indoor and outdoor relative humidities. Then it calculates both inside and outside air enthalpy to determine if free economizer operation can cool the space with non-humid outside air. This is a true enthalpy economizer—a first for unit ventilators.

Demand Control Ventilation

The optional unit mounted, single beam absorption infrared gas sensor has a sensing range of 0 – 2000 ppm and voltage output of 0 to 10 VDC (100 ohm output impedance). The pitot tube sensing device is located in the unit ventilator's return air stream. The optional CO₂ sensor is used with the UVC's Demand Control Ventilation feature to vary the amount of outside air based on actual room occupancy. With network applications, the unit mounted sensor can be overridden by a remote sensor through the network.

Figure 28: Optional CO₂ Sensor



Unit Arrangements AL: 21-7/8" Deep With Accessories

AL arrangements can be configured to a 21-7/8" depth utilizing field-installed ductwork (by others) to allow for wall or piping considerations.

Figure 29: Arrangement AL With Accessories

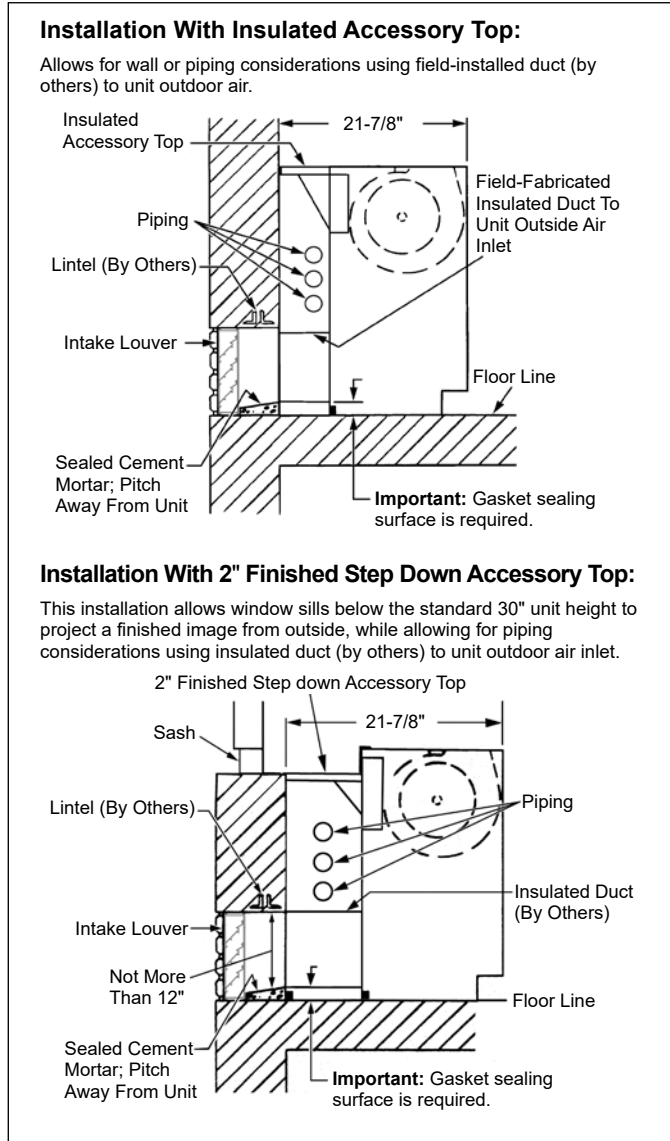
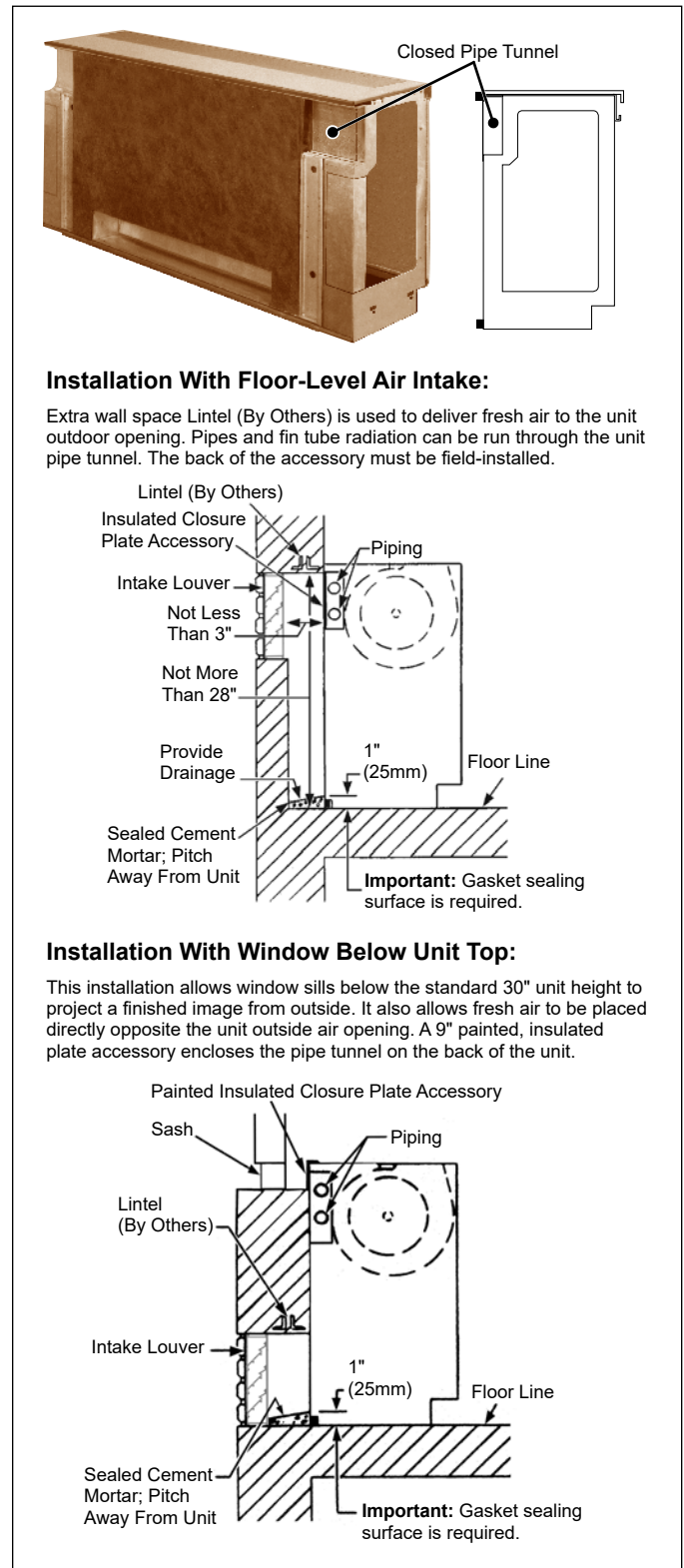


Figure 30: Arrangement AL With Closed Pipe Tunnel



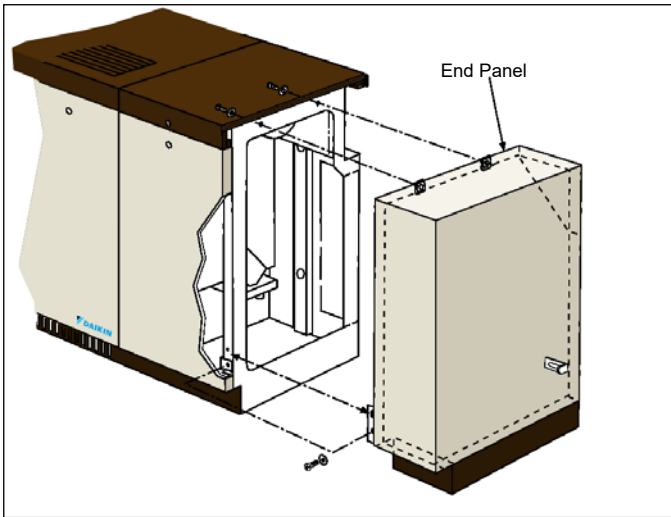
End Panels, Filler Sections & Sub Bases

Daikin end panels and sub-bases can be used to match up Daikin Applied unit ventilators with existing furniture or units, or with field-supplied storage, sink and bubbler cabinet offerings

End Panels

One-inch end panels are typically used to finish off stand-alone floor units. Six-inch end panels, with kick plates, can be used to provide extra space needed for piping (Figure 31). All end panels are individually wrapped in plastic and boxed to help prevent damage during construction.

Figure 31: End Panels (6" End Panel Shown)



Sub Bases

Daikin sub bases are used to provide additional height to floor unit ventilators so that they match up with the window sill or with existing cabinets (Figure 32).

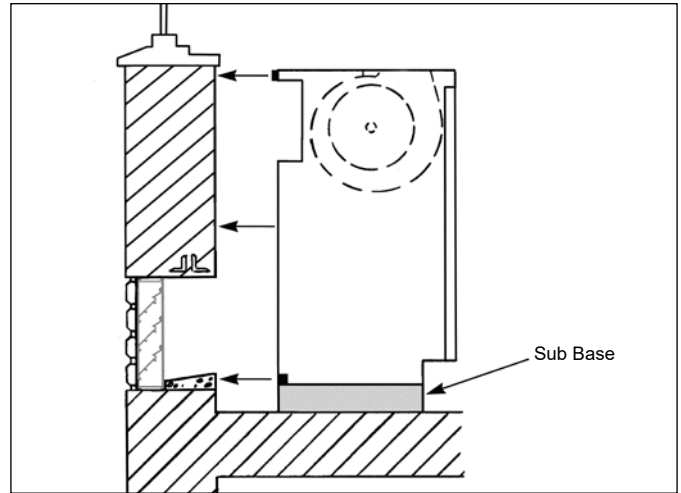
Note: Prior to 1968, unit ventilators came in 28, 30 and 34-inch heights. The industry then standardized on the 30-inch height of the current Daikin Applied unit.

Sub bases can also be used to raise the outside air opening above floor level to reduce blockage of outside louvers and reduce louver soiling from rain splash.

They are available in 1, 2, 4, 6 and 12-inch heights with a depth of either 16-5/8" or 21-7/8". The unit ventilator's leg levelers can also be used to level the entire unit/sub-base assembly, compensating for uneven floors.

Sub bases have an Oxford brown, baked, thermal-setting urethane powder paint finish that matches the unit's bottom section and withstands cleaning of floors.

Figure 32: Sub Base

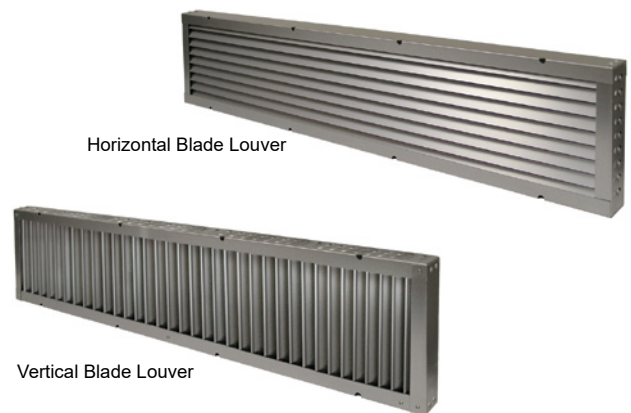


Wall Louvers & Grilles

Daikin wall louvers allow outdoor air to be drawn in while blending with the building architecture. They are sized to match the unit outside air opening and provide maximum air intake. Heavy-gauge, all-aluminum construction is standard, with a decorative grille optional.

Both louvers and grilles are available either painted or unpainted. When painted, a specially formulated, environmentally friendly thermosetting urethane powder is applied electrostatically and baked for long lasting beauty as well as resistance to corrosion. The paint is then oven cured to provide correct chemical cross-linking, which can provide years of service. Louvers and grilles are constructed of 6063-T6 aluminum and are suitable for color anodizing by others.

Figure 33: Intake Louvers



Louver Details

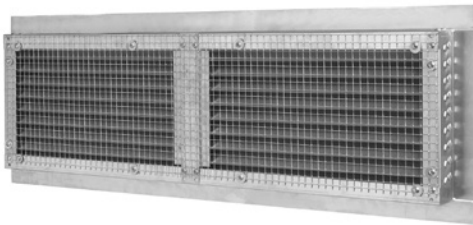
Louvers are available in both horizontal and vertical blade configurations (Figure 33 on page 28):

- **Horizontal blade construction** turns the incoming air to keep moisture from entering. Bottom weep holes drain moisture to the outside.
- **Vertical-blade construction** provides positive water impingement and entrapment. The bottom lip drains moisture to the outside.

Louvers can be supplied with or without flanges

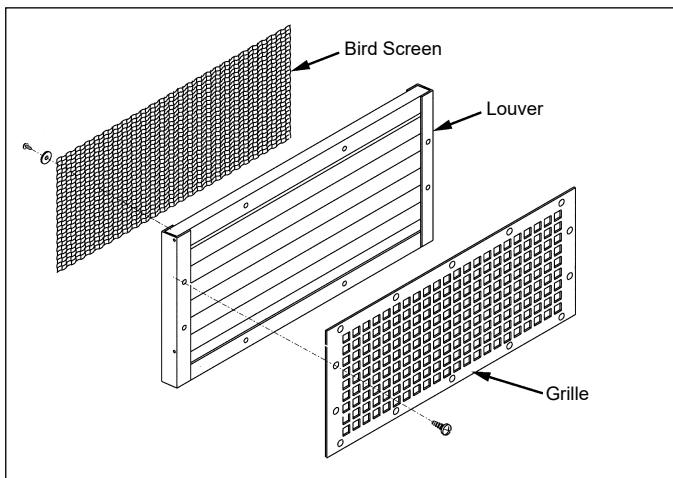
- **Flanged louvers** are typically used for a panel wall finish (Figure 34).
- **Unflanged louvers** are typically used for recessing into a masonry wall.

Figure 34: Flanged Louver (Indoor View)



A diamond pattern mesh bird screen (Figure 35) located on the leaving air side of the louver prevents birds and other small animals from entering. The screen's strong aluminum mesh is designed to minimize air pressure drops, unlike expanded metal mesh.

Figure 35: Louver Assembly With Grille



Grille Details

Daikin decorative intake grilles come in either painted or unpainted heavy-gauge 6063-T6 extruded aluminum with holes for mounting to building exteriors (Figure 36). Their square holes are designed to match the blades of the Daikin louver, maximizing the air opening (Figure 38 on page 30).

Figure 36: Decorative Intake Grille

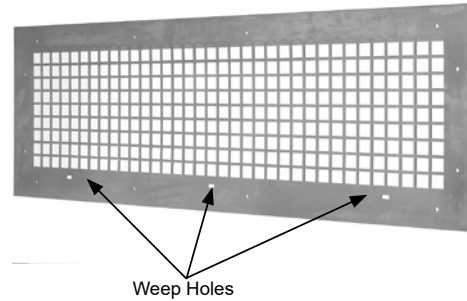


Figure 37: Horizontal Louver with Decorative Intake Grille

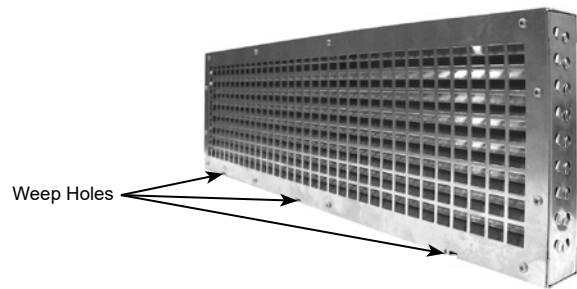
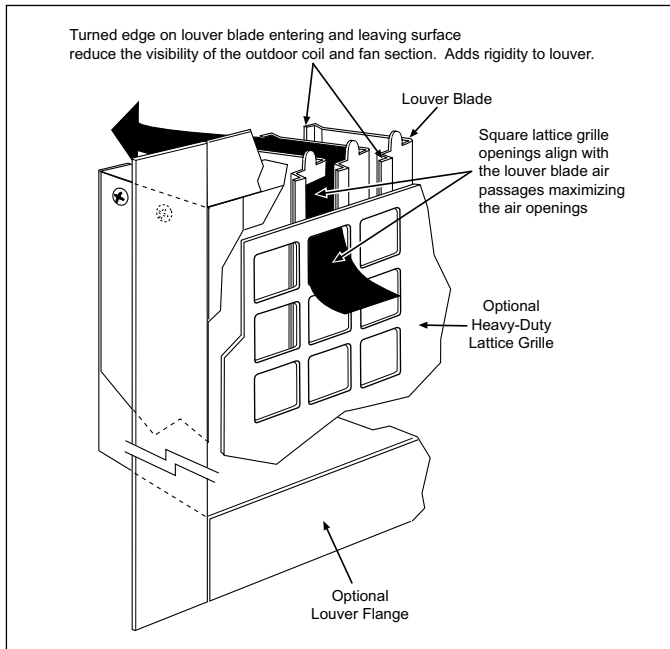


Figure 38: Vertical Louver with Decorative Intake Grille Detail



VentiMatic™ Shutter – Room Exhaust Ventilation

Outdoor air introduced by the unit ventilator must leave the room in some way. In some states, exhaust vents are required by law or code to accomplish this. The VentiMatic shutter is a more economical solution to the problem.

The VentiMatic shutter is a continuously variable, gravity-actuated room exhaust vent (Figure 39). It operates in direct response to positive static air pressure created when ventilation air is brought into the room by the unit ventilator. It is a “one-way” shutter that opposes any flow of air into the room.

Figure 39: VentiMatic Shutter



The VentiMatic Shutter’s ability to exhaust only the amount of air required results in considerable energy savings. In the heating mode, the unit ventilator will be able to bring in only the required percent minimum outdoor air. Unlike systems that rely on powered exhaust, no energy will be wasted heating excess outdoor air. In the cooling mode, the unit ventilator will be able to bring in 100% outdoor air for full natural or free cooling when it is energy effective.

Since it is not powered, VentiMatic Shutter’s operation is inherently silent. Unlike other non-powered vents, it opens at an extremely low positive pressure (0.005”). Its shutter

flaps are made of temperature-resistant glass fabric impregnated with silicone rubber for flexibility and long life. This fabric retains its original properties down to -50°F.

Window Downdraft Protection

Downdrafts can be generated in classrooms with relatively large windows during prolonged periods of cold outside temperatures. For comfort during such conditions, provide some form of downdraft protection.

Window downdraft protection is recommended for classrooms where the following conditions exist:

- Window area exceeds 40% of the total outside wall area.
- Single-pane glass is used.
- Outside temperatures are below 35°F for a significant portion of the occupied period.

The need for window downdraft protection will not always be so clear cut. Where uncertainty exists, a further check can be made by calculating the window heat loss at an outdoor temperature of 35°F. If estimated window heat loss exceeds 250 BTUH/ft, window downdraft protection is recommended. If estimated window heat loss is less than 250 BTUH/ft, the need for downdraft protection is marginal but should not be arbitrarily dismissed.

DraftStop™ Downdraft Protection

The Daikin Applied DraftStop System is one of the best systems available to address the downdraft problem. This unique system intercepts falling cold air at the window sill level and recirculates it back to the unit ventilator (Figure 40). It then enters the unit’s air stream through the room air damper and becomes part of the normal air circulation pattern. This is accomplished by blocking the return air grille at the front of the unit ventilator to cause the return air to be drawn in through the ends of the unit. Our DraftStop system can be employed even in marginal applications to provide occupant comfort without the material installation and operating costs associated with auxiliary radiation.

Figure 40: DraftStop Window Downdraft Protection

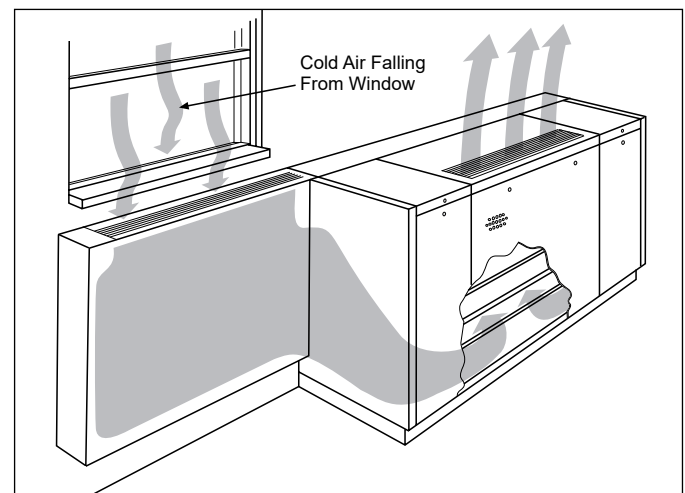
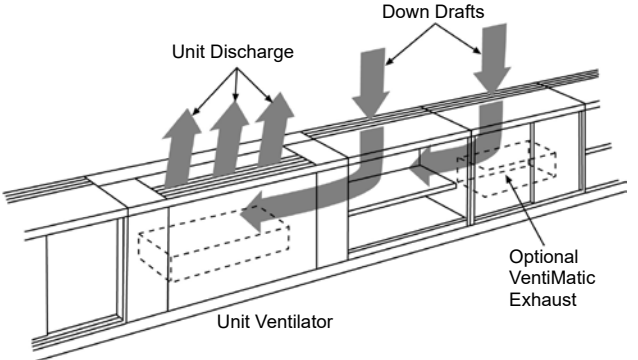
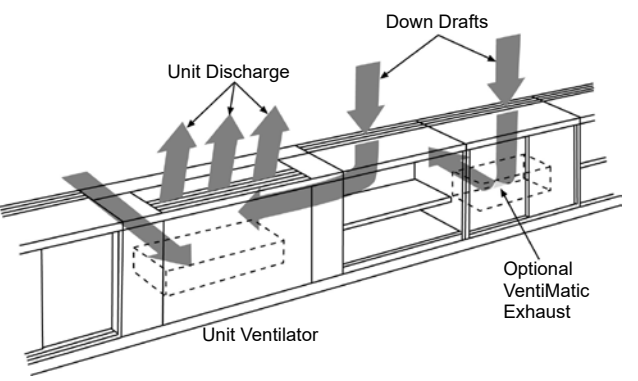
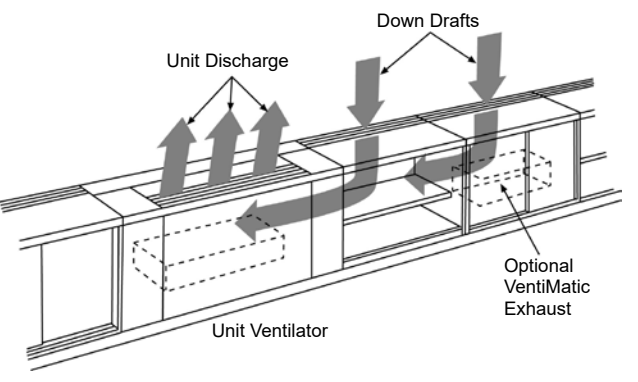


Figure 41: How DraftStop Works

<p>Morning Warm-Up</p> <p>During this period, no outdoor air is admitted. The cold air from the windows flows into the DraftStop slot and is drawn toward the unit ventilator. This air enters the unit through the room air damper, passes through the heating element and is discharged into the room.</p>	
<p>Normal Operation</p> <p>During much of the day, the unit ventilator circulates a mixture of outdoor air and room air, proportioned to maintain thermal comfort in the classroom. The return air continues to be drawn off the windows, providing the DraftStop action.</p> <p>We now see the impact of the optional VentiMatic gravity exhaust, concealed behind the cabinets. It allows air to be expelled to the outdoors. This prevents excessive room pressurization, which would interfere with the ventilation cooling capability of the unit. This exhaust action also enhances the DraftStop effect since the air to be exhausted is forced into the DraftStop slot at sill level.</p>	
<p>Maximum Ventilation Cooling</p> <p>During these periods, the unit ventilator will operate with the outdoor air damper fully open. In this mode, there will be little or no return air to the unit and little or no DraftStop action.</p> <p>The unit ventilator will not operate at maximum ventilation cooling when the outdoor temperature is low enough to create cold window downdraft conditions. Therefore, the lack of DraftStop action is of no consequence. The optional VentiMatic exhaust continues to provide an effective means of relieving the room of excess pressure.</p>	

Models AVS, AVB, AVV and AVR
Table 6: AV General Data

		S07 / H07	V07	S10 / H10	V10	S13 / H13	V13	S15 / H15	V15	
Fan Data	Nominal CFM¹ (L/s)	High Speed	750 (354)	–	1000 (472)	–	1250 (590)	–	1500 (708)	–
		Max. Speed	–	750 (354)	–	1000 (472)	–	1250 (590)	–	1500 (708)
		Med. Speed	650 (307)	–	890 (420)	–	1090 (514)	–	1320 (623)	–
		Min. Speed	–	375 (177)	–	500 (236)	–	625 (295)	–	750 (354)
		Low Speed	525 (248)	–	760 (359)	–	930 (439)	–	1120 (529)	–
	Number of Fans:		2		3		4		4	
	Size	Diameter - in. (mm)	8.12 (206mm)		8.12 (206mm)		8.12 (206mm)		8.12 (206mm)	
		Width- in. (mm)	8.25 (210mm)		8.25 (210mm)		8.25 (210mm)		8.25 (210mm)	
	Motor HP	PSC	S07-S15		1/4					
		ECM	H07-H15		1/3					
V07-V15										
Filter Data	Nominal Size	in.	10 x 36-1/2 x 1		10 x 48-1/2 x 1		10 x 60-1/2 x 1		10 x 36-1/2 x 1	
		(mm)	254 x 927 x 25		254 x 1232 x 25		254 x 1537 x 25		254 x 927 x 25	
	Area - Ft² (m²)		2.54 (.24)		3.37 (.31)		4.2 (.39)		5.08 (.47)	
	Quantity		1		1		1		2	
Shipping Weight	16-5/8" Deep Units - lb (kg)		350 (168)		425 (193)		495 (225)		570 (259)	
	21-7/8" Deep Units - lb (kg)		370 (163)		445 (202)		525 (238)		600 (272)	
Shipping Size (Carton & Pallet) in. (mm)			67L x 23W x 36.39H (1702 x 584 x 924)		79L x 23W x 36.39H (2007 x 584 x 924)		91L x 23W x 36.39H (2311 x 584 x 924)		103L x 23W x 36.39H (2616 x 584 x 924)	
Coil Water Volume Gallons (Liters)	1 Row Coil		0.25 (0.95)		0.31 (1.17)		0.38 (1.44)		0.44 (1.67)	
	2 Row Coil		0.45 (1.70)		0.57 (2.16)		0.69 (2.61)		0.82 (3.10)	
	3 Row Coil		0.64 (2.42)		0.82 (3.10)		1.01 (3.82)		1.19 (4.50)	
	4 Row Coil		0.83 (3.14)		1.08 (4.09)		1.32 (5.00)		1.57 (5.94)	
	5 Row Coil		1.03 (3.90)		1.34 (5.07)		1.64 (6.21)		1.95 (7.38)	

¹ Nominal airflow based on 3-row coil configuration

16-5/8" Deep Unit Arrangements

Figure 42: Arrangement AL with Open Pipe Tunnel, 16-5/8" Deep

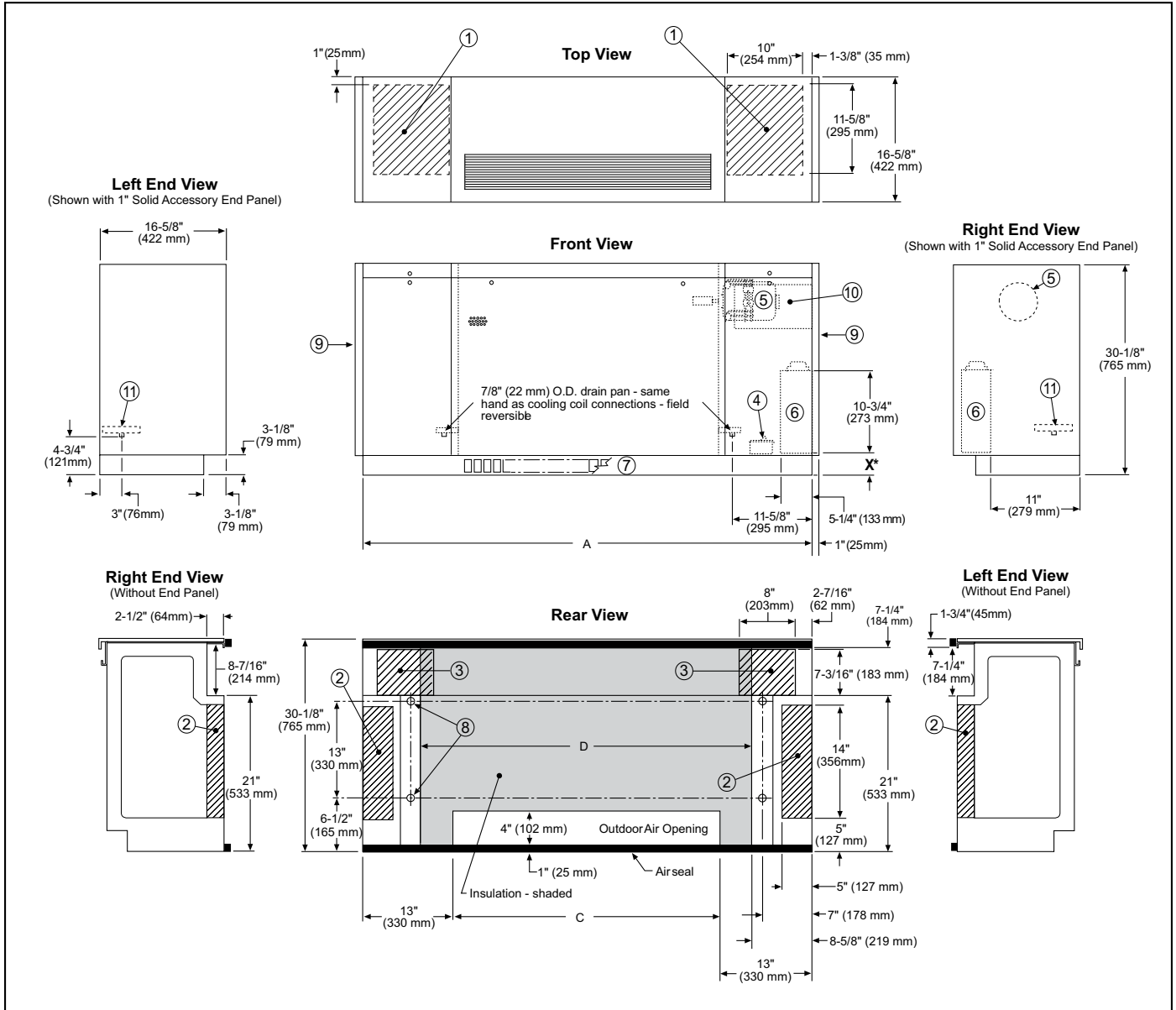


Table 7: Dimensions A, B, C and Drawing Notes

Unit Size	Dimensions in inches. (mm)			Drawing Notes (①, *, etc.)
	A	B	C	
AV 07	62 (1575)	43 (1092)	36 (914)	1 Bottom entry within 10" x 11-5/8" (254 mm x 295 mm) area 2 Rear entry area 14" x 5" (356 mm x 127 mm). 3 Opening between pipe tunnel & end compartment. 4 Disconnect Switch for main power wiring. 5 Fan motor. 6 Electrical connection box. 7 Slotted kickplate for return air arrangements; partially open kickplate for draftstop arrangements. 8 (4) - 7/8" (22 mm) diameter holes in back for anchoring unit to wall. 9 Accessory panels not included with unit, order separately as an accessory. 10 Controls location (MicroTech units only). 11 Drain Pan. X = 3.88" for units with MicroTech controls. X = 14.43" for all other control options.
AV 10	74 (1880)	55 (1397)	48 (1219)	
AV 13	86 (2184)	67 (1702)	60 (1524)	
AV 15	98 (2489)	79 (2007)	72 (1829)	

21-7/8" Deep Unit Arrangements

Figure 43: Arrangement AK – Partial Adapter Back with Open Pipe Tunnel, 21-7/8" Deep

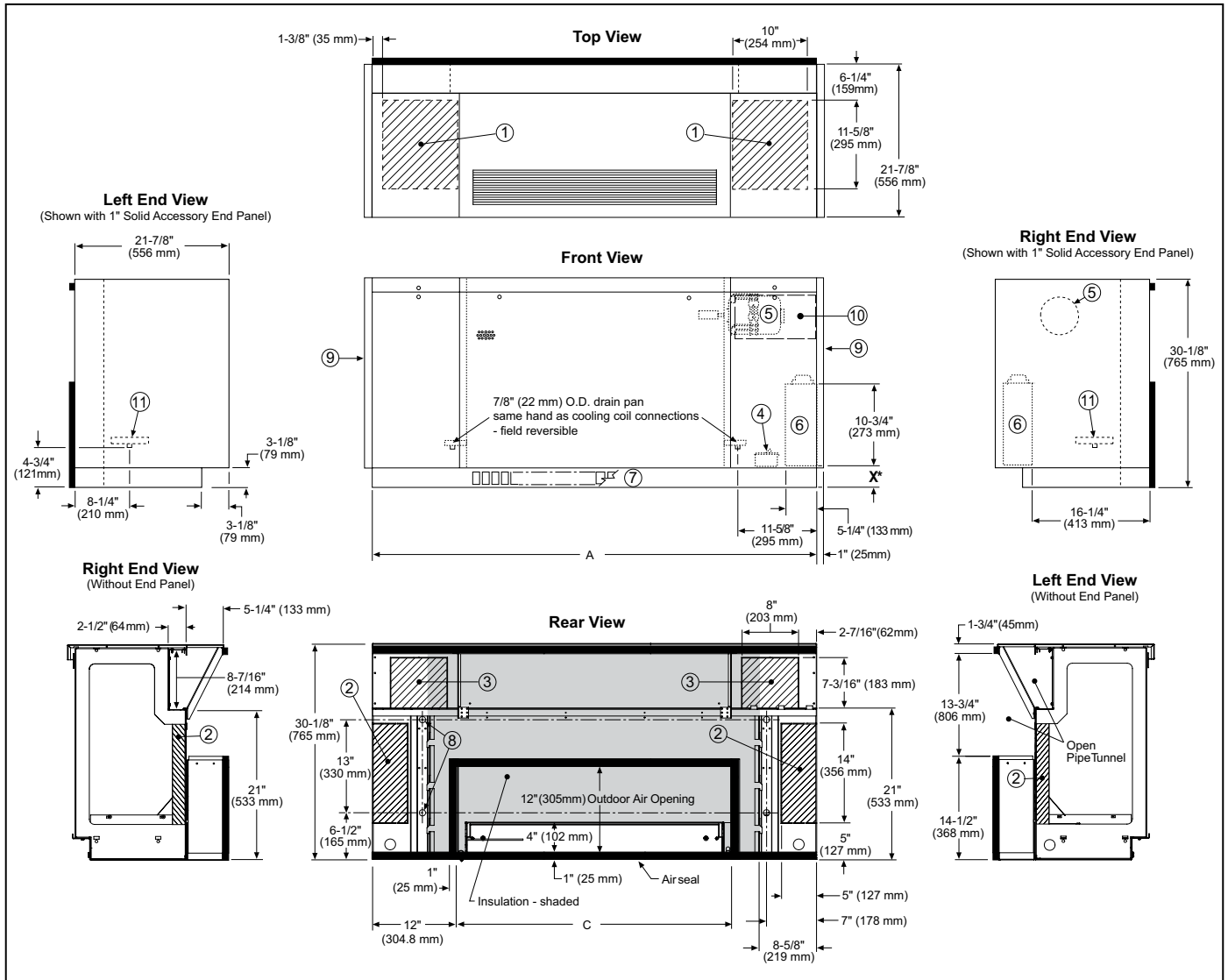


Table 8: Dimensions A, C and Drawing Notes

Unit Size	Dimensions in inches. (mm)		Drawing Notes (①, *, etc.)
	A	C	
AV 07	62 (1575)	38 (965)	1 Bottom entry within 10" x 11-5/8" (254 mm x 295 mm) area 2 Rear entry area 14" x 5" (356 mm x 127 mm). 3 Opening between pipe tunnel & end compartment. 4 Disconnect Switch for main power wiring. 5 Fan motor. 6 Electrical connection box. 7 Slotted kickplate for return air arrangements; partially open kickplate for draftstop arrangements. 8 (4) - 7/8" (22 mm) diameter holes in back for anchoring unit to wall. 9 Accessory panels not included with unit, order separately as an accessory. 10 Controls location (MicroTech units only). 11 Drain Pan. X = 3.88" for units with MicroTech controls. X = 14.43" for all other control options.
AV 10	74 (1880)	50 (1270)	
AV 13	86 (2184)	62 (1575)	
AV 15	98 (2489)	74 (1880)	

Figure 44: Arrangement AN – Full Adapter Back with Closed Pipe Tunnel, 21-7/8" Deep

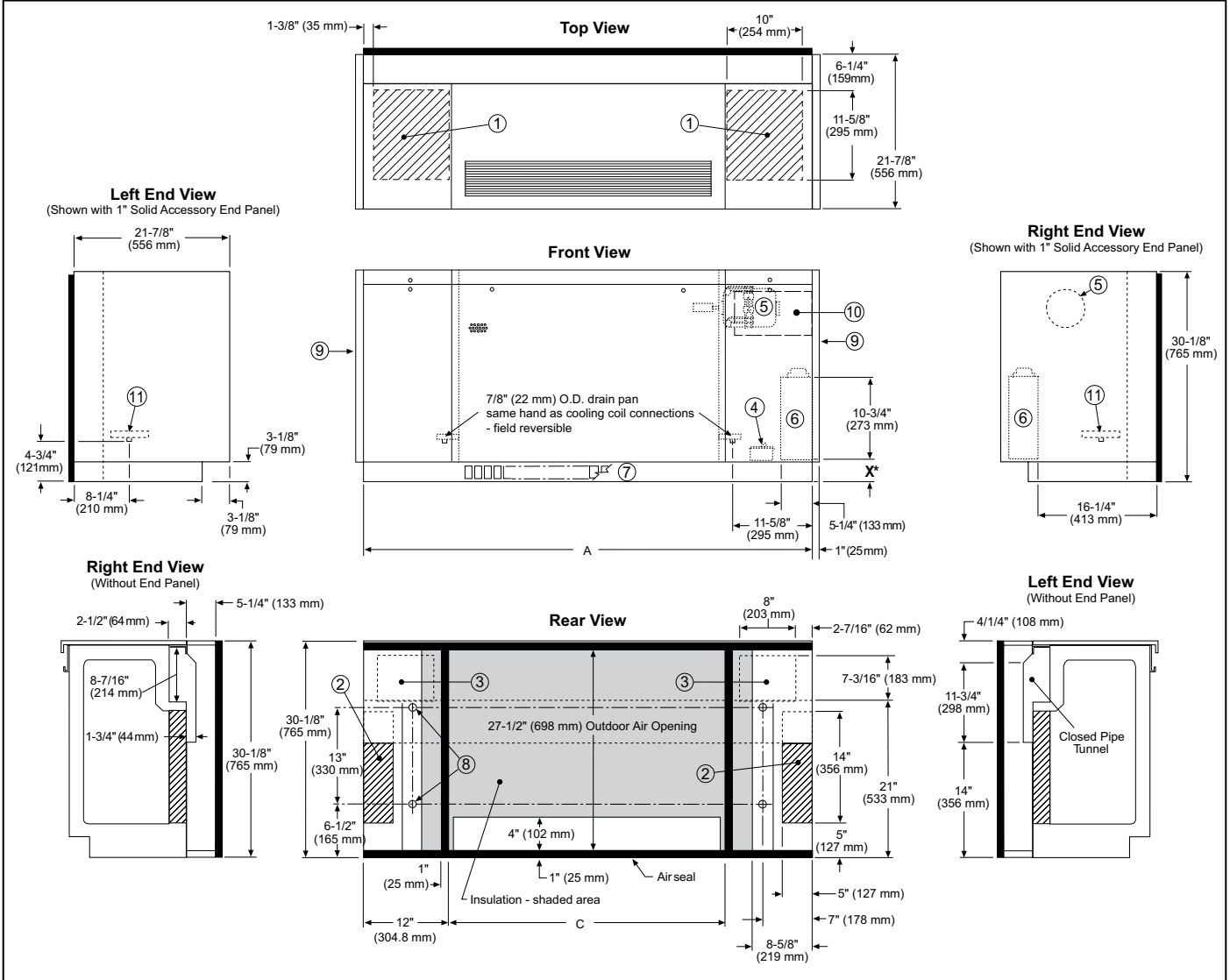


Table 9: Dimensions A, C and Drawing Notes

Unit Size	Dimensions in inches. (mm)		Drawing Notes (①, *, etc.)
	A	C	
AV 07	62 (1575)	38 (965)	1 Bottom entry within 10" x 11-5/8" (254 mm x 295 mm) area 2 Rear entry area 14" x 5" (356 mm x 127 mm). 3 Opening between pipe tunnel & end compartment. 4 Disconnect Switch for main power wiring. 5 Fan motor. 6 Electrical connection box. 7 Slotted kickplate for return air arrangements; partially open kickplate for draftstop arrangements. 8 (4) - 7/8" (22 mm) diameter holes in back for anchoring unit to wall. 9 Accessory panels not included with unit, order separately as an accessory. 10 Controls location (MicroTech units only). 11. Drain Pan. X = 3.88" for units with MicroTech controls. X = 14.43" for all other control options.
AV 10	74 (1880)	50 (1270)	
AV 13	86 (2184)	62 (1575)	
AV 15	98 (2489)	74 (1880)	

Figure 45: Arrangement AM – Full Adapter Back with 2" Step Down; Closed Pipe Tunnel, 21-7/8" Deep

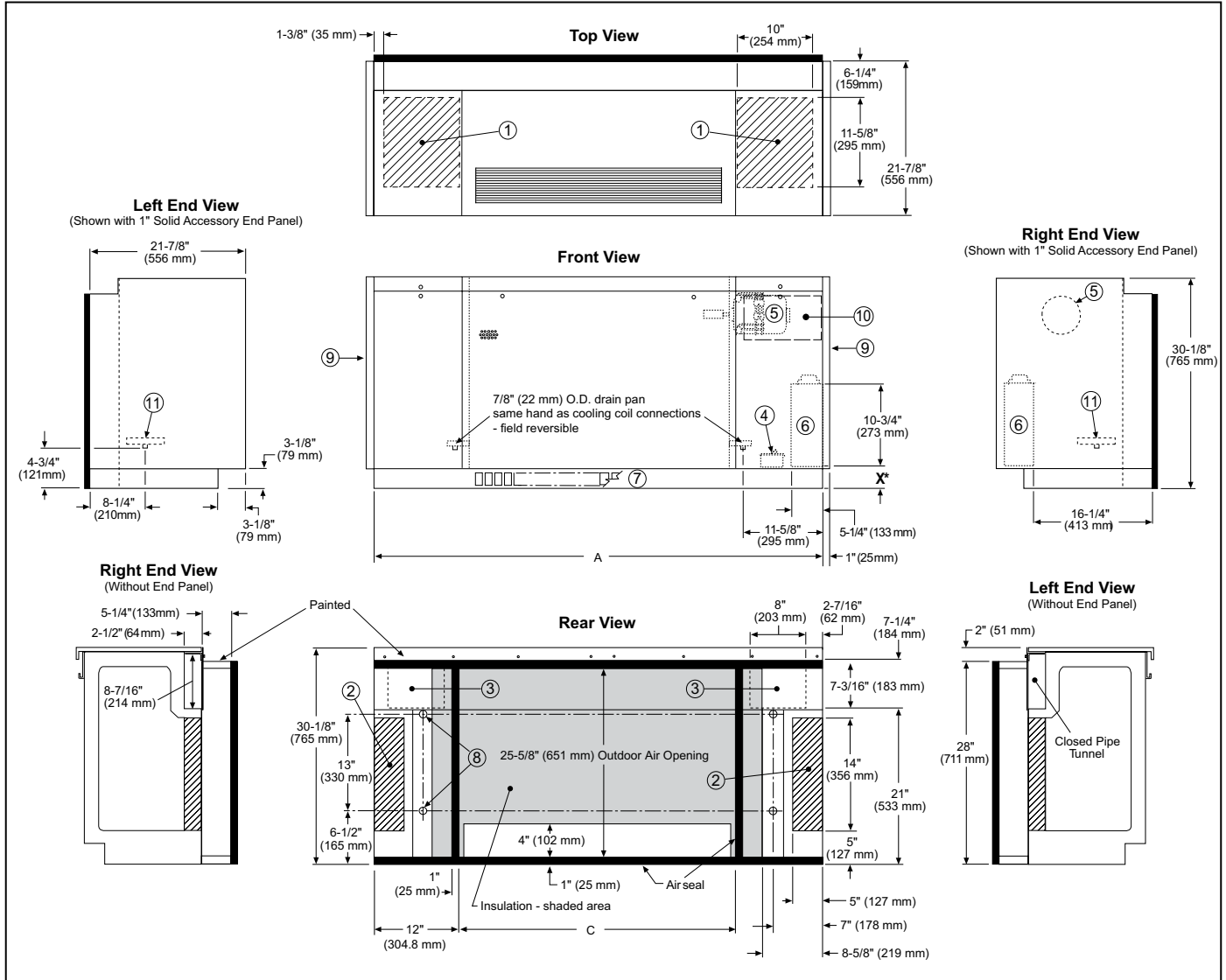


Table 10: Dimensions A, C and Drawing Notes

Unit Size	Dimensions in inches. (mm)		Drawing Notes (①, *, etc.)
	A	C	
AV 07	62 (1575)	38 (965)	1 Bottom entry within 10" x 11-5/8" (254 mm x 295 mm) area 2 Rear entry area 14" x 5" (356 mm x 127 mm). 3 Opening between pipe tunnel & end compartment. 4 Disconnect Switch for main power wiring. 5 Fan motor. 6 Electrical connection box. 7 Slotted kickplate for return air arrangements; partially open kickplate for draftstop arrangements. 8 (4) - 7/8" (22 mm) diameter holes in back for anchoring unit to wall. 9 Accessory panels not included with unit, order separately as an accessory. 10 Controls location (MicroTech units only). 11. Drain Pan. X = 3.88" for units with MicroTech controls. X = 14.43" for all other control options.
AV 10	74 (1880)	50 (1270)	
AV 13	86 (2184)	62 (1575)	
AV 15	98 (2489)	74 (1880)	

Figure 46: Arrangement AB – Full Adapter Back, Closed Pipe Tunnel with Solid Back 21-7/8" Deep

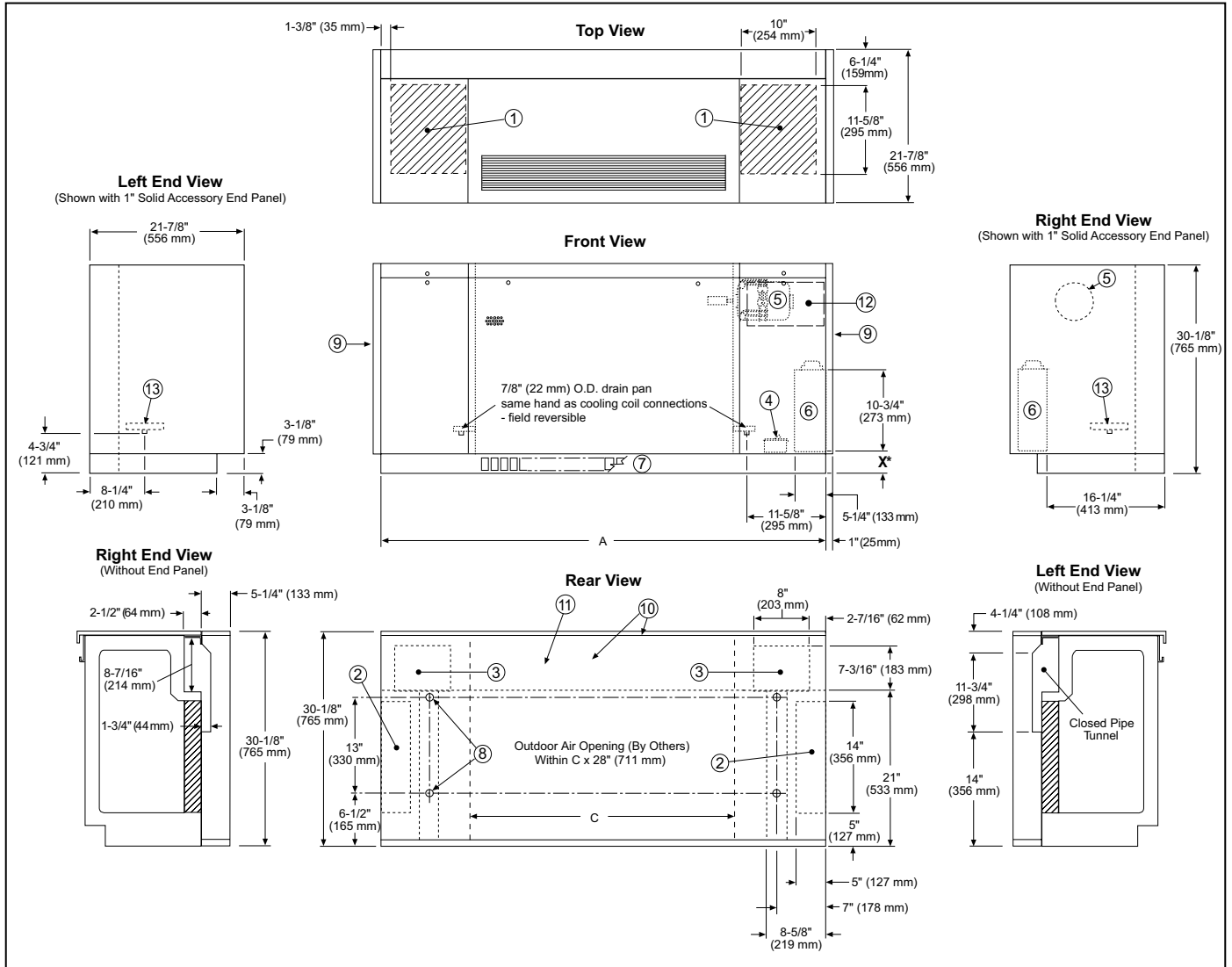


Table 11: Dimensions A, C and Drawing Notes

Unit Size	Dimensions in inches. (mm)		Drawing Notes (①, *, etc.)
	A	C	
AV 07	62 (1575)	38 (965)	1 Bottom entry within 10" x 11-5/8" (254 mm x 295 mm) area 2 Rear entry area 14" x 5" (356 mm x 127 mm). 3 Opening between pipe tunnel & end compartment. 4 Disconnect Switch for main power wiring. 5 Fan motor. 6 Electrical connection box. 7 Slotted kickplate for return air arrangements; partially open kickplate for draftstop arrangements. 8 (4) - 7/8" (22 mm) diameter holes in back for anchoring unit to wall. 9 Accessory panels not included with unit, order separately as an accessory. 10 Insulated top and back of unit and outside air section of adapter back. 11 Full metal plate across entire back. 12 Controls location (MicroTech units only). 13 Drain Pan. X = 3.88" for units with MicroTech controls. X = 14.43" for all other control options.
AV 10	74 (1880)	50 (1270)	
AV 13	86 (2184)	62 (1575)	
AV 15	98 (2489)	74 (1880)	

Figure 47: Arrangement AP – Full Adapter Back; Top Intake, Closed Pipe Tunnel, 21-7/8" Deep

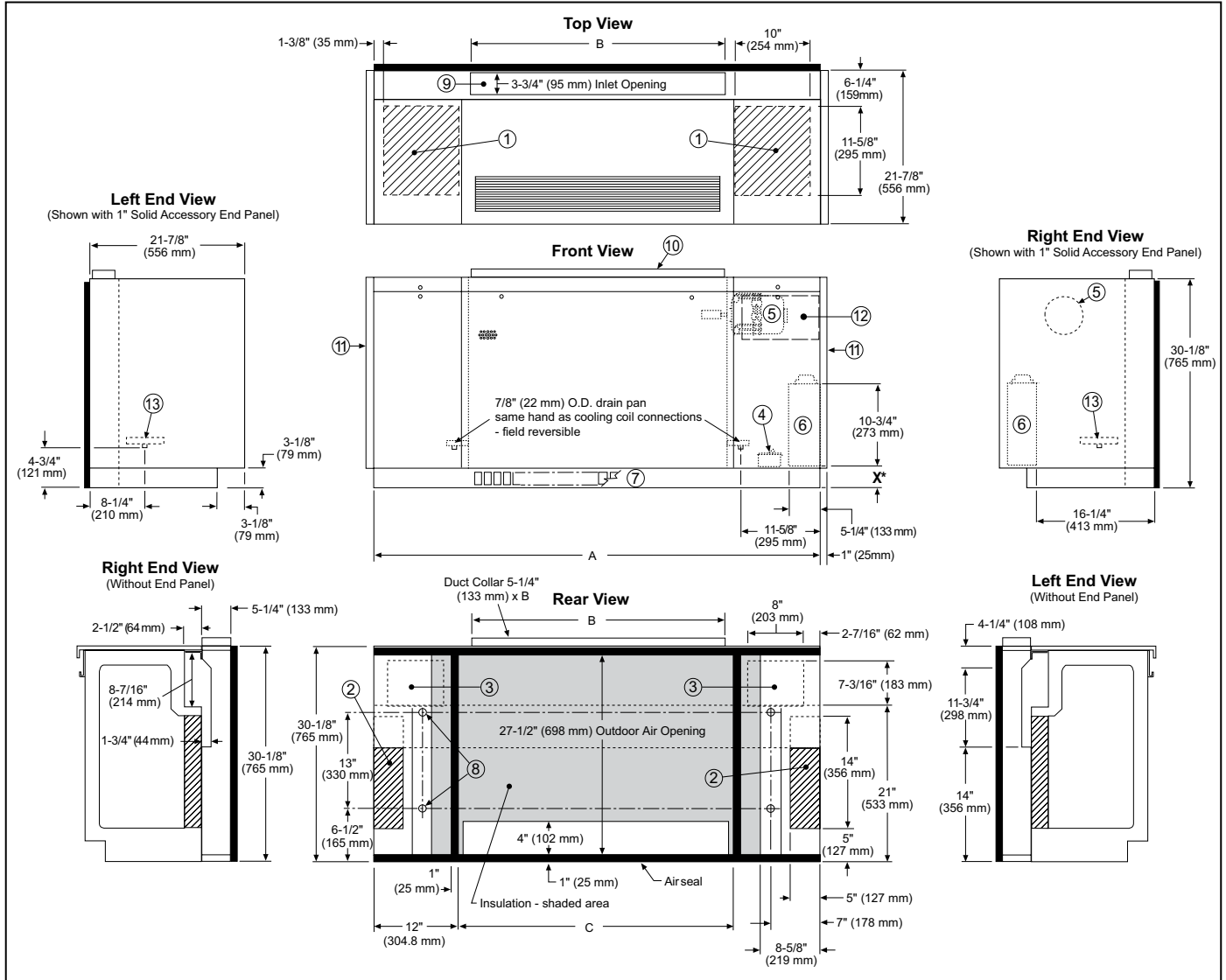


Table 12: Dimensions A, B, C and Drawing Notes

Unit Size	Dimensions in inches. (mm)			Drawing Notes (①, *, etc.)
	A	B	C	
AV 07	62 (1575)	36 (914)	38 (965)	1 Bottom entry within 10" x 11-5/8" (254 mm x 295 mm) area 2 Rear entry area 14" x 5" (356 mm x 127 mm). 3 Opening between pipe tunnel & end compartment. 4 Disconnect Switch for main power wiring. 5 Fan motor. 6 Electrical connection box. 7 Slotted kickplate for return air arrangements; partially open kickplate for draftstop arrangements. 8 (4) - 7/8" (22 mm) diameter holes in back for anchoring unit to wall. 9 Top duct outdoor air opening. 10 Top duct collar. 11 Accessory panels not included with unit, order separately as an accessory. 12 Controls location (MicroTech units only). 13. Drain Pan. X = 3.88" for units with MicroTech controls. X = 14.43" for all other control options.
AV 10	74 (1880)	48 (1219)	50 (1270)	
AV 13	86 (2184)	60 (1524)	62 (1575)	
AV 15	98 (2489)	72 (1829)	74 (1880)	

Unit Arrangement Accessories

Figure 48: Arrangement AL with Closed Pipe Tunnel, 16-5/8" Deep

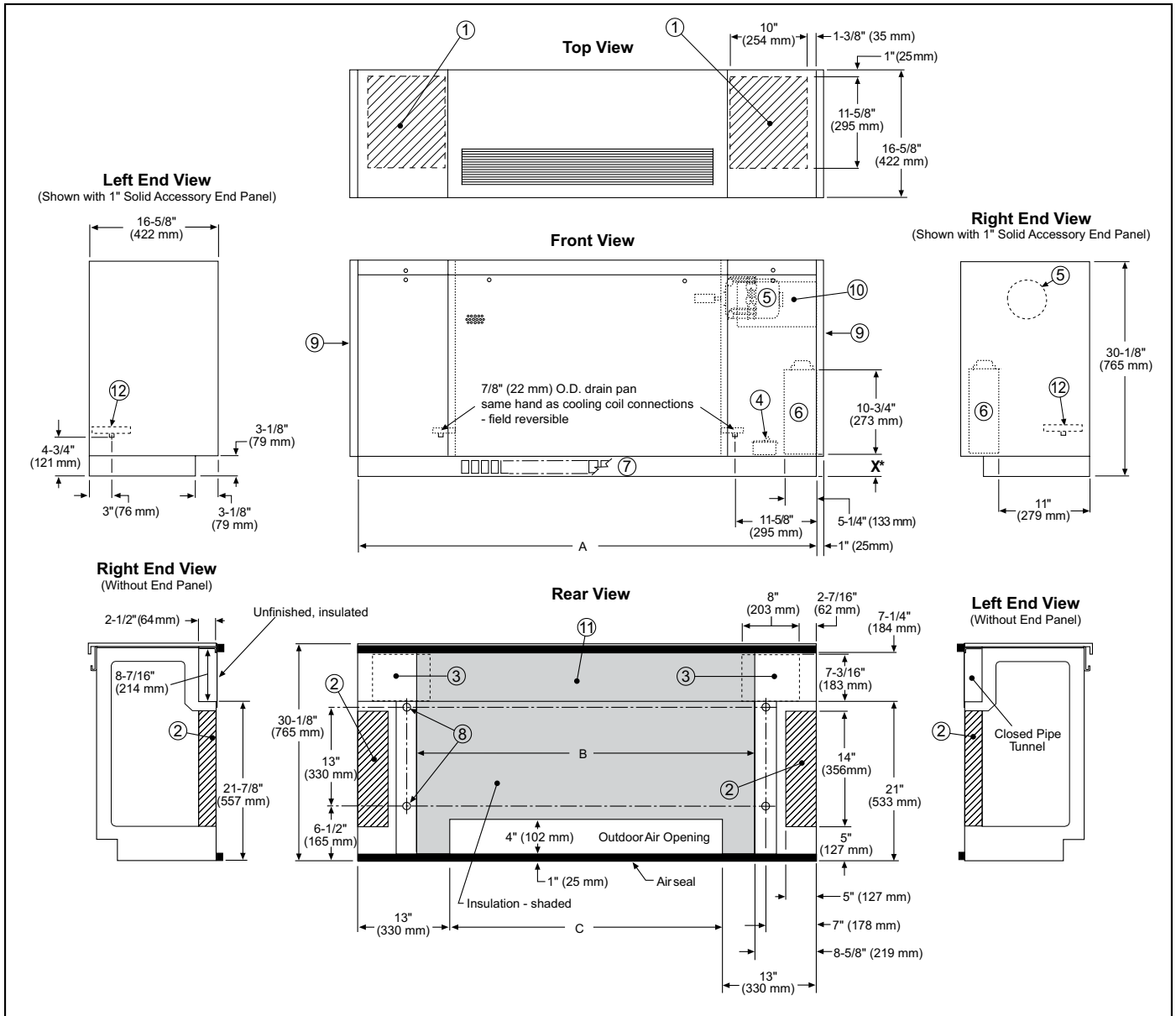


Table 13: Dimensions A, B, C and Drawing Notes

Unit Size	Dimensions in inches. (mm)			Drawing Notes (①, *, etc.)
	A	B	C	
AV 07	62 (1575)	43 (1092)	36 (914)	1 Bottom entry within 10" x 11-5/8" (254 mm x 295 mm) area. 2 Rear entry area 14" x 5" (356 mm x 127 mm). 3 Opening between pipe tunnel & end compartment. 4 Disconnect Switch for main power wiring. 5 Fan motor. 6 Electrical connection box. 7 Slotted kickplate for return air arrangements; partially open kickplate for draftstop arrangements. 8 (4) - 7/8" (22 mm) diameter holes in back for anchoring unit to wall. 9 Accessory panels not included with unit, order separately as an accessory. 10 Controls location (MicroTech units only). 11 Unfinished insulated back. 12 Drain pan. X = 3.88" for units with MicroTech controls. X = 14.43" for all other control options.
AV 10	74 (1880)	55 (1397)	48 (1219)	
AV 13	86 (2184)	67 (1702)	60 (1524)	
AV 15	98 (2489)	79 (2007)	72 (1829)	

Unit Arrangement Accessories (Continued)

Figure 49: Arrangement AL with 9" Finished Back, Closed Pipe Tunnel, 16-5/8" (422mm) Deep

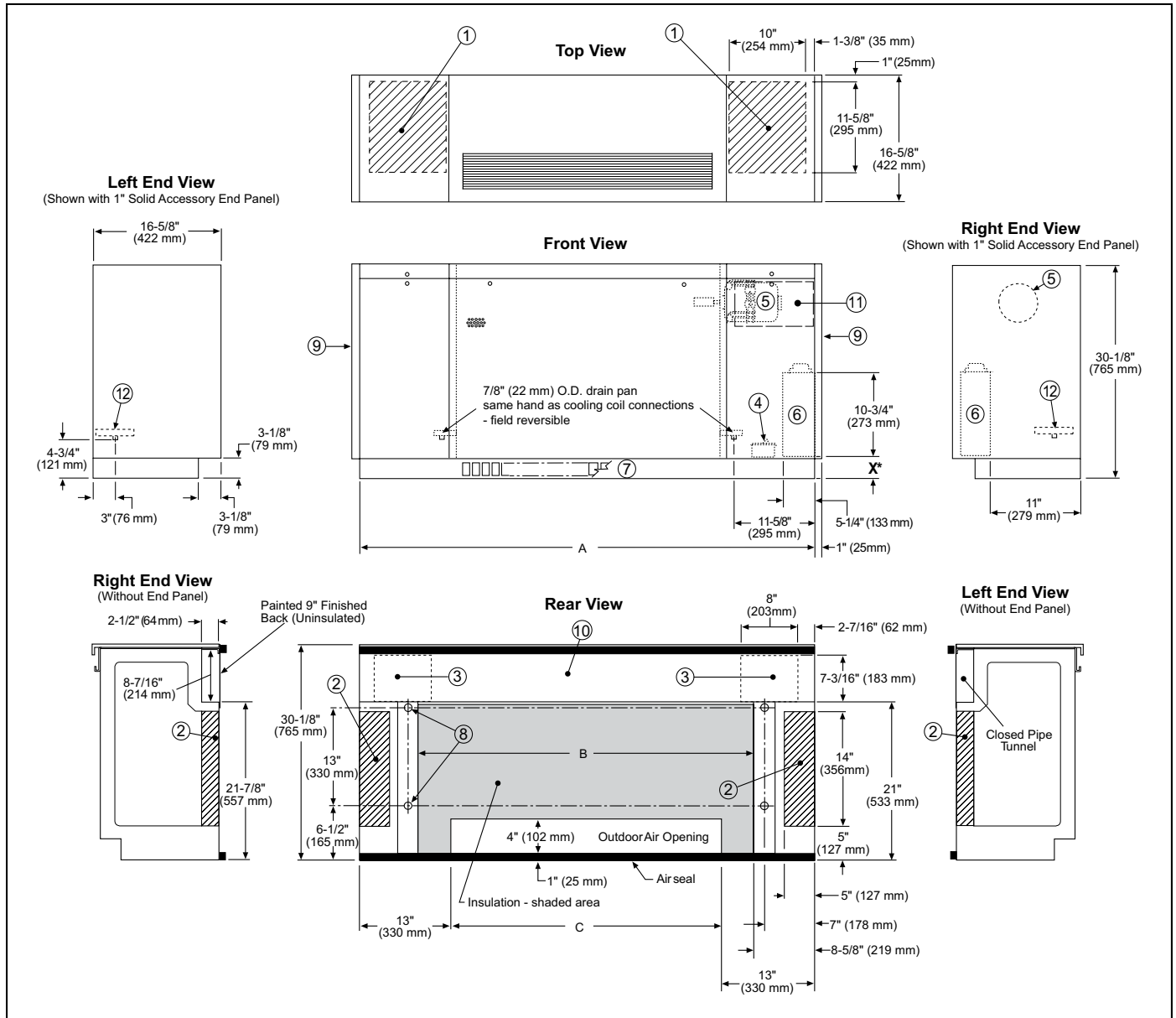


Table 14: Dimensions A, B, C and Drawing Notes

Unit Size	Dimensions in inches. (mm)			Drawing Notes (①, *, etc.)
	A	B	C	
AV 07	62 (1575)	43 (1092)	36 (914)	1 Bottom entry within 10" x 11-5/8" (254 mm x 295 mm) area 2 Rear entry area 14" x 5" (356 mm x 127 mm). 3 Opening between pipe tunnel & end compartment. 4 Disconnect Switch for main power wiring. 5 Fan motor. 6 Electrical connection box. 7 Slotted kickplate for return air arrangements; solid kickplate for draftstop arrangements. 8 (4) - 7/8" (22 mm) diameter holes in back for anchoring unit to wall. 9 Accessory panels not included with unit, order separately as an accessory. 10 9" (229 mm) Finished back, (painted, uninsulated). 11 Controls location (MicroTech units only). 12 Drain Pan. X = 3.88" for units with MicroTech controls. X = 14.43" for all other control options.
AV 10	74 (1880)	55 (1397)	48 (1219)	
AV 13	86 (2184)	67 (1702)	60 (1524)	
AV 15	98 (2489)	79 (2007)	72 (1829)	

General

The dimensional drawings in this section show the location of coil connections for all coil configurations. The drawings are broken into sections as follows:

- “Heat/Cool Units” on [page 42](#)
- “Reheat Units” on [page 44](#)
- “Heating Only Units” on [page 46](#)
- “Cooling Only Units” on [page 46](#)

[Table 15](#) below provides the dimensions that are called out by letter in the drawings.

The following notes apply to all units:

1. All coils have same-end supply and return connections.
2. Steam coils have a factory-installed pressure equalizing valve and a 24" (610mm) long pressure equalizing line which terminates in a 1/2" M.P.T. fitting.
3. Steam/hot water connections may be on the same end as cooling coil connections, but are recommended to be on the opposite end to facilitate piping. (Must be opposite end when using MicroTech controls.) See Note on [page 42](#) and [page 44](#).
4. Cooling condensate drain pan is shipped sloped down towards the cooling coil connections, but is field-reversible.
5. Electric heating coil power connections are right end only. Junction box has 1" (25mm) and 2" (51mm) (trade size) knockouts, 10-1/2" (267mm) from right end of the unit.
6. For limitations with coil combinations see "[Available Coil Combinations](#)" on [page 21](#).
7. Coil connections are 7/8" I.D. (female) and terminate 9" (229mm) from the end of the unit.
8. Steam coils are 1-1/8" female (sweat) connections and terminate 9" (229mm) from the end of the unit. DX coils (G) have O.D. sweat connections. Interconnecting tube is supplied by others. See [Table 16: DX Coil \(G\) Connection Tubing](#)" below for correct tubing size.
9. All dimensions are approximate.

Table 15: Coil Connection Dimensions For Lettered Values

Unit Depth		Dimensions										
		A	B	C	D	E	F	G	H	I	J	K
in.	16-5/8	3-3/4	12-1/4	4-7/8	7-3/4	1-5/8	10-1/8	2-3/4	2-7/8	5-5/8	3	5
mm	422	95	311	124	198	41	257	70	73	143	76	127
in.	21-7/8	9	17-1/2	10-1/8	13	6-7/8	15-3/8	8	8-1/8	10-7/8	8-1/4	10-1/4
mm	556	229	445	257	330	175	391	203	206	276	210	260

Table 16: DX Coil (G) Connection Tubing

Unit Series	07		10		13		15	
	in	mm	in	mm	in	mm	in	mm
Suction Line OD:	3/4	19	3/4	19	7/8	22	7/8	22
Liquid Line OD:	1/4	6.35	1/4	6	3/8	10	3/8	10

Heat/Cool Units

Note: Numerical codes [#] denote optional stainless steel drain pan (cooling coils).

Chilled Water and Hot Water Unit

Figure 50: Chilled Water Cooling Coils V[5], S[6], W[7], Y[8]

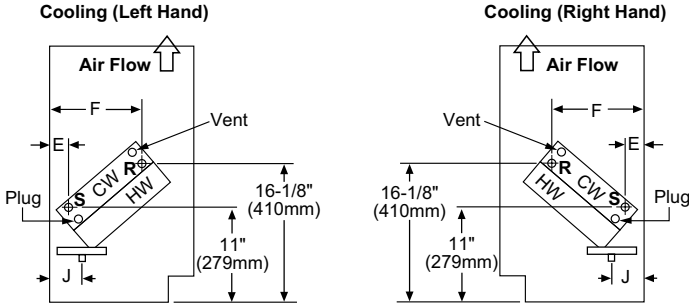
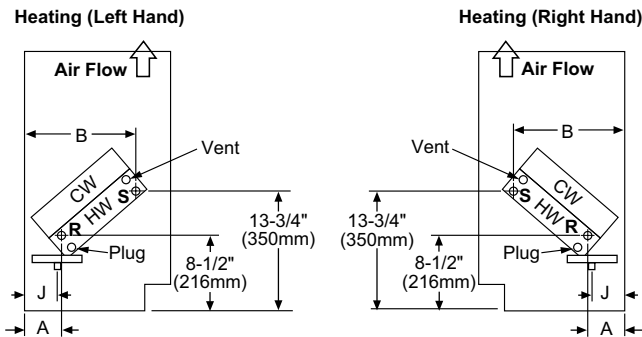


Figure 51: Hot Water Heating Coils 65, 66, 67



Direct Expansion and Hot Water Unit

Figure 52: Direct Expansion Cooling Coils G[9], M[0]

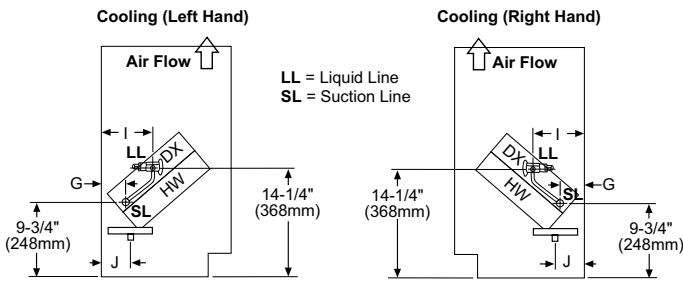
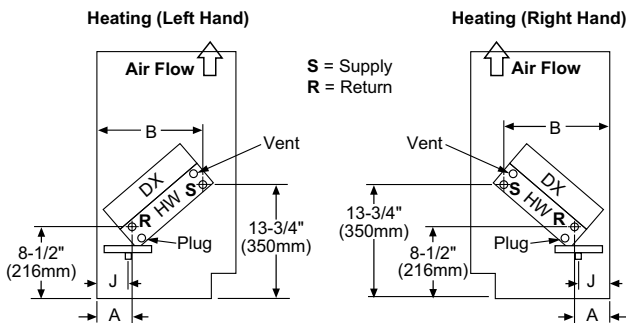


Figure 53: Hot Water Heating Coils 65, 66, 67



Direct Expansion and Steam Unit

Note: For opposite end drain steam coils (code 78, 79) Return (R) is 7/4" (184mm) from bottom of unit and (H) 2" (51mm) from the back of unit. **Unless otherwise noted, LH and RH connections are the same.**

Figure 54: Direct Expansion Cooling Coils G[9], M[0]

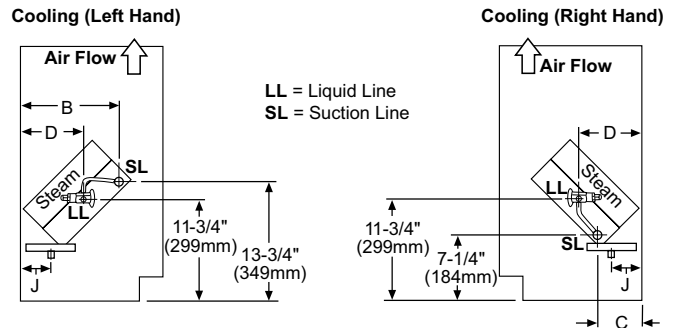
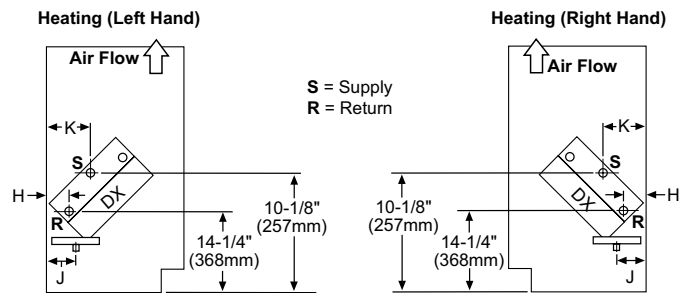


Figure 55: Steam Heating Coils 68, 69, 78, 79



Chilled Water and Steam Unit

Figure 56: Chilled Water Cooling Coils V[5], S[6]

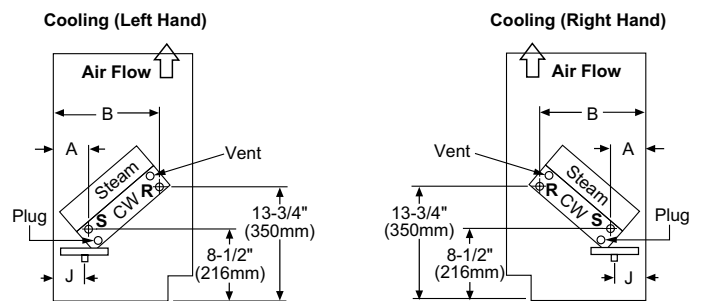
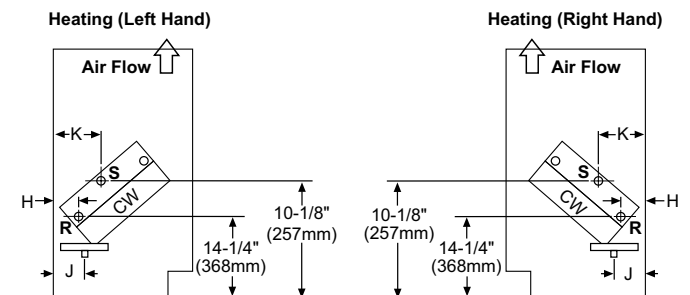
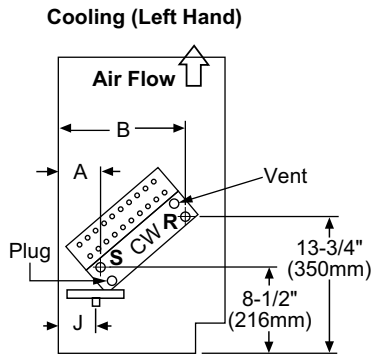


Figure 57: Steam Heating Coils 68, 69, 78, 79



Chilled Water and Electric Heating Coils

Figure 58: Chilled Water (1st Position) and Electric Heating (Cooling Coils V[5], S[6], W[7]), (Heating Coils 12, 13)



Direct Expansion and Electric Heating Unit

Figure 59: Direct Expansion (1st Position) and Electric Heating (Cooling Coils G[9], M[0]), (Heating Coils 12, 13)

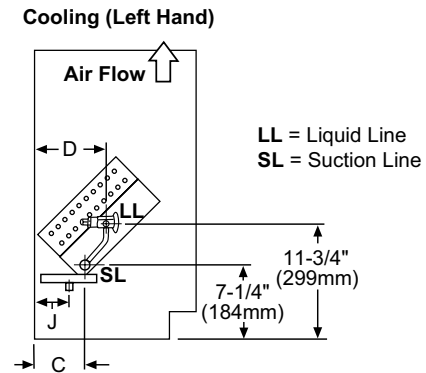


Table 17: Coil Connection Dimensions For Lettered Values

Unit Depth		Dimensions										
		A	B	C	D	E	F	G	H	I	J	K
in.	16-5/8	3-3/4	12-1/4	4-7/8	7-3/4	1-5/8	10-1/8	2-3/4	2-7/8	5-5/8	3	5
mm	422	95	311	124	198	41	257	70	73	143	76	127
in.	21-7/8	9	17-1/2	10-1/8	13	6-7/8	15-3/8	8	8-1/8	10-7/8	8-1/4	10-1/4
mm	556	229	445	257	330	175	391	203	206	276	210	260

Table 18: Direct Expansion (DX) Coil G[9] Connection Tubing

Unit Series	07		10		13		15	
	in	mm	in	mm	in	mm	in	mm
Suction Line OD	3/4	19	3/4	19	7/8	22	7/8	22
Liquid Line OD	1/4	6.35	1/4	6	3/8	10	3/8	10

Reheat Units

Chilled Water and Hot Water Unit

Note: Numerical codes [#] denote optional stainless steel drain pan (cooling coils).

Figure 60: Chilled Water Coils V[5], S[6], W[7], Y[8]

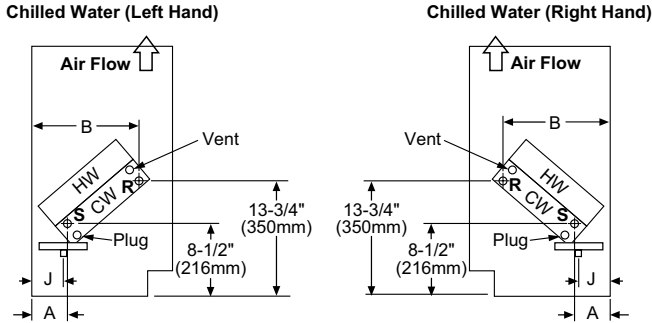
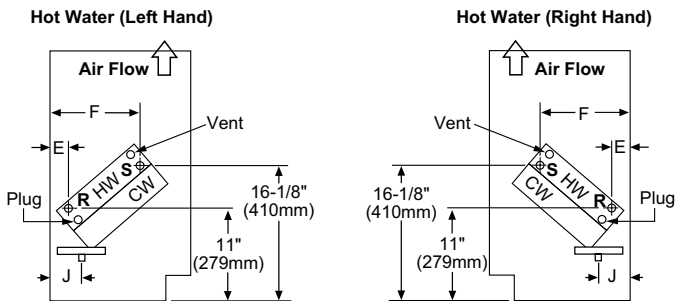


Figure 61: Hot Water Heating Coils 65, 66, 67



Direct Expansion and Hot Water Unit

Figure 62: Direct Expansion Cooling Coils G[9], M[0]

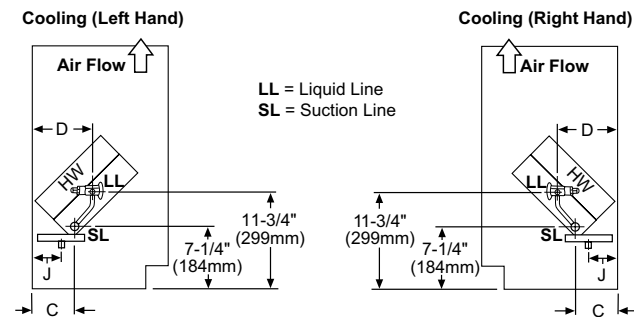
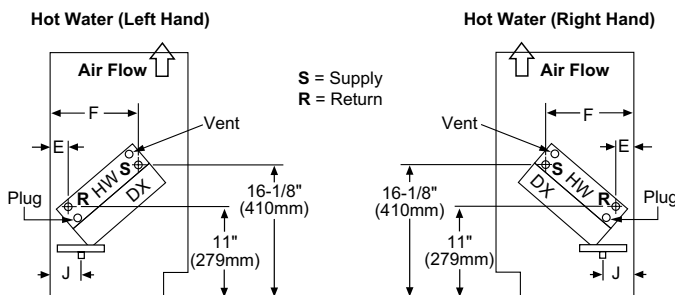


Figure 63: Hot Water Heating Coils 65, 66, 67



Direct Expansion and Steam Unit

Note: For opposite end drain steam coils (code 78, 79) Return (R) is 7 1/4" (184mm) from bottom of unit and (H) 2" (51mm) from the back of unit. **Unless otherwise noted, LH and RH connections are the same.**

Figure 64: Direct Expansion Cooling Coils G[9], M[0]

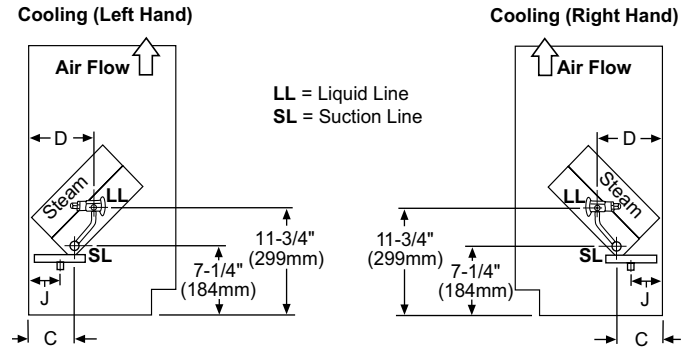
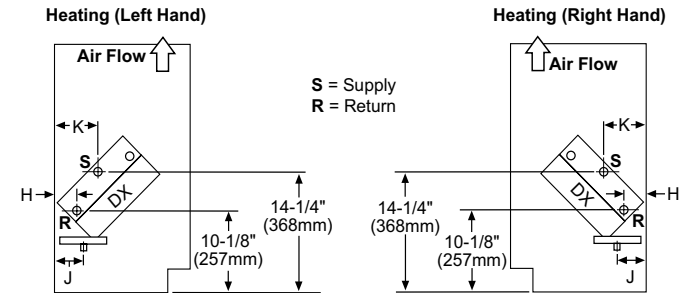


Figure 65: Steam Heating Coils 68, 69, 78, 79



Chilled Water and Steam Unit

Figure 66: Chilled Water Coils V[5], S[6]

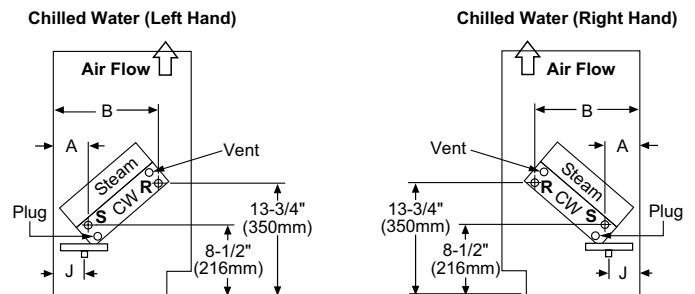
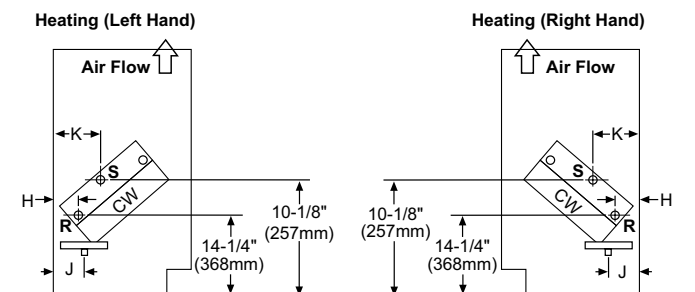
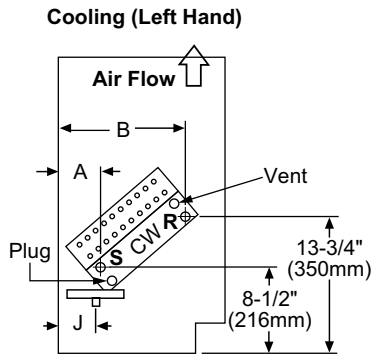


Figure 67: Steam Heating Coils 68, 69, 78, 79



Chilled Water and Electric Heating Coils

Figure 68: Chilled Water (1st Position) and Electric Heating (Cooling Coils V[5], S[6], W[7]), (Heating Coils 12, 13)



Direct Expansion and Electric Heating Unit

Figure 69: Direct Expansion (1st Position) and Electric Heating (Cooling Coils G[9], M[0]), (Heating Coils 12, 13)

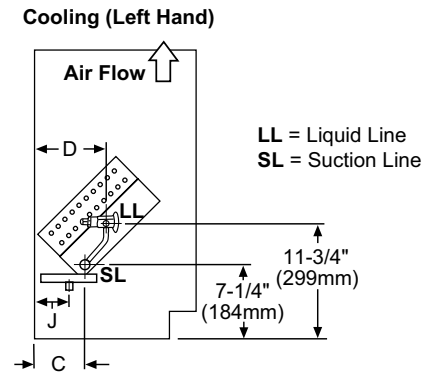


Table 19: Coil Connection Dimensions For Lettered Values

Unit Depth		Dimensions										
		A	B	C	D	E	F	G	H	I	J	K
in.	16-5/8	3-3/4	12-1/4	4-7/8	7-3/4	1-5/8	10-1/8	2-3/4	2-7/8	5-5/8	3	5
mm	422	95	311	124	198	41	257	70	73	143	76	127
in.	21-7/8	9	17-1/2	10-1/8	13	6-7/8	15-3/8	8	8-1/8	10-7/8	8-1/4	10-1/4
mm	556	229	445	257	330	175	391	203	206	276	210	260

Table 20: Direct Expansion (DX) Coil G[9] Connection Tubing

Unit Series	07		10		13		15	
	in	mm	in	mm	in	mm	in	mm
Suction Line OD	3/4	19	3/4	19	7/8	22	7/8	22
Liquid Line OD	1/4	6.35	1/4	6	3/8	10	3/8	10

Heating Only Units

Figure 70: Hot Water Only Unit (Coils 65, 66, 67)

Note: This arrangement available on AVV and AVS units only.

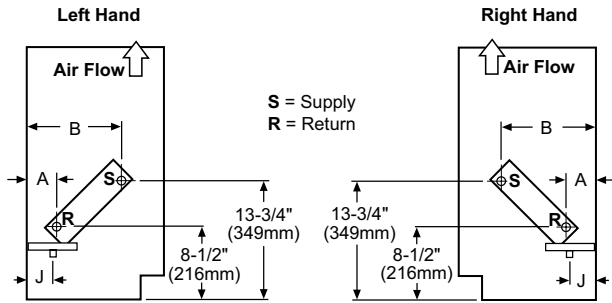


Figure 71: Steam Heating Only Unit (Coils 68, 69, 78, 79)

Note: This arrangement available on AVV and AVS units only.

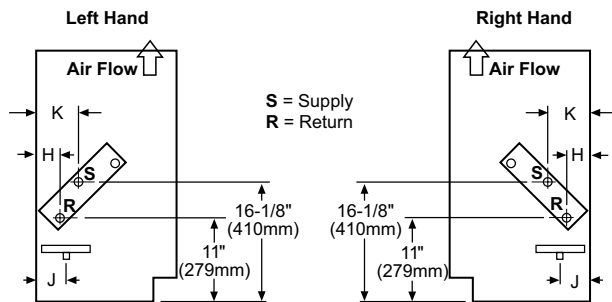
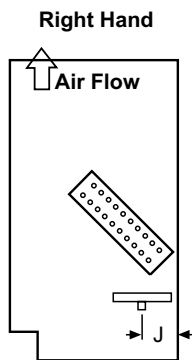


Figure 72: Electric Heating Only Unit (Coils 12, 13)

Note: This arrangement available on AVV units only.



Cooling Only Units

Figure 73: Chilled Water Only Unit (Coils V[5], S[6], W[7], Y[8])

Note: This arrangement available on AVV and AVS units only.

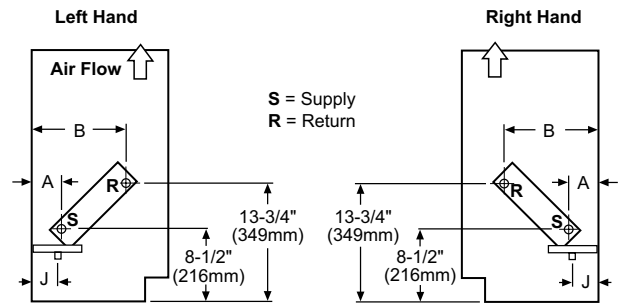
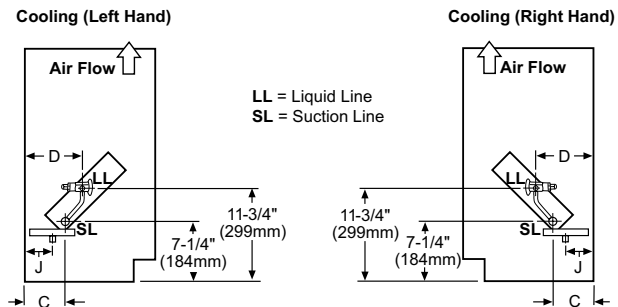


Figure 74: Direct Expansion Cooling Only Unit (Coils G[9], M[0])

Note: This arrangement available on AVV units only.



Condensate Drain Locations

Figure 75: Condensate Drain

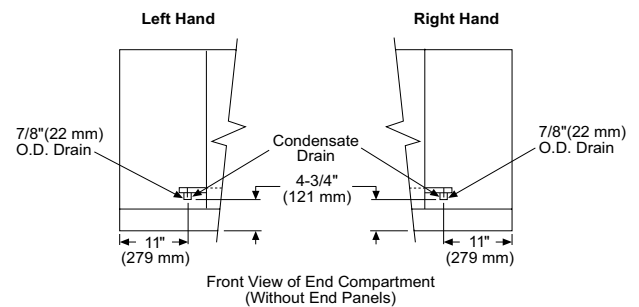
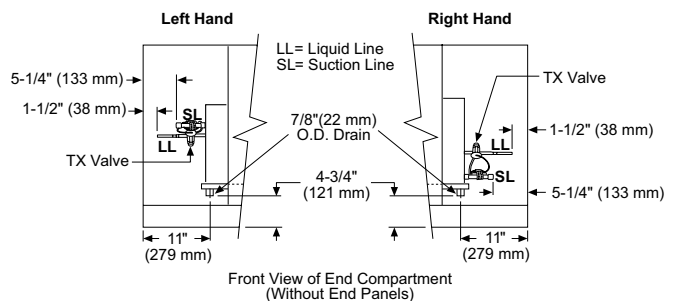


Figure 76: Condensate Drain and DX Coil Connections



End Panel – Dimensions

Table 21: 1" (25 mm) End Panel Dimensions

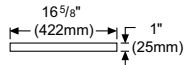
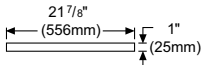
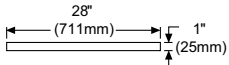
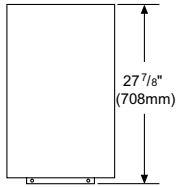
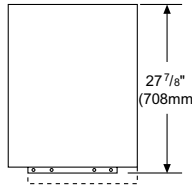
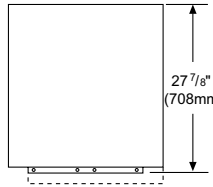
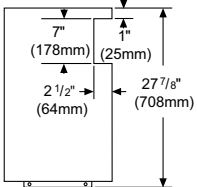
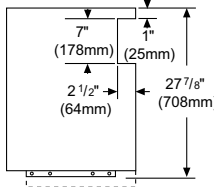
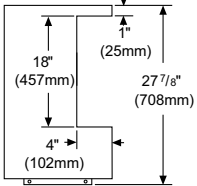
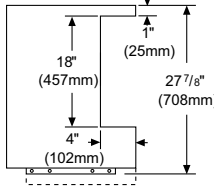
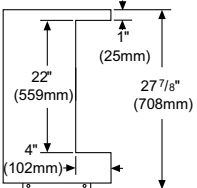
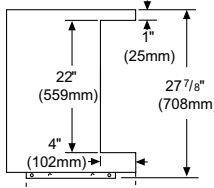
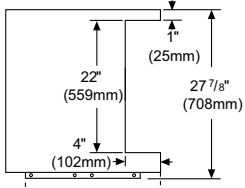
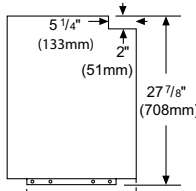
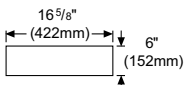
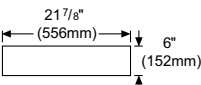
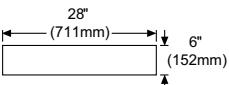
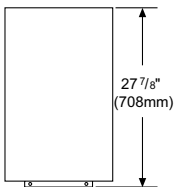
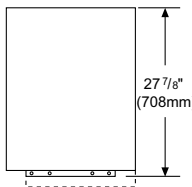
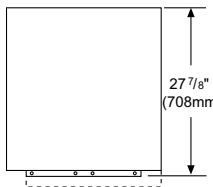
	16-5/8" (422mm) Deep End Panel	21-7/8" (556mm) Deep End Panel	28" (711mm) Deep End Panel
Top View			
End View With No Cut-out			
End View With 2-1/2" x 7" (64mm x 178mm) Cut-out			
End View With 4" x 18" (102mm x 457mm) Cut-out			
End View With 4" x 22" (102mm x 559mm) Cut-out			
End View With 2" x 5-1/4" (51mm x 133mm) Step Down			

Table 22: 6" (152 mm) End Panel Dimensions

	16-5/8" (422mm) Deep End Panel	21-7/8" (556mm) Deep End Panel	28" (711mm) Deep End Panel
Top View			
End View With No Cut-out			

Face & Bypass End of Cycle Valves

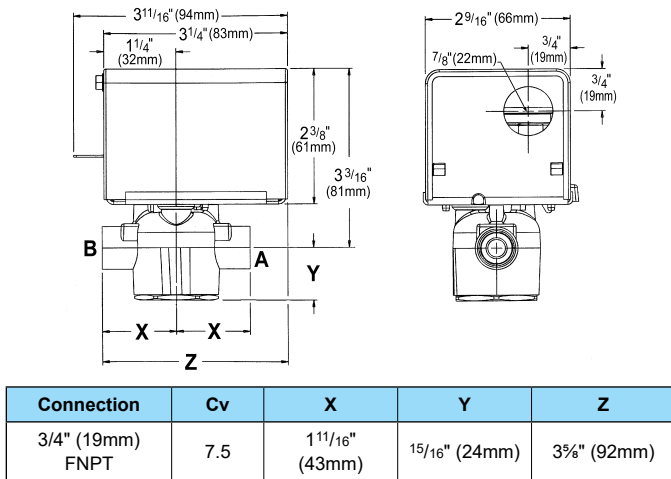
2-Way End of Cycle Valve



When piping the 2-Way End of Cycle valve, refer to label to determine the direction of flow. The valve should be installed so that there is a 2" (51mm) minimum clearance to remove the actuator from the valve body. Provide unions for removal of unit coil and/or control valve as a future service consideration. Hot water connections may be same end as cooling coil connections, but are recommended to be opposite end to facilitate piping.

When using MicroTech® controls, they must be opposite end. The End of Cycle valve accessory must be field installed on the unit for which it was selected.

Figure 77: 2-Way EOC Valve Dimensions



3-Way End of Cycle Valve



When piping the 3-Way End of Cycle valve, refer to label to determine the direction of flow. The valve should be installed so that there is a 2" (51mm) minimum clearance to remove the actuator from the valve body. Provide unions for removal of unit coil and/or control valve as a future service consideration. Hot water connections may be same

end as cooling coil connections, but are recommended to be opposite end to facilitate piping.

When using MicroTech® controls, they must be opposite end. The End of Cycle valve accessory must be field installed on the unit for which it was selected.

Figure 78: 3-Way EOC Valve Dimensions

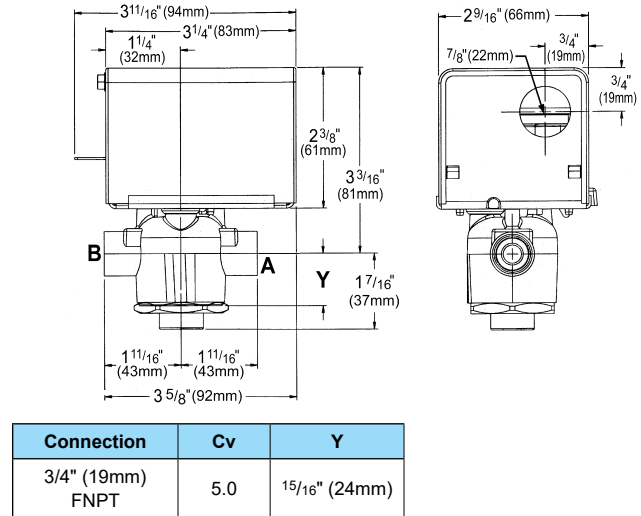


Figure 79: 2-Way EOC Steam Valve Dimensions

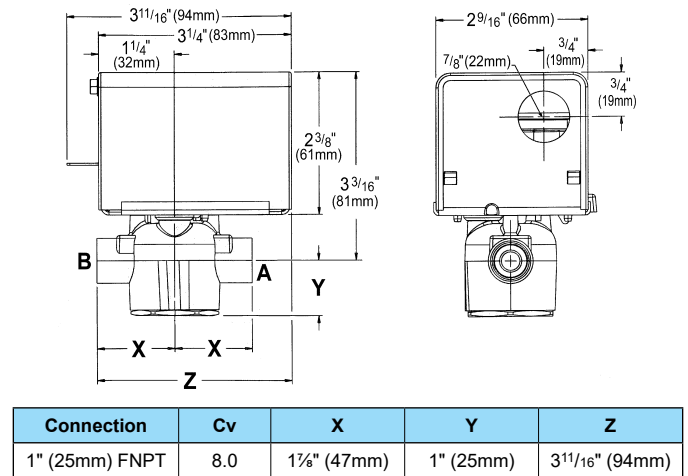


Table 23: EOC Actuator Specifications

Control	2 Position
Electrical	24 VAC, 50/60 Hz
Stroke	Power Stroke 9 to 11 seconds Spring return 4 to 5 seconds
Ambient	32°F to 125°F (0°C to 52°C)

Table 24: F&BP EOC Valve Body Specifications

	2-Way Valve	3-Way Valve
Connections	3/4" FNPT, 1" FNPT	3/4" FNPT
Static Pressure	300 psi (2100 kPa)	300 psi (2100 kPa)
Close-Off Pressure	13 & 15 psi (90 & 103 kPa)	13 psi (90 kPa)
Temperature	32°F to 200°F (0°C to 93°C)	32°F to 200°F (0°C to 93°C)

2-Way Modulating Valve (Chilled Water, Hot Water or Combination)



Two-way modulating control valves for MicroTech are designed to regulate the flow of chilled water, hot water or the combination. They consist of a nickel plated brass body and stainless steel ball valve and stem, with a spring return proportional actuator. The optional valve accessory is shipped separate from the unit ventilator for field installation to prevent shipping damage and to provide flexibility in making the field piping connection.

Table 25: 2-Way Actuator Specifications (CW, HW, CW/HW)

Power Supply	24 VAC, ±20%, 50/60 Hz, 24 VDC, ±10%
Power Consumption Running	2 W
Power Consumption Holding	1 W
Transformer Sizing	4 VA (class 2 power source)
Electrical Connection	3ft [1m], 18 GA plenum cable with 1/2" conduit connector
Overload Protection	electronic throughout 0° to 95° rotation
Operating Range Y	2 to 10 VDC, 4 to 20 mA w/ ZG-R01 (500 Ω, 1/4 W resistor)
Input Impedance	100 k Ω for 2 to 10 VDC (0.1 mA), 500 Ω for 4 to 20 mA
Feedback Output U	2 to 10 VDC, 0.5 mA max
Angle of Rotation	Max. 95°, 90°
Direction of Rotation (Motor)	reversible with built-in switch
Direction of Rotation (Fail-Safe)	reversible with CW/CCW mounting
Position Indication	visual indicator, 0° to 95° (0° is full spring return position)
Running Time (Motor)	95 sec
Running Time (Fail-Safe)	<25 sec
Ambient Humidity	max. 95% RH non-condensing
Ambient Temperature Range	-22°F to 122°F [-30°C to 50°C]
Storage Temperature Range	-40°F to 176°F [-40°C to 80°C]
Housing	NEMA 2, IP42, UL Enclosure Type 2
Housing Material	UL94-5VA
Agency Listings ¹	cULus acc. to UL60730-1A/-2-14, CAN/CSA E60730-1:02, CE acc. to 2004/108/EC and 2006/95/EC
Noise Level (Motor)	<35 dB (A)
Noise Level (Fail-Safe)	<62 dB (A)
Servicing	maintenance free
Quality Standard	ISO 9001

Note: ¹ Rated Impulse Voltage 800V, Type of action 1.AA, Control Pollution Degree 3TFRB24

Table 26: 2-Way Valve Body Specifications (CW, HW, CW/HW)

Service	chilled, hot water, up to 60% glycol
Flow Characteristic	equal percentage
Controllable Flow Range	75°
Size [mm]	0.5" [15]
End Fitting	NPT female ends
Body	forged brass, nickel plated
Ball	stainless steel
Stem	stainless steel
Stem Packing	EPDM (lubricated)
Seat	Teflon® PTFE
Seat O-ring	EPDM (lubricated)
Characterized Disc	TEFZEL®
Body Pressure Rating [psij]	600
Media Temperature Range (Water)	0°F to 250°F [-18°C to 120°C]
Max Differential Pressure (Water)	50 psi (345 kPa)
Close-Off Pressure	200 psi
Leakage	0% for A to AB
Servicing	maintenance free

2-Way Modulating Valve Specifications (CW, HW, CW/HW)

Modulating Valve Selection

The unit ventilator control valve is expected to be able to vary the quantity of water that flows through the coil in a modulating fashion. Any movement of the valve stem should produce some change in the amount of water that flows through the coil. Oversized control valves cannot do this. For example, assume that when the control valve is fully open, the pressure drop through the coil is twice as great as the drop through the valve. In this case, the control valve must travel to approximately 50% closed before it can begin to have any influence on the water flow through the coil. The control system, no matter how sophisticated, cannot overcome this. Oversized control valves can also

result in “hunting” which will shorten the life of the valve and actuator and possibly damage the coil.

To correctly select the proper Chilled Water Modulating Valve:

1. Determine the flow of water and the corresponding pressure drop through the coil.
2. Obtain the pressure difference between the supply and return mains.
3. Select a valve size (Cv) from [Table 28](#), on the basis of taking 50% of the available pressure difference (at design flow) between the supply and return mains at the valve location. The valve should have a pressure drop greater than that of the coil.

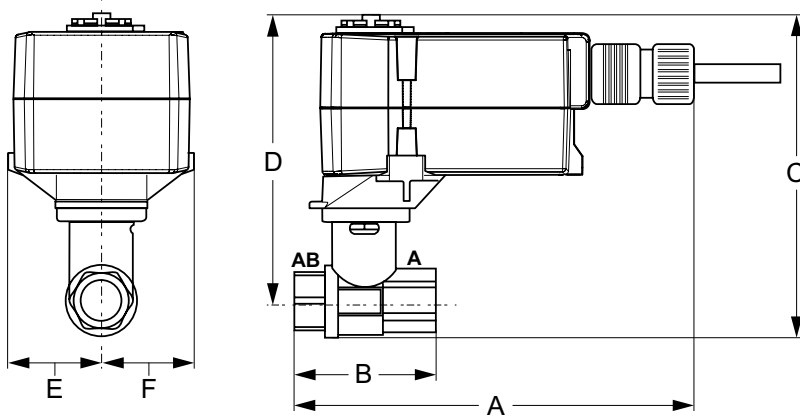


Figure 80: Formula Equation to Calculate Cv

Q = Capacity in gallons per minute
 Cv = Valve sizing coefficient determined experimentally for each style and size of valve, using water at standard conditions as the test fluid
 ΔP = Pressure differential in psi
 G = Specific gravity of fluid (water at 60°F = 1.0000)

$$Cv = Q \sqrt{\frac{G}{\Delta P}}$$

Table 27: 2-Way Modulating Valve Dimensions (CW, HW, CW/HW)

Valve Part No.	Cv	Connection Size (inches)	A	B	C	D	E	F	Weight	
									Valve Body	Actuator
B209	0.8	1/2"	6.59" (167mm)	2.38" (60mm)	4.9" (124mm)	4.32" (110mm)	1.53" (38mm)	0.4 lb (0.2 kg)	1.8 lb (0.8 kg)	
B210	1.2									
B211	1.9									
B212	3.0		6.59" (167mm)	2.38" (60mm)	5.48" (139mm)	4.71" (120mm)	1.53" (38mm)	0.7 lb. (0.3 kg)		
B213	4.7									
B214	7.4									

Note: See "Table 25: 2-Way Actuator Specifications (CW, HW, CW/HW)" on page 49" and "Table 26: 2-Way Valve Body Specifications (CW, HW, CW/HW)" on page 49.

Table 28: 2-Way Modulating Water Valve – Pressure Drop (CW, HW, CW/HW)

2-Way CCV Part No.	Cv Maximum Rating	Connection Size	Pressure Drop Across the Valve									
			1 PSI	2 PSI	3 PSI	4 PSI	5 PSI	6 PSI	7 PSI	8 PSI	9 PSI	10 PSI
B209	0.8	1/2"	0.8	1.1	1.4	1.6	1.8	2.0	2.1	2.3	2.4	2.5
B210	1.2		1.2	1.7	2.1	2.4	2.8	2.9	3.2	3.4	3.6	3.8
B211	1.9		1.9	2.7	3.3	3.8	4.2	4.7	5.0	5.4	5.7	6.0
B212	3.0		3.0	4.2	5.2	6.0	6.8	7.3	7.9	8.5	9.0	9.5
B213	4.7		4.7	6.6	8.1	9.4	11	12	12	13	14	15
B214	7.4		7.4	10	13	15	17	18	20	21	22	23

2-Way Modulating Valve (Steam) - 1/2"



Two-way modulating control valves for MicroTech are designed to regulate the flow of steam. They consist of a nickel plated brass body and stainless steel ball valve and stem, with a spring return, proportional actuator. The optional valve accessory is shipped separate from the unit ventilator for field installation to prevent shipping damage and to provide flexibility in making the field piping connection.

Table 29: 2-Way Actuator Specifications (Steam)

Power Supply	24 VAC ± 20%, 50/60 Hz, 24 VDC ± 10%
Power Consumption Running	2 W
Power Consumption Holding	1 W
Transformer Sizing	4 VA (class 2 power source)
Electrical Connection	3ft [1m], 18 GA plenum cable with 1/2" conduit connector"
Overload Protection	electronic throughout 0° to 95° rotation
Operating Range Y	2 to 10 VDC, 4 to 20 mA w/ ZG-R01 (500 Ω, 1/4 W resistor)
Input Impedance	100 k Ω for 2 to 10 VDC (0.1 mA), 500 Ω for 4 to 20 mA
Feedback Output U	2 to 10 VDC, 0.5 mA max
Angle of Rotation	Max. 95°, 90°
Direction of Rotation (Motor)	reversible with built-in switch
Direction of Rotation (Fail-Safe)	reversible with CW/CCW mounting
Position Indication	visual indicator, 0° to 95° (0° is full spring return position)
Running Time (Motor)	95 sec
Running Time (Fail-Safe)	<25 sec
Ambient Humidity	max. 95% RH non-condensing
Ambient Temperature Range	-22°F to 122°F [-30°C to 50°C]
Storage Temperature Range	-40°F to 176°F [-40°C to 80°C]
Housing	NEMA 2, IP42, UL enclosure type 2
Housing Material	UL94-5VA
Agency Listings ¹	cULus acc. to UL60730-1A/-2-14, CAN/CSA E60730-1:02, CE acc. to 2004/108/EC and 2006/95/EC
Noise Level (Motor)	<35 dB (A)
Noise Level (Fail-Safe)	<62 dB (A)
Servicing	maintenance free
Quality Standard	ISO 9001

Note: ¹ Rated Impulse Voltage 800V, Type of action 1.AA, Control Pollution Degree 3

Table 30: Valve Body Specifications (Steam)

Service	high temperature hot water/low pressure steam, up to 60% glycol
Flow Characteristic	A-port equal percentage
Controllable Flow Range	75°
Size [mm]	0.5" [15]
End Fitting	NPT female ends
Body	nickel plated brass (DZR) P-CuZn35Pb2
Ball	stainless steel
Stem	stainless steel
Stem Packing	Viton O-ring
Seat	ETFE
Seat O-ring	EPDM (lubricated)
Characterized Disc	ETFE
Body Pressure Rating [psi]	600
Max Inlet Pressure (Steam)	15 psi
Media Temperature Range (Water)	60°F to 266°F [16°C to 130°C]
Media Temperature Range (Steam)	250°F [120°C]
Maximum Differential Pressure (Steam)	15 psi
Max Differential Pressure (Water)	60 psi partially open ball, 116 psi full open
Close-Off Pressure	200 psi
Leakage	0%
Servicing	maintenance free

2-Way Modulating Steam Valve Specifications

Modulating Steam Valve Selection

The steam modulating control valve is expected to vary the quantity of steam through the coil. Any movement of the valve stem should produce some change in the steam flow rate. To select a modulating steam valve:

1. Obtain the supply steam inlet pressure.
2. Determine the actual heat requirement of the space to be heated.

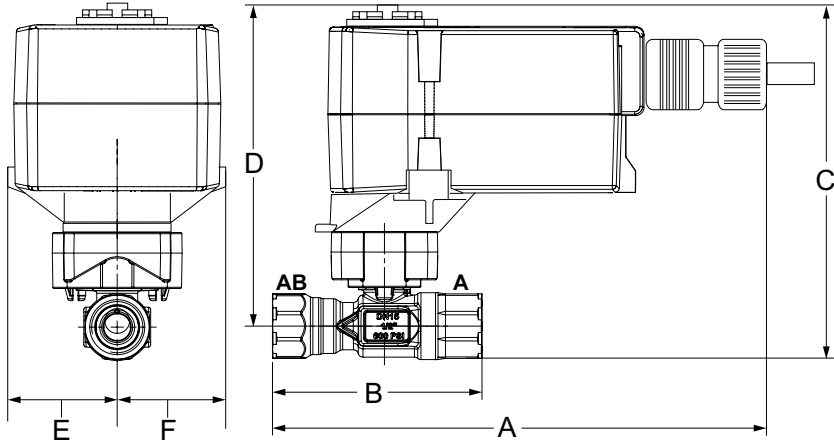


Table 31: 2-Way Modulating Steam Valve 1/2" – Dimensions

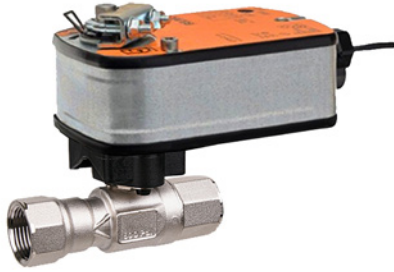
Valve Part No.	Cv	Connection Size (inches)	A	B	C	D	E	F	Weight	
									Valve Body	Actuator
B215HT073	0.73	1/2"	7.32" (186mm)	3.33" (85mm)	5.8" (147mm)	5.3" (135mm)	1.52" (39mm)	1.52" (38.5mm)	0.7 lb [0.3 kg]	1.8 lb [0.8 kg]
B215HT186	1.86									
B215HT455	4.55									

Note: See "Table 29: 2-Way Actuator Specifications (Steam)" on page 51" and "Table 30: Valve Body Specifications (Steam)" on page 51.

Table 32: 2-Way Modulating Steam Valve 1/2" – Pressure Drop

2-Way CCV Part No.	Cv Maximum Rating	Connection Size	Pressure Drop Across the Valve					
			2 PSI	3 PSI	4 PSI	5 PSI	10 PSI	15 PSI
B215HT073	0.73	1/2"	10.99	13.71	16.11	18.33	28.03	36.74
B215HT186	1.86		22.34	34.93	41.06	46.70	71.42	93.60
B215HT455	4.55		54.65	85.44	100.43	114.24	174.72	228.97

2-Way Modulating Valve (Steam) - 3/4"



The modulating control valves for MicroTech are designed to regulate the flow of steam. They consist of a nickel plated brass body and stainless steel ball valve and stem, with a spring return, proportional actuator. The optional valve accessory is shipped separate from the unit ventilator for field installation to prevent shipping damage and to provide flexibility in making the field piping connection.

Table 33: Actuator Specifications

Power Supply	24 VAC ± 20%, 50/60 Hz, 24 VDC ± 10%
Power Consumption Running	2.5 W
Power Consumption Holding	1 W
Transformer Sizing	5 VA (class 2 power source)
Electrical Connection	3ft [1m], 18 GA plenum cable with 1/2" conduit connector
Overload Protection	electronic throughout 0° to 95° rotation
Operating Range Y	2 to 10 VDC, 4 to 20 mA w/ ZG-R01 (500 Ω, 1/4 W resistor)
Input Impedance	100 k Ω for 2 to 10 VDC (0.1 mA), 500 Ω for 4 to 20 mA
Feedback Output U	2 to 10 VDC (max 0.7 mA) for 95°
Angle of Rotation	90°
Direction of Rotation (Motor)	reversible with built-in switch
Direction of Rotation (Fail-Safe)	reversible with CW/CCW mounting
Position Indication	visual indicator, 0° to 95° (0° is full spring return position)
Running Time (Motor)	150 sec constant, independent of load
Running Time (Fail-Safe)	<25 sec @ -4°F to 122°F [-20°C to 50°C], < 60 sec @ -22°F [-30°C]"
Ambient Temperature Range	-22°F to 122°F [-30°C to 50°C]
Storage Temperature Range	-40°F to 176°F [-40°C to 80°C]
Housing	NEMA 2, IP54
Agency Listings ¹	cULus acc. To UL 873 and CAN/CSA C22.2 No. 24-93"
Noise Level (Motor)	<50 dB (A)
Noise Level (Fail-Safe)	<62 dB (A)
Servicing	maintenance free
Quality Standard	ISO 9001

Note: ¹ Rated Impulse Voltage 800V, Type of action 1.AA, Control Pollution Degree 3

Table 34: Valve Body Specifications

Service	high temperature hot water/low pressure steam, up to 60% glycol
Flow Characteristic	A-port equal percentage
Controllable Flow Range	75°
Size [mm]	0.75" [20]
End Fitting	NPT female ends
Body	nickel plated brass (DZR) P-CuZn35Pb2
Ball	stainless steel
Stem	stainless steel
Stem Packing	Viton O-ring
Seat	ETFE
Seat O-ring	EPDM (lubricated)
Characterized Disc	ETFE
Body Pressure Rating [psi]	600
Max Inlet Pressure (Steam)	15 psi
Media Temperature Range (Water)	60°F to 266°F [16°C to 130°C]
Media Temperature Range (Steam)	250°F [120°C]
Maximum Differential Pressure (Steam)	15 psi
Max Differential Pressure (Water)	60 psi partially open ball, 116 psi full open
Close-Off Pressure	200 psi
Leakage	0%
Servicing	maintenance free

2-Way Modulating Steam Valve Specifications

Modulating Steam Valve Selection

The steam modulating control valve is expected to vary the quantity of steam through the coil. Any movement of the valve stem should produce some change in the steam flow rate. To select a modulating steam valve:

1. Obtain the supply steam inlet pressure.
2. Determine the actual heat requirement of the space to be heated.

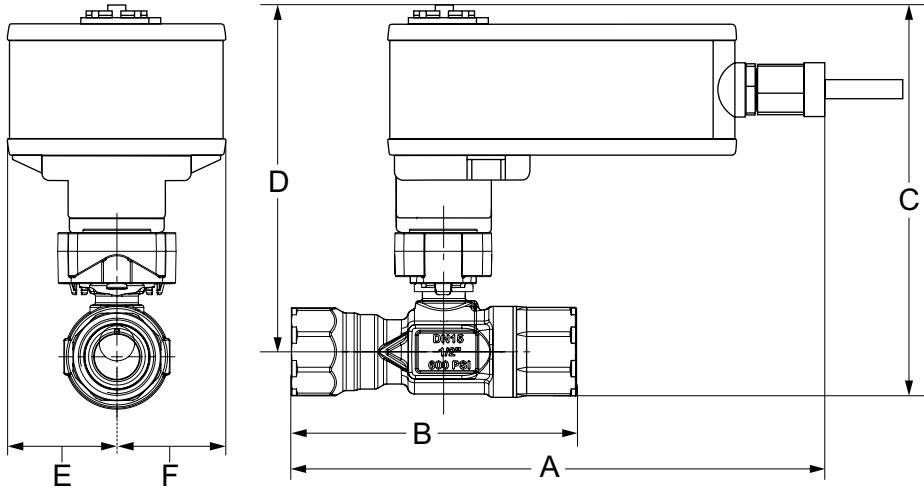


Table 35: 2-Way Modulating Valve 3/4" – Dimensions

Valve Part No.	Cv	Connection Size (inches)	A	B	C	D	E	F	Weight	
									Valve Body	Actuator
B220HT731	7.31	3/4 inch	8.70" (221mm)	3.96" (101mm)	6.74" (171mm)	6.07" (154mm)	1.89" (48mm)	1.89" (48mm)	0.9 lb. (0.4 kg)	1.8 lb (0.8 kg)

Note: See "Table 33: Actuator Specifications" on page 53" and "Table 34: Valve Body Specifications" on page 53.

Table 36: 2-Way Modulating Steam Valve 3/4" – Pressure Drop

2-Way CCV Part No.	Cv Maximum Rating	Connection Size	Pressure Drop Across the Valve					
			2 PSI	3 PSI	4 PSI	5 PSI	10 PSI	15 PSI
B220HT731	7.31	3/4 inch	110.02	137.27	161.36	183.54	280.70	367.86

3-Way Modulating Valve (Chilled Water, Hot Water or Combination)



Three-way modulating control valves for MicroTech are designed to regulate the flow of hot or chilled water or the combination. They consist of a nickel plated brass body and stem with chrome plated brass ball valve, with a spring return, proportional actuator. The optional valve accessory is shipped separate from the unit ventilator for field installation to prevent shipping damage and to provide flexibility in making the field piping connection.

Table 37: 3-Way Actuator Specifications (CW, HW, CW/HW)

Power Supply	24 VAC, ±20%, 50/60 Hz, 24 VDC, ±10%
Power Consumption Running	2 W
Power Consumption Holding	1 W
Transformer Sizing	4 VA (class 2 power source)
Electrical Connection	3ft [1m], 18 GA plenum cable with 1/2" conduit connector
Overload Protection	electronic throughout 0° to 95° rotation
Operating Range Y	2 to 10 VDC, 4 to 20 mA w/ ZG-R01 (500 Ω, 1/4 W resistor)
Input Impedance	100 k Ω for 2 to 10 VDC (0.1 mA), 500 Ω for 4 to 20 mA
Feedback Output U	2 to 10 VDC, 0.5 mA max
Angle of Rotation	Max. 95°, 90°
Direction of Rotation (Motor)	reversible with built-in switch
Direction of Rotation (Fail-Safe)	reversible with CW/CCW mounting
Position Indication	visual indicator, 0° to 95° (0° is full spring return position)
Running Time (Motor)	95 sec
Running Time (Fail-Safe)	<25 sec
Ambient Humidity	max. 95% RH non-condensing
Ambient Temperature Range	-22°F to 122°F [-30°C to 50°C]
Storage Temperature Range	-40°F to 176°F [-40°C to 80°C]
Housing	NEMA 2, IP42, UL Enclosure Type 2
Housing Material	UL94-5VA
Agency Listings ¹	cULus acc. to UL60730-1A/-2-14, CAN/CSA E60730-1:02, CE acc. to 2004/108/EC and 2006/95/EC
Noise Level (Motor)	<35 dB (A)
Noise Level (Fail-Safe)	<62 dB (A)
Servicing	maintenance free
Quality Standard	ISO 9001

Note: ¹ Rated Impulse Voltage 800V, Type of action 1.AA, Control Pollution Degree 3

Table 38: 3-Way Valve Body Specifications (CW, HW, CW/HW)

Service	chilled, hot water, up to 60% glycol
Flow Characteristic	A-port Equal percentage; B-port modified linear for constant flow
Controllable Flow Range	75°
Size [mm]	0.5" [15]
End Fitting	npt female ends
Body	forged brass, nickel plated
Ball	chrome plated brass
Stem	nickel plated brass
Stem Packing	EPDM (lubricated)
Seat	Teflon® PTFE
Seat O-ring	EPDM (lubricated)
Characterized Disc	TEFZEL®
Body Pressure Rating [psi]	600
Media Temperature Range (Water)	0°F to 250°F [-18°C to 120°C]
Max Differential Pressure (Water)	50 psi (345 kPa)
Close-Off Pressure	200 psi
Leakage	0% for A to AB, <2.0% for B to AB
Servicing	maintenance free

3-Way Modulating Valve Specifications

Hot Water, Chilled Water or 2-Pipe CW/HW Modulating Valve Selection

The unit ventilator control valve is expected to be able to vary the quantity of water that flows through the coil in a modulating fashion. Any movement of the valve stem should produce some change in the amount of water that flows through the coil. Oversized control valves cannot do this. For example, assume that when the control valve is fully open, the pressure drop through the coil is twice as great as the drop through the valve.

In this case, the control valve must travel to approximately 50% closed before it can begin to have any influence on the water flow through the coil. The control system, no matter how sophisticated, cannot overcome this. Over-

sized control valves can also result in “hunting” which will shorten the life of the valve and actuator and possibly damage the coil.

To correctly select the proper Hot Water, Chilled Water or 2-pipe CW/HW Modulating Valve:

1. Determine the flow of water and the corresponding pressure drop through the coil.
2. Obtain the pressure difference between the supply and return mains.
3. Select a valve size (Cv) from Table 40, on the basis of taking 50% of the available pressure difference (at design flow) between the supply and return mains at the valve location. The valve should have a pressure drop greater than that of the coil.

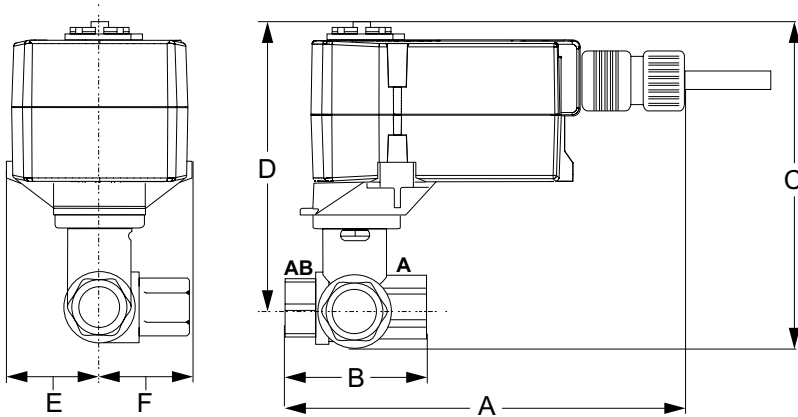


Figure 81: Formula Equation to Calculate Cv

Q = Capacity in gallons per minute
 Cv = Valve sizing coefficient determined experimentally for each style and size of valve, using water at standard conditions as the test fluid
 ΔP = Pressure differential in psi
 G = Specific gravity of fluid (water at 60°F = 1.0000)

$$Cv = Q \sqrt{\frac{G}{\Delta P}}$$

Table 39: 3-Way Modulating Valve Dimensions

Valve Part No.	Cv	Connection Size (inches)	A	B	C	D	E	F	Weight	
									Valve Body	Actuator
B309(B)	0.8	1/2"	6.59" (167mm)	2.38" (60mm)	4.9" (124mm)	4.32" (110mm)	1.53" (38mm)	1.2" (31mm)	.07 lb. (.03 kg)	1.8 lb. (.08 kg)
B310(B)	1.2									
B311(B)	1.9									
B312(B)	3.0		6.59" (167mm)	2.38" (60mm)	4.9" (124mm)	4.71" (120mm)	1.53" (38mm)	1.29" (33mm)		
B313(B)	4.7									
B318(B)	7.4									

Note: See "Table 37: 3-Way Actuator Specifications (CW, HW, CW/HW)" on page 55 and "Table 38: 3-Way Valve Body Specifications (CW, HW, CW/HW)" on page 55.

Table 40: Modulating 3-Way Hot Water, Chilled Water or 2-Pipe CW/HW Valve - Pressure Drop

3-Way CCV Part No.	Cv Maximum Rating	Connection Size	Pressure Drop Across the Valve									
			1 PSI	2 PSI	3 PSI	4 PSI	5 PSI	6 PSI	7 PSI	8 PSI	9 PSI	10 PSI
B309(B)	0.8	1/2"	0.8	1.	1.4	1.6	1.8	2.0	2.	2.3	2.4	2.5
B310(B)	1.2		1.2	1.7	2.	2.4	2.8	2.9	3.2	3.4	3.6	3.8
B311(B)	1.9		1.9	2.7	3.3	3.8	4.2	4.7	5.0	5.4	5.7	6.0
B312(B)	3.0		3.0	4.2	5.2	6.0	6.8	7.3	7.9	8.5	9.0	9.5
B313(B)	4.7		4.7	6.6	8.1	9.4	11	12	12	13	14	15
B318(B)	7.4		7.4	10	13	15	17	18	20	21	22	23

Wall Intake Louvers & Grilles

Louvers are available in both horizontal and vertical blade configurations:

- **Horizontal blade** construction turns the incoming air to keep moisture from entering. Bottom weep holes drain moisture to the outside.
- **Vertical-blade** construction provides positive water impingement and entrapment. The bottom lip drains moisture to the outside.

Louvers can be supplied with or without flanges:

- **Flanged louvers** are typically used for a panel wall finish.
- **Unflanged louvers** are typically used for recessing into a masonry wall.

A half-inch-square mesh bird screen located on the leaving air side of the louver prevents birds and other small animals from entering. The screen's strong aluminum mesh is designed to minimize air pressure drops, unlike expanded metal mesh.

Table 41: Louver Specifications

Unit	Nominal Air Flow		Louver Dimensions ± 1/16" (± 2mm)		Recommended Wall Opening	
	CFM	L/s	L = Length	Height	Length	Height
07	750	354	36" (914mm)	10-3/8" (264mm)	36-1/4" (921mm)	10-1/2" (267mm)
10	1000	472	48" (1219mm)		48-1/4" (1225mm)	
13	1250	590	60" (1524mm)		60-1/4" (1530mm)	
15	1500	708	72" (1829mm)		72-1/4" (1835mm)	

Figure 82: Louver with Flange (Horizontal Blades Shown)

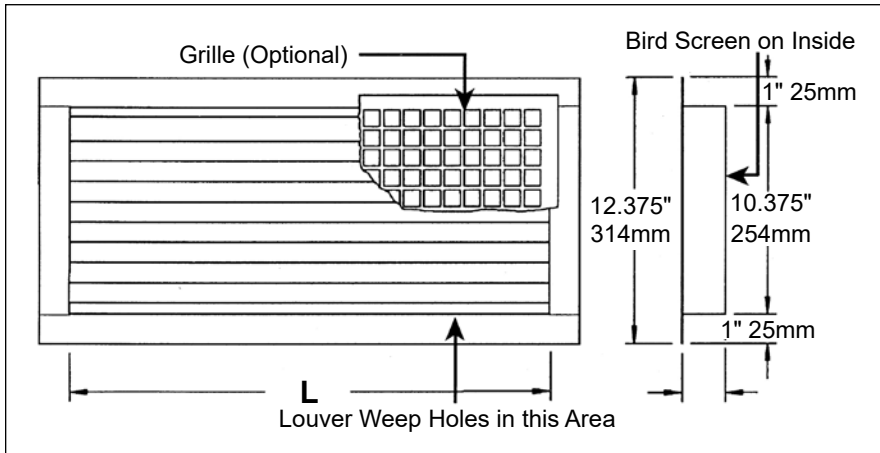
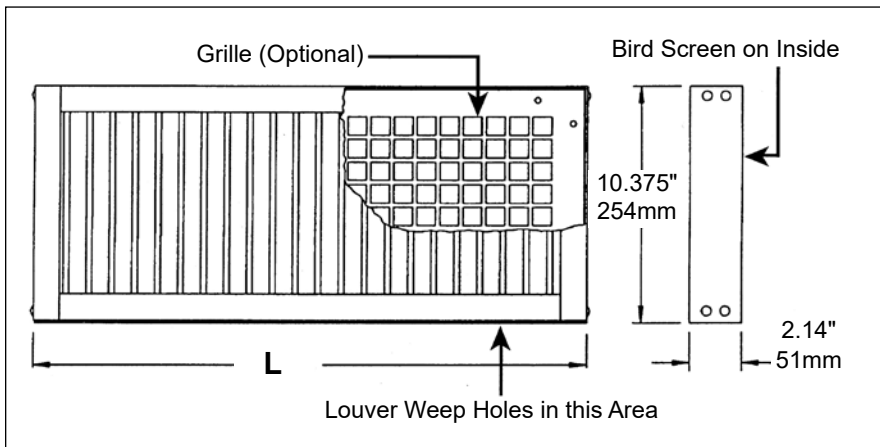


Figure 61: Louver without Flange (Vertical Blades Shown)



VentiMatic Shutter Assembly

- Notes:**
1. Horizontal blade louver shown. Vertical blade louver also available with VentiMatic shutter.
 2. Optional exterior grille matches unit ventilator louver in material and design. Mounted in wall louver.
 3. Optional interior grille mounting hardware is not included.
 4. Louver leaves seal against plate to prevent air infiltration.

Figure 83: VentiMatic Shutter Assembly with Optional Grille

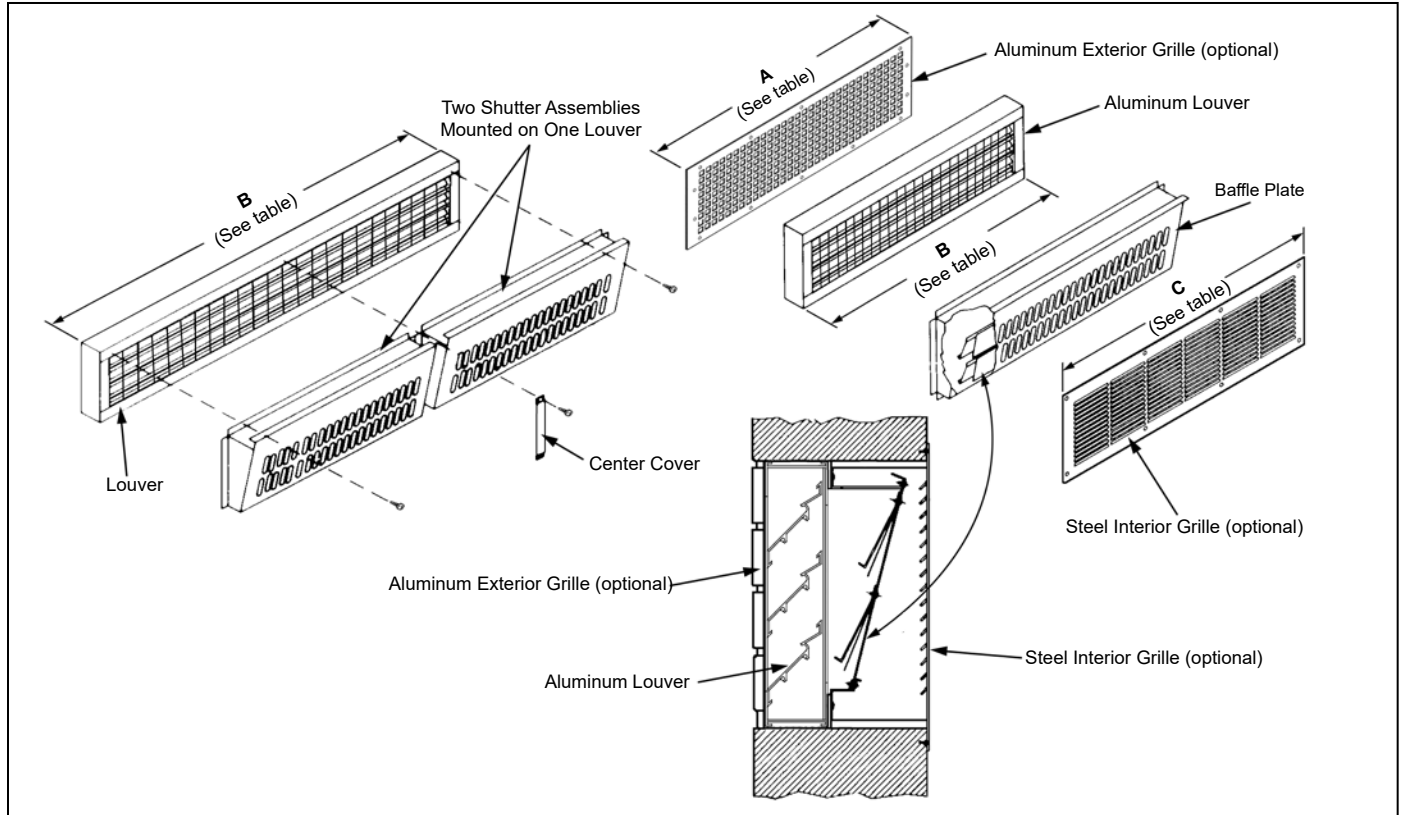


Table 42: Recommended Wall Openings and Max Air Capacities for VentiMatic Shutter Assembly

Exterior Grille Width A		Louver Width B		Interior Grille Width C		Recommended Wall Opening For Louver				Max Number of VentiMatic Shutters To Mount On Standard Louver		VentiMatic Shutter(s) Max Air Capacity	
inches	mm	inches	mm	inches	mm	Length		Width		24" (610mm) Shutter	36" (914mm) Shutter	CFM	L/s
						inches	mm	inches	mm				
23-3/4	603	24	610	27	686	24-1/4	616	10-1/2	267	1	0	500	236
36-3/4	933	36	914	39	991	36-1/4	921			0	1	750	354
47-3/4	1213	48	1219	51	1295	48-1/4	1225			2	0	1000	472
59-3/4	1518	60	1524	63	1600	60-1/4	1530			1	1	1250	590
71-3/4	1822	72	1829	75	1905	72-1/4	1835			0	2	1500	708

Quick Selection Procedure

The following procedure will provide you with a rough determination of unit capacity for cooling and/or heating based on the number of coil rows. Use capacity tables for final selection. Consult your local Daikin representative for details on the computer selection programs Daikin Applied provides for this purpose.

Step 1: Determine Design Conditions

Determine design indoor and outdoor air temperatures in accordance with established engineering practices, as outlined in the ASHRAE Guide or other authoritative source. Indoor temperatures of 80°F dry bulb, 67°F wet bulb for summer and 70°F dry bulb for winter usually are acceptable for design or peak load conditions, even though the expected operating conditions of the system may be somewhat different.

Table 43: Chilled Water Cooling Capacity BTUH

80/67°F Entering Air Temperature; 45°F Entering Water Temperature; 10°F Water Temperature Rise				
Rows	750 cfm	1000 cfm	1250 cfm	1500 cfm
2	15,700	23,600	31,500	38,700
3	19,000	33,200	41,000	51,200
4	24,500	35,600	43,300	56,700
5	30,800	35,900	47,200	57,600

Table 44: Hot Water Heating Capacity BTUH

60°F Entering Air Temperature; 160°F Entering Water Temperature; 6 Gpm Water Flow				
Rows	750 cfm	1000 cfm	1250 cfm	1500 cfm
1	37,000	49,500	57,000	66,000
2	48,300	62,000	74,100	97,200
3	56,800	72,000	84,500	97,500
4*	62,500	81,000	95,000	110,000

Note: *4-row coil only available with 2-pipe CW/HW system. HW will be piped for counter-flow

Table 45: Steam Heating Capacity BTUH

0°F Entering Air Temperature; 2 PSI Steam at 218.5°F							
750 cfm		1000 cfm		1250 cfm		1500 cfm	
Std Cap	Hi Cap	Std Cap	Hi Cap	Std Cap	Hi Cap	Std Cap	Hi Cap
50,300	66,500	75,200	89,900	89,000	112,500	111,500	128,500

Table 46: Electric Heating Capacity BTUH

Voltage	750 cfm		1000 cfm		1250 cfm		1500 cfm	
	Low	High	Low	High	Low	High	Low	High
230-1, 230-3, 265-1, 460-3	18,835	37,670	25,113	50,227	31,392	62,783	37,670	75,340
208-1, 208-3	20,473	40,946	27,297	54,594	34,121	68,243	40,946	81,891

Step 2: Determine Heating and Cooling Loads

Calculate design winter heating losses and summer cooling loads in accordance with the procedures outlined by the ASHRAE Guide or other authoritative source.

Perhaps the greatest consideration in calculating design loads is solar heat gain. August solar heat values might be used for summer cooling loads, but should not be used for ventilation air or “natural cooling” capacity calculations; since these cooling loads reach their maximum in the spring and autumn months. The natural cooling capacity is usually calculated for 55° or 60°F outdoor air temperature (Table 47).

Table 47: Outdoor Air Ventilation Sensible Cooling Capacities Based On 75°F Room Temperature

Unit Size	Nominal CFM	Outdoor Air Temperature	
		55°F	60°F
07	750	16.3 MBH	12.2 MBH
10	1000	21.7 MBH	16.3 MBH
13	1250	27.1 MBH	20.3 MBH
15	1500	32.6 MBH	24.4 MBH

Step 3: Determine Air Quantity Required

Air quantity for heating applications is determined from circulation of a definite number of room air volumes per hour. Table 48 gives the recommended number of room air changes per hour.

Table 48: Recommended Room Air Changes Per Hour

Type of Space	Recommended Number of Room Air Changes Per Hour
Classrooms, Offices	6 to 9
Laboratories, Shops	6 to 8
Cafeterias, & Kitchens	4-1/2 to 7

For rooms facing east, south or west, the higher values shown in the table should be used so adequate ventilation cooling will be available to prevent overheating during mild sunny weather. The following equation is helpful to determine the CFM air delivery for any given rate of circulation:

Equation 3: CFM For Given Rate Of Circulation

$$\frac{\text{Room Volume (cu ft)} \times \text{Room Changes per Hour}}{60} = \text{CFM}$$

In mechanical cooling applications, the total air quantity may be determined or verified by use of the sensible cooling load equation:

Equation 4: CFM Based On Sensible Cooling Load

$$\text{CFM} = \frac{Q \text{ sensible (space)}}{1.086 \times \text{TD}}$$

Q sensible is the maximum sensible room load and T.D. is the temperature difference between the room design dry bulb temperature and the final or leaving-air dry bulb temperature. For these calculations, a T.D. of 20°F is usually assumed to be desirable to avoid delivering air too cold for comfort. This figure may be varied one or two degrees for reasons of practicality.

Note: *The sensible load used in the preceding equation is the space load and excludes the ventilation load.*

Most areas have ventilation codes which govern the amount of ventilation air required for school applications. For other than school applications or areas not having codes, the ASHRAE Guide may be used for authoritative recommendations and discussion of the relation between odor control and outdoor air quantities.

The minimum outdoor air quantity recommended by ASHRAE for K-12 classrooms is 10 CFM per person plus 0.12 cfm/ft². Lower percent minimum outdoor air settings are more economical. In the interest of economy, it may be desirable to use lower percent minimums if there are no ventilation codes.

Step 4: Select Unit Size

The unit should be selected to meet or exceed the CFM delivery requirement previously determined. All model types are available with nominal capacities of 750, 1000, 1250 and 1500 CFM.

Heating Capacity

Unit heating capacity should be selected to equal or slightly exceed the computed room heat loss. For units installed for 100% recirculation, it is good practice to increase the heating capacity by 15% to aid in quick room warm-up. This allowance is unnecessary for units delivering a minimum outdoor air of 20% or more, since the outdoor air damper remains closed until the room is up to temperature. The heat normally expended in heating the minimum-percent outdoor air up to room temperature is available for quick warm-up purposes.

The heating required to warm the outdoor ventilating air up to room temperature must also be calculated. The Total Capacity should be used in sizing, piping, boilers, etc.

Cooling Capacity

Unit cooling capacity should be selected to equal or slightly exceed the sum of computed room sensible and latent

Step 5: Freeze Protection

Constant pump operation is required whenever the outdoor air temperature is below 35°F. This will assist in providing protection against freeze up of the system water piping and coils. To reduce the possibility of water coil freeze up on valve-controlled units, the valve must be selected properly to provide adequate water flow. See "Modulating Valve Sizing & Piping" on page 109. One of the steps below should be followed.

Chilled Water

Carry out one of the following steps to help protect against freezing:

- Drain the chilled water system during cold weather.
- Open the chilled water coil valves and operate the chilled water circulating pump any time the outside air temperature is below 35°F.
- Use antifreeze in the system.

Hot Water

Carry out one of the following steps to help protect against freezing:

- Use antifreeze in the system.
- Open the hot water coil valve and close the outdoor air damper whenever a freezing condition is sensed at the coil. Freezestat is factory-furnished on units with hydronic coils. (See page 100 through page 102 for details).

Step 6: Units With Antifreeze

If ethylene glycol or propylene glycol is used, its effect upon heating and cooling capacities and its effect on water pressure drops through the coil and piping system must be considered, as follows:

1. Divide the heating and/or cooling loads determined in Step 2 by the applicable capacity correction factor shown in Table 49 and Table 50 below to arrive at the calculated unit capacity required to take care of the capacity reduction caused by the glycol solution.

Table 49: Capacity Correction Factors for Ethylene Glycol

Ethylene Glycol% Weight	20%	30%	40%
Chilled Water	0.92	0.84	0.75
Hot Water	0.94	0.90	0.84

Table 50: Capacity Correction Factors for Propylene Glycol

Propylene Glycol% Weight	20%	30%	40%
Chilled Water	0.86	0.73	0.62
Hot Water	0.98	0.96	0.92

2. Determine the GPM required by entering the appropriate chilled water cooling capacity table or hot water capacity chart using the calculated unit capacity.
3. Determine the water pressure drop by multiplying the water pressure drop for the GPM determined above by the applicable pressure drop correction factor shown in Table 51 and Table 52 below.

Table 51: Pressure Drop Correction Factors for Ethylene Glycol

Ethylene Glycol% Weight	20%	30%	40%
Chilled Water	1.15	1.22	1.34
Hot Water	1.08	1.11	1.19

Table 52: Pressure Drop Correction Factors for Propylene Glycol

Propylene Glycol% Weight	20%	30%	40%
Chilled Water	1.24	1.27	1.35
Hot Water	1.07	1.11	1.15

Chilled Water Selection Example

Step 1: Determine Design Conditions

Assume the following design indoor and outdoor air temperatures are given:

- Outdoor design temperature = 96°F DB / 74°F WB
- Room design temperature = 76°F DB / 65°F WB

Step 2: Determine Cooling Loads

Assume the following cooling loads are given:

- Minimum total capacity (TC) = 43.4 MBH
- Minimum sensible capacity (SC) = 28.3 MBH
- Minimum outdoor air = 20%
- Room volume = 9,000 cubic feet
- Desired number of air changes per hour = 8
- Supply water temperature = 45°F EWT

Step 3: Determine Air Quantity Required

Equation 3 on page 56 indicates that to obtain eight room volumes per hour, a unit capable of delivering 1200 CFM standard air must be used, as follows:

$$\text{CFM} = \frac{(\text{Room Volume Ft}^3) \times (\text{Room Changes per Hour})}{80}$$

$$\text{CFM} = \frac{9000 \times 8}{60} = 1200$$

This indicates that an S13 Unit Ventilator should be used which delivers 1250 CFM.

Step 4: Select Unit Size

Determine the water flow (GPM), water temperature rise and the coil pressure drop as follows:

Determine Entering Dry Bulb Temperature

The entering dry bulb (EDB) temperature is calculated using the following formula:

$$\text{EDB} = \text{Room DB} \times \frac{\% \text{RA}}{100} + \text{Outdoor DB} \times \frac{\% \text{OA}}{100}$$

$$\text{EDB} = 76(0.8) + (96)(0.2) = 80^\circ\text{F}$$

Determine Entering Wet Bulb Temperature

The entering wet bulb (EWB) temperature is determined by calculating the Enthalpy (H) at saturation, then looking up the corresponding EWB ([Table 53 on page 62](#)).

Enthalpy (H) is calculated as follows:

$$\text{Enthalpy (H)} = \text{Room Enthalpy} \times \frac{\% \text{RA}}{100} + \text{Outdoor Enthalpy} \times \frac{\% \text{OA}}{100}$$

$$\text{Enthalpy (H)} = 30.06 (0.8) + 37.66 (0.2) = 31.58 \text{ btu/lb}$$

Referring to [Table 53 on page 62](#), EWB for 31.58 btu/lb = 67°F

Look Up Capacities

Look up the Chilled Water Cooling Coil Capacity Table for our calculated values and cooling loads (ED-18507):

- Unit size: 1250 cfm
- Entering dry bulb (EDB) = 80
- Entering wet bulb (EWB) = 67°F
- Supply water temperature (EWT) = 45°F

Under these conditions, the 4-row coil produces:

- 43.3 MBH (TC)
- 28.7 MBH (SC)
- 8.8 GPM
- 6.7 ft. h₂o (WPD)
- 10°F (TR)

Leaving air temperatures dry bulb °F (LDB) and wet bulb °F (LWB) may be calculated as follows:

$$\text{LDB} = \text{EDB} - \frac{\text{SC(BTUH)}}{\text{CFM} \times 1.085} = 80 - \frac{28700}{1250 \times 1.085} = 58.8^\circ\text{F}$$

$$\text{LWBH} = \text{EWB} - \frac{\text{TC(BTUH)}}{\text{CFM} \times 4.5} = 31.62 - \frac{43300}{1250 \times 4.5} = 23.9$$

From [Table 53 on page 62](#):

LWB at 23.9 H = 56.1°F.

Note: Interpolation within each table and between sets of tables for each unit series is permissible.

For conditions of coil performance beyond the scope of the catalog selection procedures, Daikin offers computer selection programs for chilled water, hot water and steam coils. Consult your local Daikin representative for details.

Table 53: Enthalpy (H) at Saturation Btu Per Pound of Dry Air

Wet Bulb Temp. °F	Tenths of A Degree									
	0	0.1	0.2	0.3	0.4	0.5	0.6	0.7	0.8	0.9
50	20.3	20.36	20.41	20.47	20.52	20.58	20.64	20.69	20.75	20.8
51	20.86	20.92	20.97	21.03	21.09	21.15	21.2	21.26	21.32	21.38
52	21.44	21.5	21.56	21.62	21.67	21.73	21.79	21.85	21.91	21.97
53	22.02	22.08	22.14	22.2	22.26	22.32	22.38	22.44	22.5	22.56
54	22.62	22.68	22.74	22.8	22.86	22.92	22.98	23.04	23.1	23.16
55	23.22	23.28	23.34	23.41	23.47	23.53	23.59	23.65	23.72	23.78
56	23.84	23.9	23.97	24.03	24.1	24.16	24.22	24.29	24.35	24.42
57	24.48	24.54	24.61	24.67	24.74	24.8	24.86	24.93	24.99	25.06
58	25.12	25.19	25.25	25.32	25.38	25.45	25.52	25.58	26.65	25.71
59	25.78	25.85	25.92	25.98	26.05	26.12	26.19	26.26	26.32	26.39
60	26.46	26.53	26.6	26.67	26.74	26.81	26.87	26.94	27.01	27.08
61	27.15	27.22	27.29	27.36	27.43	27.5	27.57	27.64	27.71	27.78
62	27.85	27.92	27.99	28.07	28.14	28.21	28.28	28.35	28.43	28.5
63	28.57	28.64	28.72	28.79	28.87	28.94	29.01	29.09	29.16	29.24
64	29.31	29.39	29.46	29.54	29.61	29.69	29.76	29.84	29.91	29.99
65	30.06	30.14	30.21	30.29	30.37	30.45	30.52	30.6	30.68	30.78
66	30.83	30.91	30.99	31.07	31.15	31.23	31.3	31.38	31.46	31.54
67	31.62	31.7	31.78	31.86	31.94	32.02	32.1	32.18	32.26	32.34
68	32.42	32.5	32.59	32.67	32.75	32.84	32.92	33	33.08	33.17
69	33.25	33.33	33.42	33.5	33.59	33.67	33.75	33.84	33.92	34.01
70	34.09	34.18	34.26	34.35	34.43	34.52	34.61	34.69	34.78	34.86
71	34.95	35.04	35.13	35.21	35.3	35.39	35.48	35.57	35.65	35.74
72	35.83	35.92	36.01	36.1	36.19	36.29	36.38	36.47	36.56	36.65
73	36.74	36.83	36.92	37.02	37.11	37.2	37.29	37.38	37.48	37.57
74	37.66	37.76	37.85	37.95	38.04	38.14	38.23	38.33	38.42	38.52
75	38.61	38.71	38.8	38.9	38.99	39.09	39.19	39.28	39.38	39.47
76	39.57	39.67	39.77	39.87	39.97	40.07	40.17	40.27	40.37	40.47
77	40.57	40.67	40.77	40.87	40.97	41.08	41.18	41.28	41.38	41.48
78	41.58	41.68	41.79	41.89	42	42.1	42.2	42.31	42.41	42.52
79	42.62	42.73	42.83	42.94	43.05	43.16	43.26	43.37	43.48	43.58
80	43.69	43.8	43.91	44.02	44.13	44.24	44.34	44.45	44.56	44.67
81	44.78	44.89	45	45.12	45.23	45.34	45.45	45.56	45.68	45.79
82	45.9	46.01	46.13	46.24	46.36	46.47	46.58	46.7	46.81	46.93
83	47.04	47.16	47.28	47.39	47.51	47.63	47.75	47.87	47.98	48.1
84	48.22	48.34	48.46	48.58	48.7	48.83	48.95	49.07	49.19	49.31
85	49.43	49.55	49.68	49.8	49.92	50.05	50.17	50.29	50.41	50.54

Hot Water Heating Selection

For proper temperature control, do not oversize the heating coil. Select the hot water coil that just slightly exceeds the required heating capacity. Hot water coils are offered in three capacities. The low-capacity (65) coil and the high-capacity (66) coil can be used as heating only or in conjunction with a chilled-water or direct expansion cooling coil. The 3-row hot water coil (67) can be used as a super-high-capacity hot water coil in applications that require high heating capacities, such as in extremely cold climates or when a high percentage of outdoor air is utilized.

A 4-row heating coil cannot be used in conjunction with a separate cooling (4-row) coil since there is only sufficient space in the unit to accommodate a total of 6 rows of coil. See "Available Coil Combinations" on page 21.

Quick Selection Method Using MBH/ΔT

Once the unit size has been selected, the MBH/ΔT factor can be utilized to quickly and accurately determine coil size and minimum GPM, where:

$$\Delta T = \text{Entering Water Temp} - \text{Entering Air Temp}$$

For example, assume an entering water temperature of 180°F, an entering air temperature of 55°F and a total heating load of 75 MBH. Then,

$$\Delta T = 180 - 55 = 125$$

and,

$$MBH/\Delta T = 75/125 = 0.6$$

Assume we want to size for the S13, 1250 cfm unit determined in the coil selection example previously given for cooling. Referring to Figure 84 on page 64 through Figure 87:

1. Enter each chart at MBH/ΔT = 0.6.
2. Move horizontally to the right to intersect the unit 1250 curve.
3. Project downward for GPM requirement.

It is quickly seen that the 1-row coil (Figure 84 on page 64) does not meet the heating load. The 2-row coil (Figure 85 on page 65) can meet the requirement with 3.4 GPM. The 4-row coil (Figure 87 on page 66) is somewhat oversized.

Two-Pipe Chilled-Water/Hot-Water Applications

The foregoing selection procedures are for heating-only or for 4-pipe heating/cooling applications using separate heating and cooling coils.

In 2-pipe chilled-water/hot-water applications, the same coil is used for chilled water during the cooling season and for hot water during the heating season. In this case, the same GPM will be used for hot water as was required for chilled water. It is necessary to determine only the supply water temperature required to satisfy the heating requirements. To do so:

1. Enter the appropriate chart at the known GPM.
2. Project upward to the size unit that is to be used.
3. Project a line horizontally across to obtain MBH/ΔT.
4. Divide the required MBH by the MBH/ΔT factor obtained from the chart.

This will give the required temperature difference between the supply water temperature and the entering air temperature. Supply water temperature can then be determined by adding the entering air temperature to this temperature difference.

Note: For 2-pipe chilled-water/hot-water coils, heating capacity is approximately 4 to 5% higher than that for standard capacity coils at the same GPM.

Table 54: Hot Water Coil Pressure Drop (Ft. H2o)

Unit Size	Coil Rows	Water Flow (GPM)						
		2	4	6	8	10	12	14
07 750 cfm Nominal	1 row coil	0.6	2.5					
	2 row coil	1.2	4.9	11.0	19.5			
	3 row coil		2.6	5.8	10.3	16.1		
	4 row coil			6.6	11.7	18.2	26.2	
	5 row coil			7.2	12.1	18.1	25.1	
10 1000 cfm Nominal	1 row coil	0.6	2.5	5.7				
	2 row coil		3.4	7.7	13.7			
	3 row coil		2.9	6.4	11.4	17.8	25.7	
	4 row coil			4.3	7.7	12.0	17.3	23.6
	5 row coil			2.7	4.7	7.3	10.4	14.0
13 1250 cfm Nominal	1 row coil	0.6	2.6	5.8	10.3			
	2 row coil		2.3	5.2	9.2			
	3 row coil			2.9	5.1	7.9	11.4	
	4 row coil			3.1	5.5	8.7	12.5	17.0
	5 row coil			3.2	5.4	8.2	11.6	15.4
15 1500 cfm Nominal	1 row coil	0.7	2.8	6.4	11.4			
	2 row coil		2.6	5.9	10.5			
	3 row coil			3.3	5.9	9.2	13.2	
	4 row coil			2.4	4.2	6.6	9.4	12.9
	5 row coil			3.4	5.9	9.0	12.7	17.0

Note: The 2 gpm shown for capacity data is minimum recommended. Less than 2 gpm results in laminar flow in which heat transfer is unstable and therefore unpredictable.

Two-Pipe Selection Example

In the example previously given for cooling, the required flow rate was 12.5 GPM for the 4 row coil in an S13 unit with 1250 cfm. If we assume a heating load of 74 MBH, we can determine the required temperature difference as follows:

- 1 Enter the 4-row table (Figure 87 on page 66) with 12.5 GPM.
- 2 Project up to the 1250 curve.
- 3 Project horizontally to the left to determine the MBH/ ΔT factor of about 1.03.
- 4 Divide the required MBH (74) by the MBH/ ΔT factor obtained (1.03) from the chart. The resulting temperature difference is 70.

With a room design temperature of 70°F and assuming 20% outdoor air, the entering air temperature would be:
 $0 (.20) + 70 (.80) = 56^\circ\text{F}$

Therefore, the required supply water temperature would be: $70^\circ\text{F} + 56^\circ\text{F} = 126^\circ\text{F}$

Note: *The 4 row coil has a very high heating capacity since it is sized for air conditioning. For this reason, a low entering water temperature will usually satisfy the heating requirements. This temperature may be too low for other equipment (such as radiation or convectors) in the system. It is important that supply water temperature be kept as close to that required by the unit ventilator as possible. Higher than required water temperature can result in poor temperature control resulting in overheating.*

Figure 84: 1-Row Hot Water Coil

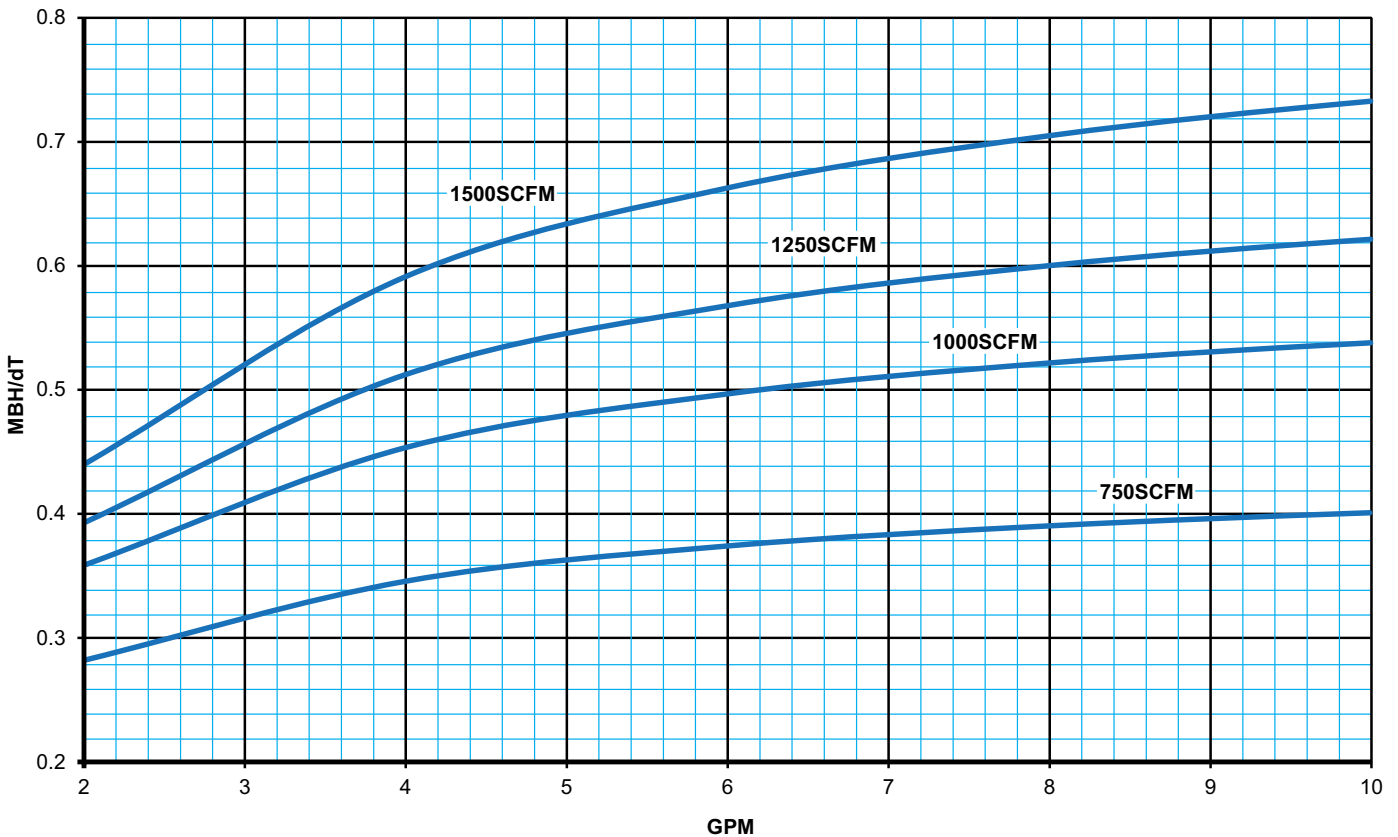


Figure 85: 2-Row Hot Water Coil (Parallel Flow)

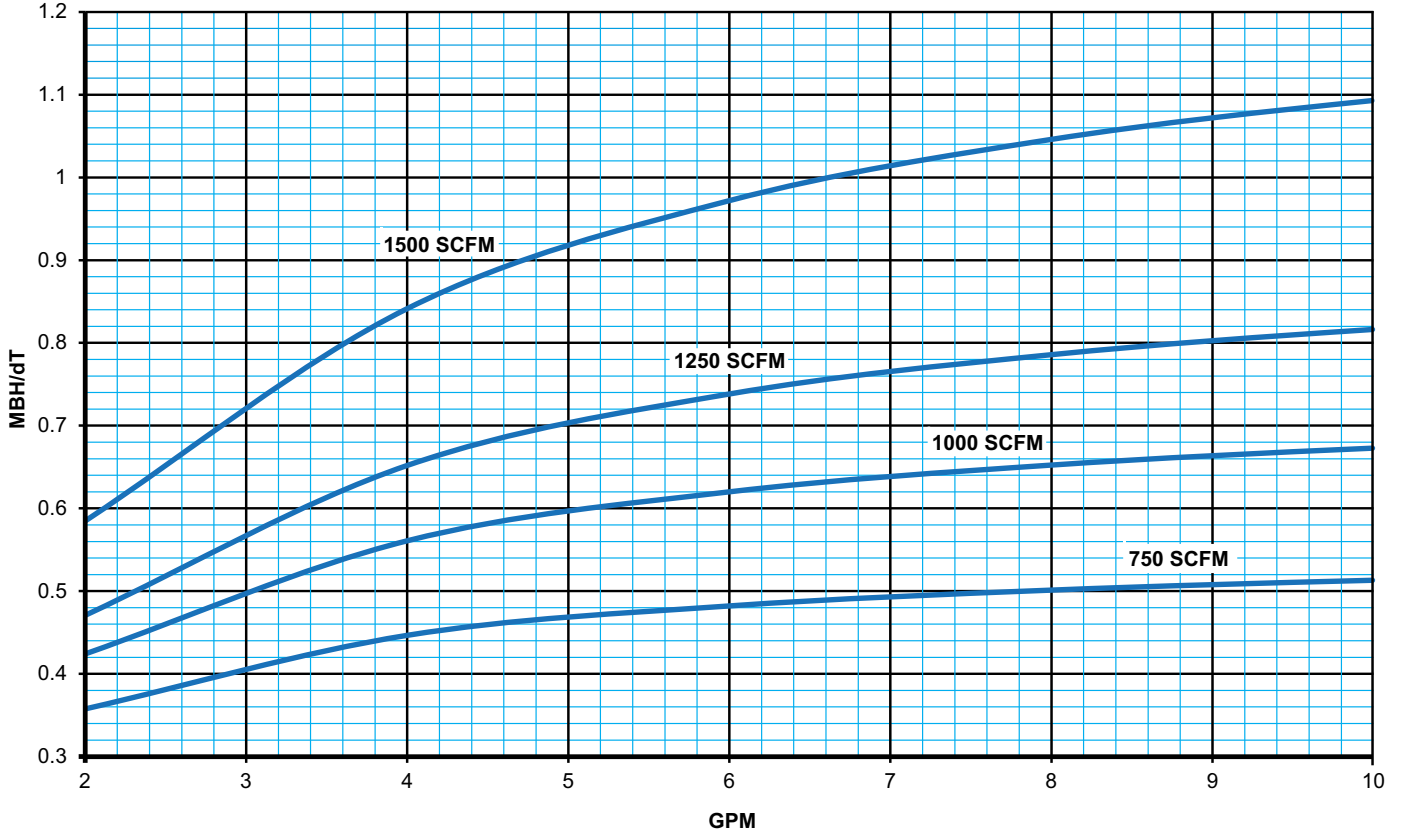


Figure 86: 3-Row Hot Water Coil (Parallel Flow)

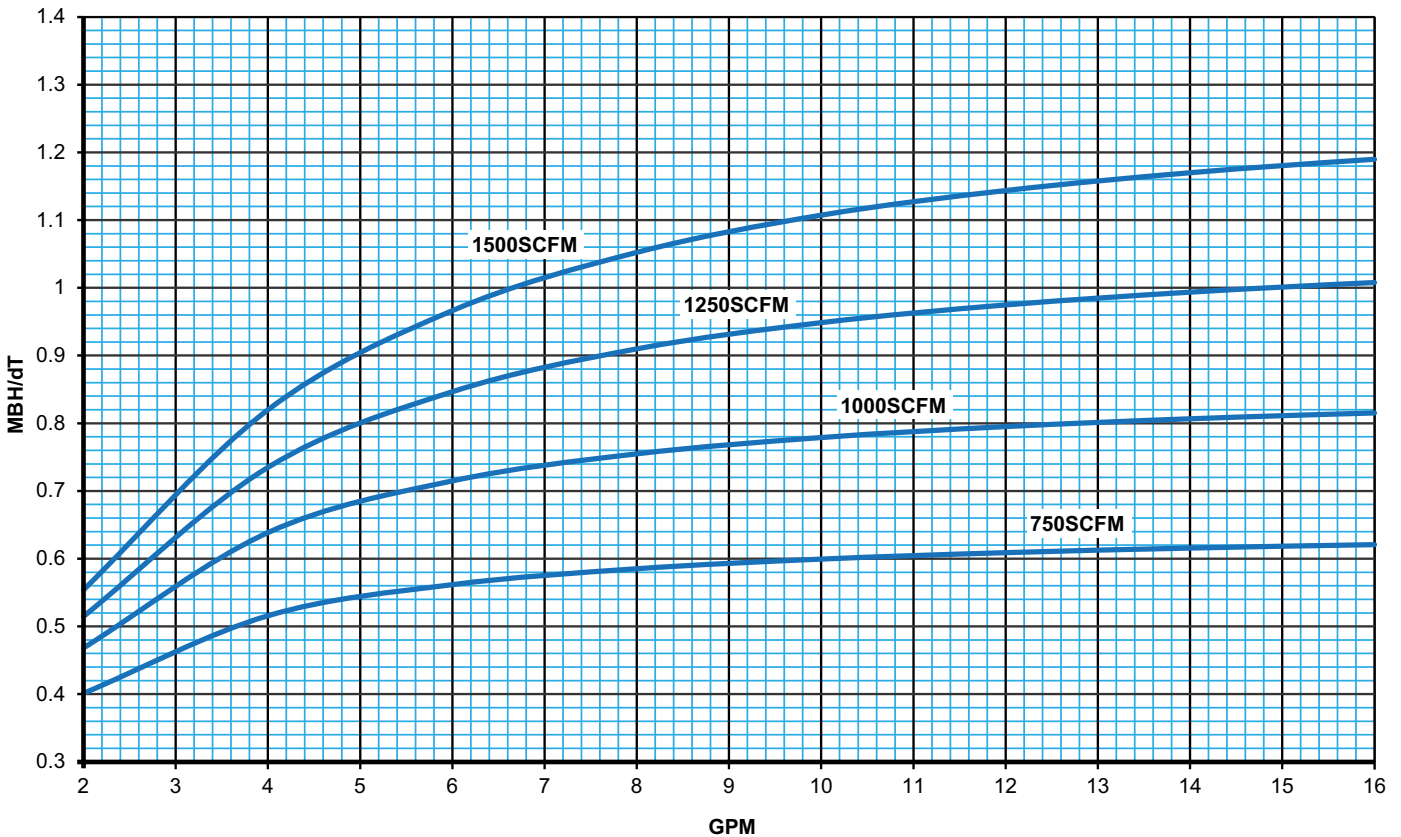
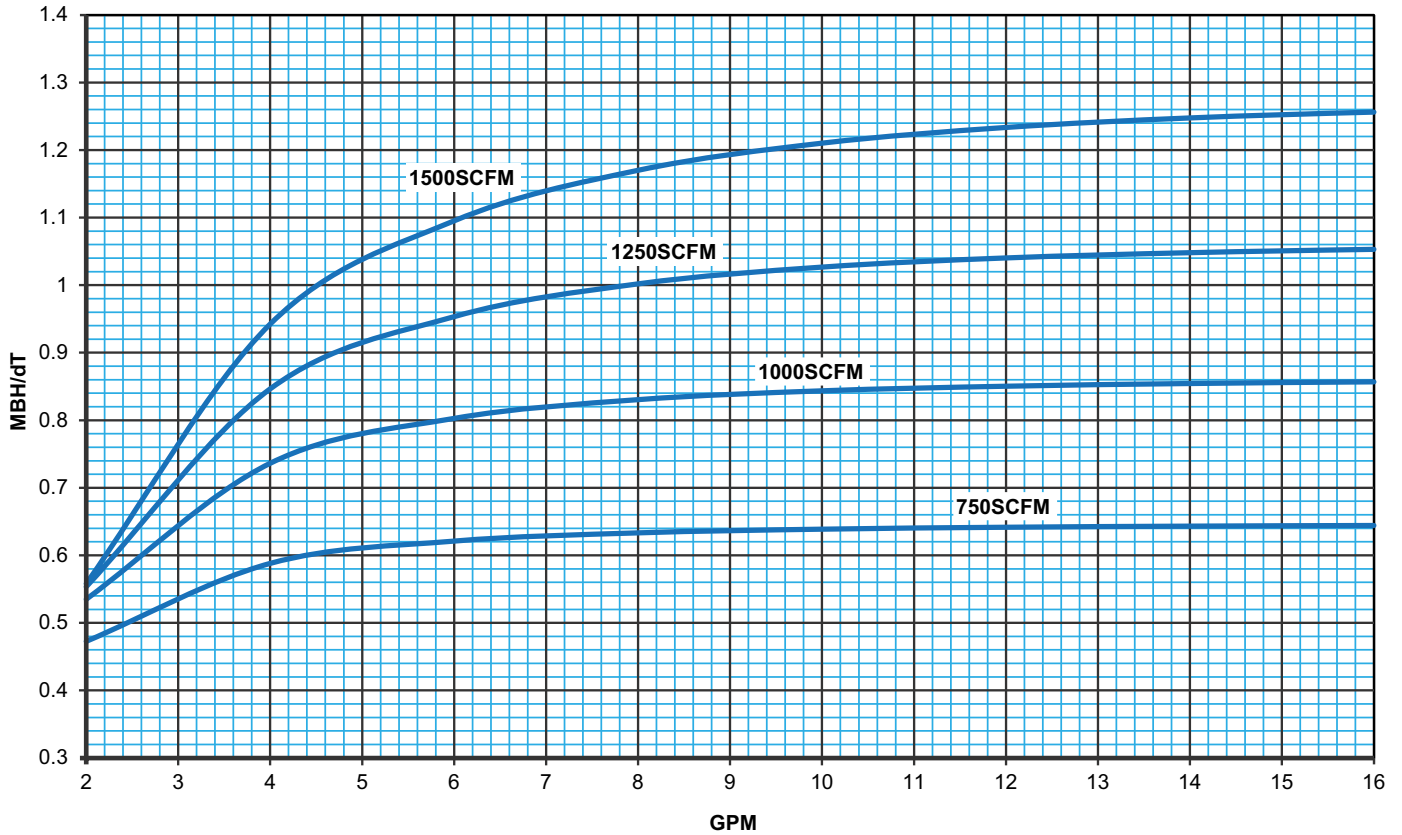


Figure 87: 4-Row, 2-Pipe Cold Water/Hot Water Coil (Counter Flow)



Steam Heating Selection

The maximum allowable steam pressure, especially in public buildings, is often fixed by state or local boiler codes. Steam Capacity in Table 55 is based on steam supply pressure of 2 PSI gauge and steam temperature of 218.5°F. To determine total capacity for conditions other than shown in the Steam Capacity Table 55, multiply the total capacity given by the proper constant from the Steam Capacity Correction Factor in Table 56 on page 67.

Maximum steam pressure is 15 PSIG at coil inlet.

Traps are by others. Either float and thermostatic traps or thermostatic traps may be used.

Table 55: Steam Heating Capacities - 2# Steam Coils

Unit	Coil Capacity	Airflow SCFM	Entering Air Temperature °F																			
			-20		-10		0		10		20		30		40		50		60		70	
			MBH	LAT, db	MBH	LAT, db	MBH	LAT, db	MBH	LAT, db	MBH	LAT, db	MBH	LAT, db	MBH	LAT, db	MBH	LAT, db	MBH	LAT, db	MBH	LAT, db
750	Std	750	55.1	47.8	52.7	54.9	50.3	61.8	47.8	68.8	45.3	75.7	42.7	82.6	40.0	89.2	37.3	95.9	35.6	103.8	32.9	110.5
	High		73.0	69.8	69.8	75.8	66.5	81.8	63.2	87.7	59.8	93.5	56.4	99.3	52.7	104.8	49.1	110.4	45.4	115.8	41.6	121.1
1000	Std	1000	82.1	55.8	78.7	62.6	75.2	69.3	71.6	76.0	68.0	82.7	65.6	90.5	61.8	97.0	58.0	103.5	54.1	109.9	50.4	116.5
	High		98.3	70.6	94.1	76.8	89.9	82.9	85.6	89.0	81.3	95.0	77.0	101.0	72.3	106.7	67.7	112.4	63.0	118.1	58.4	123.9
1250	Std	1250	97.0	51.6	93.0	58.6	89.0	65.7	85.0	72.7	80.9	79.7	76.7	86.6	72.3	93.3	67.9	100.1	63.5	106.9	59.9	114.2
	High		122.6	70.4	117.6	76.7	112.5	83.0	107.3	89.2	102.1	95.3	96.8	101.4	91.2	107.3	85.6	113.2	80.0	119.0	74.4	124.9
1500	Std	1500	121.3	54.6	116.5	61.6	111.5	68.5	106.5	75.5	101.4	82.3	96.3	89.2	90.8	95.8	85.5	102.5	80.0	109.2	75.6	116.5
	High		140.0	66.0	134.3	72.5	128.5	79.0	123.6	86.0	117.7	92.4	111.8	98.7	105.5	104.8	99.2	111.0	92.8	117.1	86.6	123.2

Table 56: Steam Capacity Correction Factors

Steam Pressure PSIG	Entering Air Temperature Mixture, °F									
	-20	-10	0	10	20	30	40	50	60	70
0	0.97	0.97	0.97	0.96	0.97	0.97	0.97	0.96	0.96	0.96
2	1.00	1.00	1.00	1.00	1.00	1.00	1.00	1.00	1.00	1.00
5	1.02	1.03	1.03	1.03	1.04	1.05	1.05	1.05	1.05	1.05

Electric Heating Selection

Table 57: Electric Heat Capacities

Unit Type	AVS AVR	AVV AVR	AVS AVR	AVV AVR	AVS AVR	AVV AVR	AVS AVR	AVV AVR
CFM	750 (07)		1000 (10)		1250 (13)		1500 (15)	
Number of Electric Elements	3	6	3	6	3	6	3	6
208 Volt Units								
KW	6.0	12.0	8.0	16.0	10.0	20.0	12.0	24.0
MBH	20.5	41.0	27.3	54.6	34.1	68.3	41.0	81.9
Final Air Temp F (70°F entering air temp)	95.2	120.3	95.2	120.3	95.2	120.3	95.2	120.3
Air Temperature Rise	25.2	50.3	25.2	50.3	25.2	50.3	25.2	50.3
230, 265 or 460 Volt Units								
KW	5.5	11.0	7.4	14.7	9.2	18.4	11.0	22.0
MBH	18.8	37.5	25.3	50.2	31.4	62.8	37.5	75.1
Final Air Temp F (70°F entering air temp)	93.2	116.2	93.2	116.2	93.2	116.2	93.2	116.2
Air Temperature Rise	23.2	46.2	23.2	46.2	23.2	46.2	23.2	46.2

Direct Expansion Cooling Coil Selection

Proper sizing of the field-supplied condensing units is important for trouble-free operation. An oversized condensing unit can reduce performance and cause operational problems such as:

- Compressor short cycling due to rapid pull down.
- Poor temperature and humidity control.
- Low saturated evaporator coil conditions.
- Low discharge air temperatures.

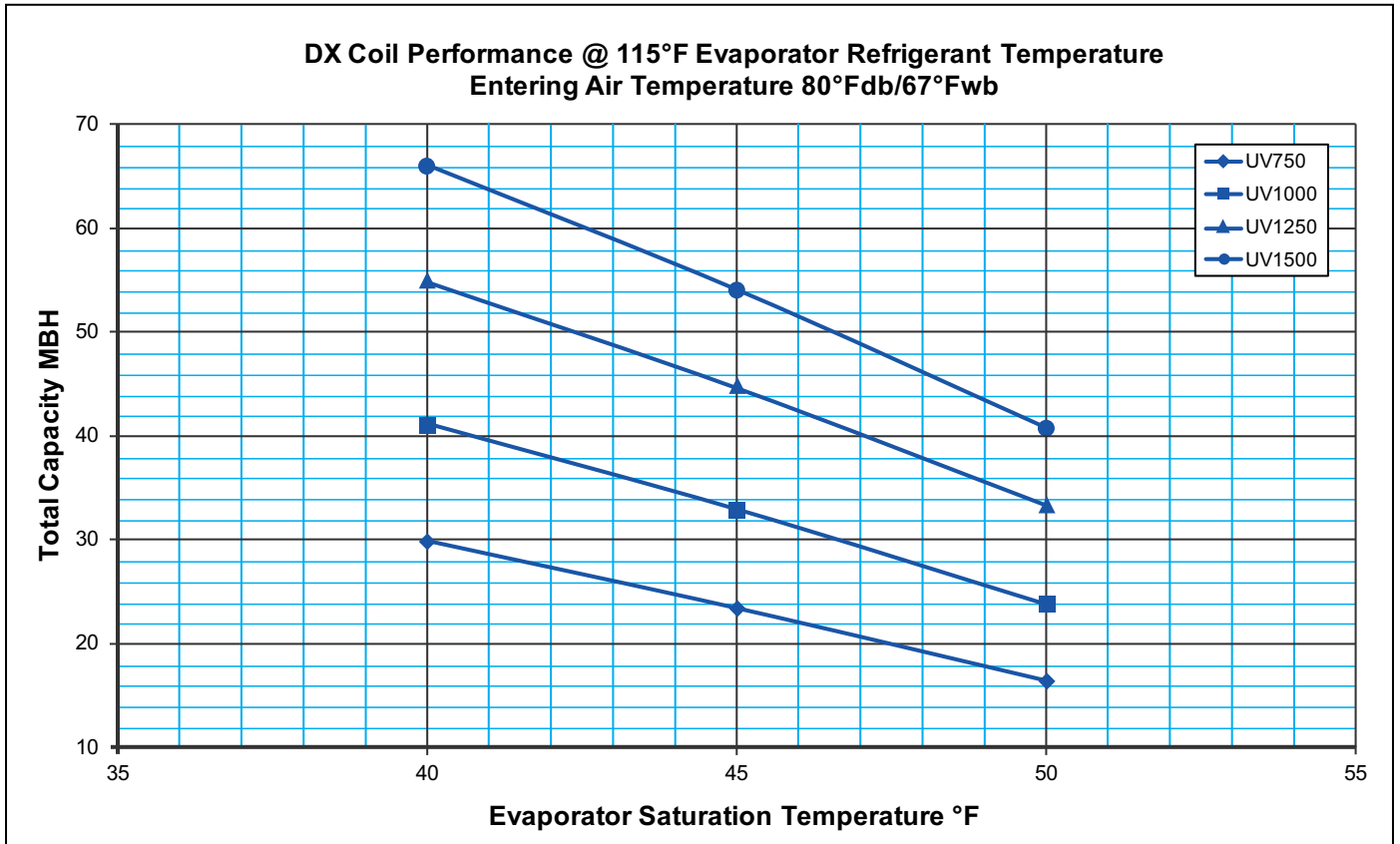
To properly size the unit ventilator, determine the cooling load based on May and September conditions at 1 pm when the classroom is occupied. Do not select units for July and August after 3 pm when the classroom is unoccupied. If the calculated cooling load falls between two unit sizes, select the smaller of the two units to minimize the potential problems seen with oversized units.

Figure 88 shows the total capacity of the unit ventilator versus saturated evaporator temperature. The condensing unit manufacturer’s capacity versus saturated suction temperature can be cross-plotted on this chart with an allowance for suction line loss. The total capacity and saturated suction temperature for the total system can be determined from this cross plot. The sensible capacity can be determined by multiplying the total capacity by the sensible heat factor shown in Table 58.

Table 58: Sensible Factor at 45°F Saturation Temperature

750	1000	1250	1500
0.74	0.75	0.74	0.76

Figure 88: 2" DX Coil Estimated Performance (Mbh at 115°F Liquid Temperature)



PSC Motor
Table 59: Electrical Data – PSC Motor

Unit Type	AVS	AVS	AVV	AVS	AVS	AVV	AVS	AVS	AVV	AVS	AVS	AVV	
	AVB AVV AVR	AVV AVR	AVR	AVB AVV AVR	AVV AVR	AVR	AVB AVV AVR	AVV AVR	AVR	AVB AVV AVR	AVV AVR	AVR	
CFM	750			1000			1250			1500			
Indoor Fan Motor HP	0.25			0.25			0.25			0.25			
# of Electric Heater Elements	–	3	6	–	3	6	–	3	6	–	3	6	
115-60-1	Indoor Fan Motor Nameplate Amps	3.2	–	–	3.2	–	–	3.2	–	–	3.2	–	–
	Electric Heater Amps	–	–	–	–	–	–	–	–	–	–	–	–
	Unit Minimum Circuit Ampacity	4.00	–	–	4.00	–	–	4.00	–	–	4.00	–	–
	Max Fuse Size or Circuit Breaker	15	–	–	15	–	–	15	–	–	15	–	–
208-60-1	Indoor Fan Motor Nameplate Amps	3.2	3.2	3.2	3.2	3.2	3.2	3.2	3.2	3.2	3.2	3.2	3.2
	Electric Heat KW	–	6.0	12.0	–	8.0	16.0	–	10.0	20.0	–	12.0	24.0
	Electric Heater Amps	–	28.8	57.7	–	38.5	76.9	–	48.1	96.2	–	57.7	115.4
	Unit Minimum Circuit Ampacity	2.30	38.25	74.38	2.30	50.38	98.38	2.30	62.38	122.50	2.30	74.38	146.50
	Max Fuse Size or Circuit Breaker	15	40	80	15	60	100	15	70	125	15	80	150
230-60-1	Indoor Fan Motor Nameplate Amps	3.2	3.2	3.2	3.2	3.2	3.2	3.2	3.2	3.2	3.2	3.2	3.2
	Electric Heat KW	–	5.5	11.0	–	7.4	14.7	–	9.2	18.4	–	11.0	22.1
	Electric Heater Amps	–	25.0	50.0	–	33.3	66.7	–	41.7	83.3	–	50.0	100.0
	Unit Minimum Circuit Ampacity	2.00	33.25	64.50	2.00	43.63	85.38	2.00	54.08	106.13	2.00	64.50	127.00
	Max Fuse Size or Circuit Breaker	15	35	70	15	45	90	15	60	110	15	70	150
265-60-1	Indoor Fan Motor Nameplate Amps	3.2	3.2	3.2	3.2	3.2	3.2	3.2	3.2	3.2	3.2	3.2	3.2
	Electric Heat KW	–	5.5	11.0	–	7.4	14.7	–	9.2	18.4	–	11.0	22.1
	Electric Heater Amps	–	21.7	43.3	–	28.9	57.8	–	36.1	72.2	–	43.3	86.6
	Unit Minimum Circuit Ampacity	1.80	28.88	55.88	1.80	37.88	74.00	1.80	46.88	92.00	1.80	55.88	110.00
	Max Fuse Size or Circuit Breaker	15	30	60	15	40	80	15	50	100	15	60	125
208-60-3	Indoor Fan Motor Nameplate Amps	–	3.2	3.2	–	3.2	3.2	–	3.2	3.2	–	3.2	3.2
	Electric Heat KW	–	6.0	12.0	–	8.0	16.0	–	10.0	20.0	–	12.0	24.0
	Electric Heater Amps	–	16.7	33.3	–	22.2	44.4	–	27.8	55.5	–	33.3	66.7
	Unit Minimum Circuit Ampacity	–	23.13	43.88	–	30.00	57.75	–	37.00	71.63	–	43.88	85.63
	Max Fuse Size or Circuit Breaker	–	25	45	–	35	60	–	40	80	–	45	90
230-60-3	Indoor Fan Motor Nameplate Amps	–	3.2	3.2	–	3.2	3.2	–	3.2	3.2	–	3.2	3.2
	Electric Heat KW	–	5.5	11.0	–	7.4	14.7	–	9.2	18.4	–	11.0	22.1
	Electric Heater Amps	–	14.5	28.9	–	19.3	38.5	–	24.1	48.2	–	28.9	57.8
	Unit Minimum Circuit Ampacity	–	20.06	38.13	–	26.09	50.13	–	32.13	62.25	–	38.13	74.25
	Max Fuse Size or Circuit Breaker	–	25	40	–	30	60	–	35	70	–	40	80
460-60-3	Indoor Fan Motor Nameplate Amps	–	3.2	3.2	–	3.2	3.2	–	3.2	3.2	–	3.2	3.2
	Electric Heat KW	–	5.5	11.0	–	7.4	14.7	–	9.2	18.4	–	11.0	22.1
	Electric Heater Amps	–	7.2	14.5	–	9.6	19.3	–	12.0	24.1	–	14.5	28.9
	Unit Minimum Circuit Ampacity	–	10.04	19.13	–	13.04	25.09	–	16.05	31.13	–	19.06	37.13
	Max Fuse Size or Circuit Breaker	–	15	20	–	15	30	–	20	35	–	20	40

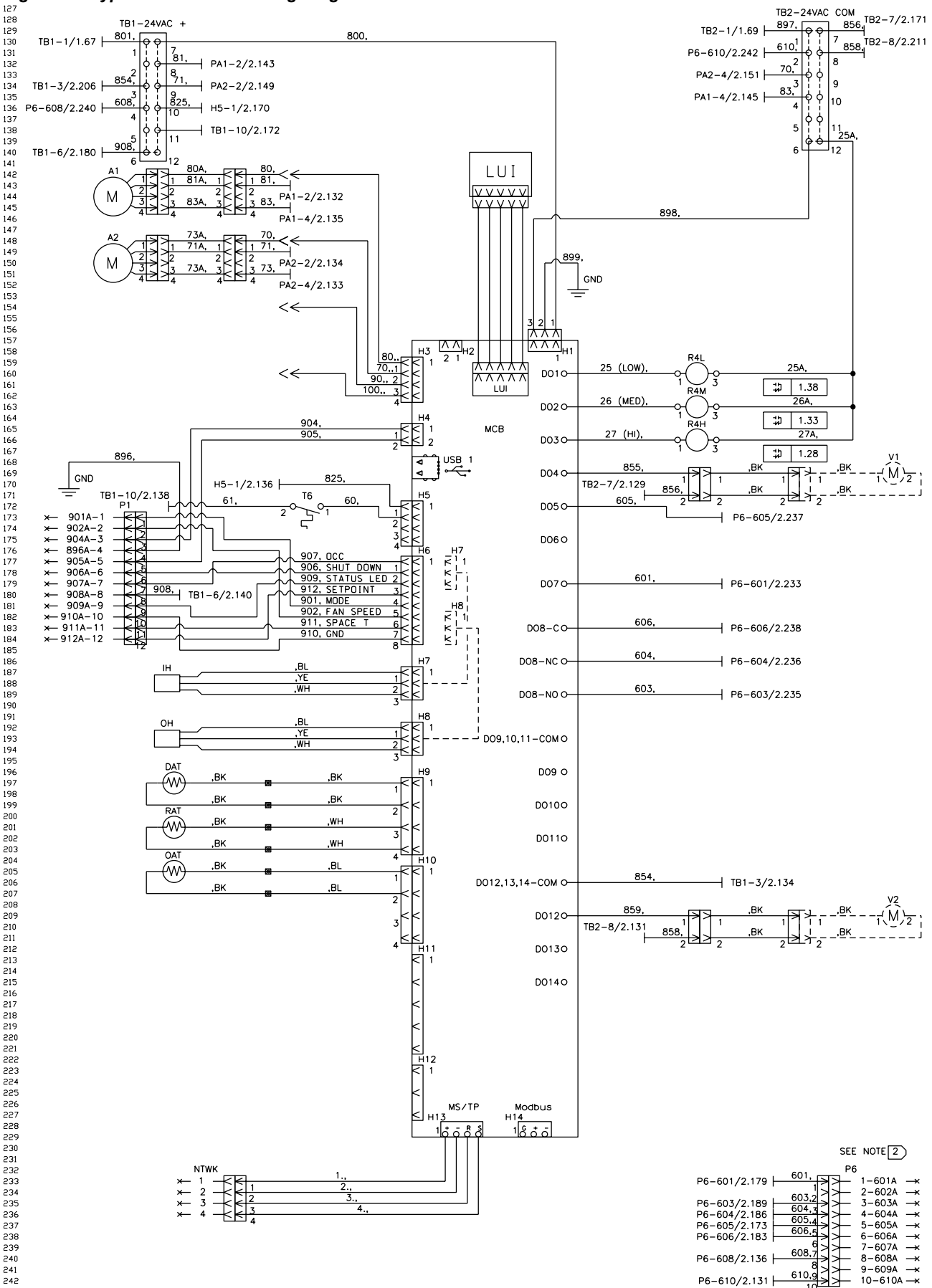
EC Motor

Table 60: Electrical Data – EC Motor

Unit Type	AVS	AVS	AVV	AVS	AVS	AVV	AVS	AVS	AVV	AVS	AVS	AVV	
	AVB AVV AVR	AVV AVR	AVR	AVB AVV AVR	AVV AVR	AVR	AVB AVV AVR	AVV AVR	AVR	AVB AVV AVR	AVV AVR	AVR	
CFM	750			1000			1250			1500			
Indoor Fan Motor HP	0.33			0.33			0.33			0.33			
# Elect Heat Elements	–	3	6	–	3	6	–	3	6	–	3	6	
115-60-1	Indoor Fan Motor Nameplate Amps	5.0	–	–	5.0	–	–	5.0	–	–	5.0	–	–
	Electric Heater Amps	–	–	–	–	–	–	–	–	–	–	–	–
	Unit MCA	6.25	–	–	6.25	–	–	6.25	–	–	6.25	–	–
	Max Fuse Size or Circuit Breaker	15	–	–	15	–	–	15	–	–	15	–	–
208-60-1	Indoor Fan Motor Nameplate Amps	3.0	3.0	3.0	3.0	3.0	3.0	3.0	3.0	3.0	3.0	3.0	3.0
	Electric Heat KW	–	6.0	12.0	–	8.0	16.0	–	10.0	20.0	–	12.0	24.0
	Electric Heater Amps	–	28.8	57.7	–	38.5	76.9	–	48.1	96.2	–	57.7	115.4
	Unit MCA	3.75	39.75	75.88	3.75	51.88	99.88	3.75	63.88	124.00	3.75	75.88	148.00
Max Fuse Size or Circuit Breaker	15	40	80	15	60	100	15	70	125	15	80	150	
230-60-1	Indoor Fan Motor Nameplate Amps	2.8	2.8	2.8	2.8	2.8	2.8	2.8	2.8	2.8	2.8	2.8	2.8
	Electric Heat KW	–	5.5	11.0	–	7.4	14.7	–	9.2	18.4	–	11.0	22.1
	Electric Heater Amps	–	25.0	50.0	–	33.3	66.7	–	41.7	83.3	–	50.0	100.0
	Unit MCA	3.50	34.75	66.00	3.50	45.13	86.88	3.50	55.59	107.63	3.50	66.00	128.50
Max Fuse Size or Circuit Breaker	15	35	70	15	50	90	15	60	110	15	70	150	
265-60-1	Indoor Fan Motor Nameplate Amps	2.6	2.6	2.6	2.6	2.6	2.6	2.6	2.6	2.6	2.6	2.6	2.6
	Electric Heat KW	–	5.5	11.0	–	7.4	14.7	–	9.2	18.4	–	11.0	22.1
	Electric Heater Amps	–	21.7	43.3	–	28.9	57.8	–	36.1	72.2	–	43.3	86.6
	Unit MCA	3.25	30.38	57.38	3.25	39.38	75.50	3.25	48.38	93.50	3.25	57.38	111.50
Max Fuse Size or Circuit Breaker	15	35	60	15	40	80	15	50	100	15	60	125	
208-60-3	Indoor Fan Motor Nameplate Amps	–	3.0	3.0	–	3.0	3.0	–	3.0	3.0	–	3.0	3.0
	Electric Heat KW	–	6.0	12.0	–	8.0	16.0	–	10.0	20.0	–	12.0	24.0
	Electric Heater Amps	–	16.7	33.3	–	22.2	44.4	–	27.8	55.5	–	33.3	66.7
	Unit MCA	–	24.63	45.38	–	31.50	59.25	–	38.50	73.13	–	45.38	87.13
Max Fuse Size or Circuit Breaker	–	25	50	–	35	60	–	40	80	–	50	90	
230-60-3	Indoor Fan Motor Nameplate Amps	–	2.8	2.8	–	2.8	2.8	–	2.8	2.8	–	2.8	2.8
	Electric Heat KW	–	5.5	11.0	–	7.4	14.7	–	9.2	18.4	–	11.0	22.1
	Electric Heater Amps	–	14.5	28.9	–	19.3	38.5	–	24.1	48.2	–	28.9	57.8
	Unit MCA	–	21.63	39.63	–	27.63	51.63	–	33.63	63.75	–	39.63	75.75
Max Fuse Size or Circuit Breaker	–	25	40	–	30	60	–	35	70	–	40	80	
460-60-3	Indoor Fan Motor Amps*	–	5.0	5.0	–	5.0	5.0	–	5.0	5.0	–	5.0	5.0
	Electric Heat KW	–	5.5	11.0	–	7.4	14.7	–	9.2	18.4	–	11.0	22.1
	Electric Heater Amps	–	7.2	14.5	–	9.6	19.3	–	12.0	24.1	–	14.5	28.9
	Unit MCA	–	10.60	19.63	–	13.60	25.69	–	16.61	31.69	–	19.63	37.69
Max Fuse Size or Circuit Breaker	–	15	20	–	15	30	–	20	35	–	20	40	

* Fan Motor is 115/60/1

Figure 89: Typical MicroTech Wiring Diagram – 115V / 60Hz / 1Ph



Note: See Figure 90 on page 72 for typical MicroTech service and disconnect wiring and wiring schematic legend.

Figure 90: Typical MicroTech Wiring Diagram – Service and Disconnect – 115V / 60Hz / 1Ph

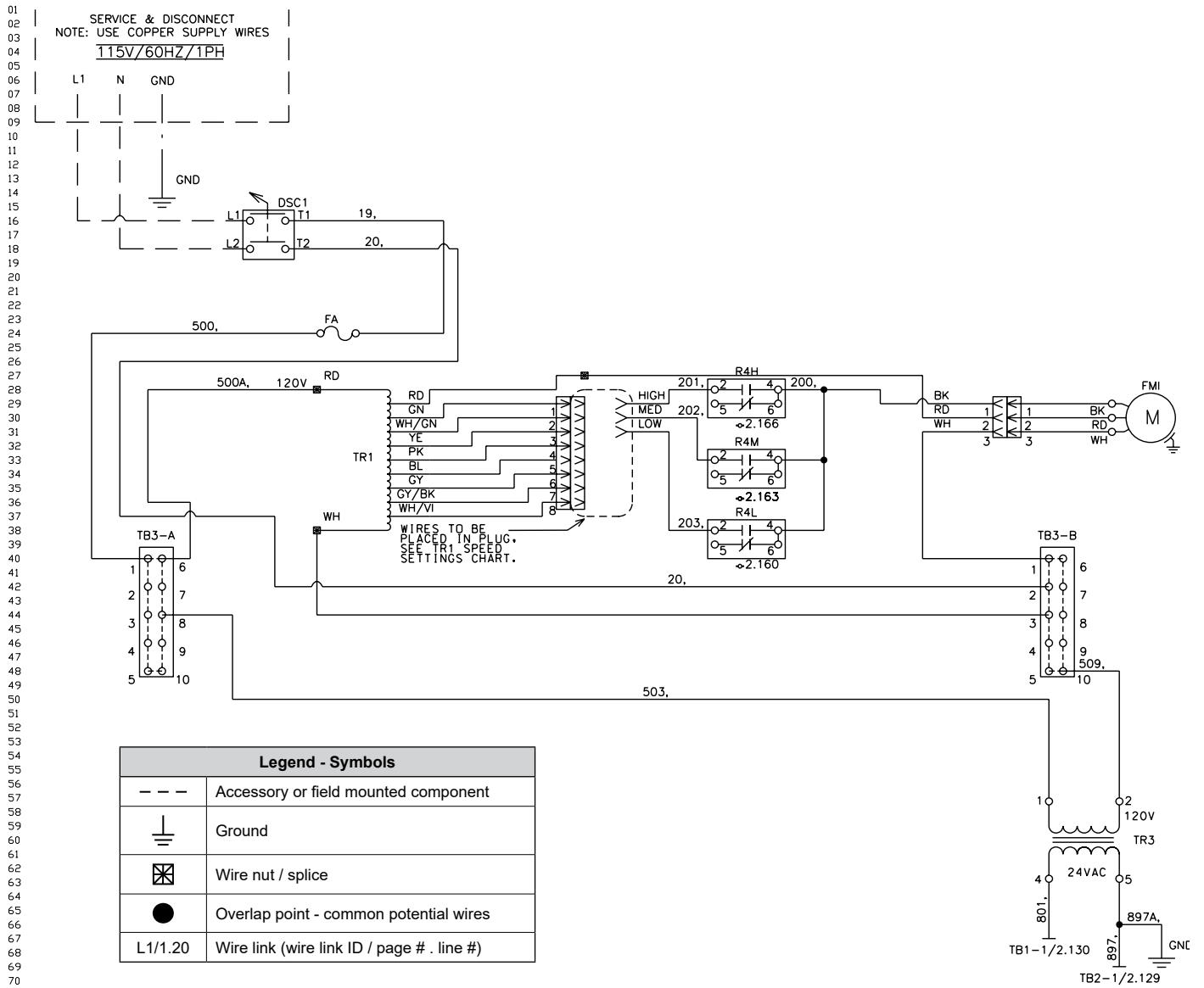


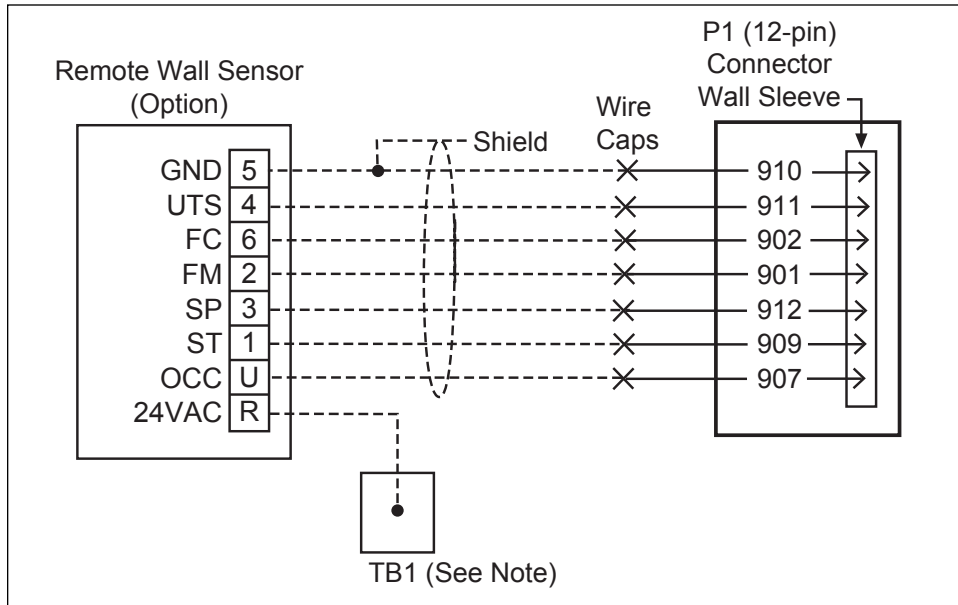
Table 61: Wiring Diagram Legend for Figure 89 on page 71 and Figure 90

Symbol	Description	Symbol	Description	Symbol	Description
A1	Actuator- Outdoor Air	OH1	Thermostat - Overheat	MCB	Main Control Board
A2	Actuator- Face & Bypass	OH2	Thermostat - Overheat	IH	Sensor - Indoor Humidity
C1	Compressor Contactor	OHM	E.H. Man Reset - Overheat Stat	OH	Sensor - Outdoor Humidity
CAP1	Capacitor Run	PL1	LED Occupancy / Fault Status	CO2	Sensor - Indoor Air CO2
CEH1-3	Electric Heat Contactor	R1-R3	Relay Electric Heat (Backup)	DCS	Switch - Unit Power
DF	Dead Front Switch	R10-R12	Relay - Electric Heat	TB1	Terminal Block - 24VAC+
F1A/F1B	Fuse - Compressor	R4H	Relay - Fan High Speed	TB2	Terminal Block - 24VAC Gnd
F2A/F3C	Fuse - Electric Heat	R4M	Relay - Fan Medium Speed	TB3	(A, B) Terminal Block - Main Power
FA/FB	Fuse - Control, Load	R4L	Relay - Fan Low Speed	TBE	Terminal Block - Electric Heat
FC/FD	Fuse - Control, Transformer	R32	Relay - Drain Pan Heater	TR1	Transformer - Motor Speed
HP	High Pressure Switch	R28	Relay - Outdoor Motor Air	TR3	Transformer - 208 / 230V-24V, 75VA
EH1-6	Heater - Electric	RV	Reversing Valve	TR4	Transformer - 460V-230V
EH10	Heater - Outdoor Drain Pan	RAT	Sensor - Room Air Temperature	TR5	Transformer - 208 / 230V-24V
FMI	Motor - Room Fan	DAT	Sensor - Discharge Air Temperature	V1	Valve - Heat EOC (Accessory)
CP1	Motor Compressor 2-Stage	OAT	Sensor - Outdoor Air Temperature	V2	Valve - Cool EOC (Accessory)
FMO	Motor Outdoor Air	ICT	Sensor - Indoor DX Coil Temperature	VH	Valve - Heat (Accessory)
NTWK	Network Connection	OCT	Sensor - Outdoor DX Coil Temperature	VC	Valve - Cool (Accessory)

- Notes:
- All electrical installation must be in accordance with national and local electrical codes and job wiring schematic.
 - External wiring options - see IM for the different configured options, wiring to be minimum 18 gauge, 90°C.
 - EC motors are factory programmed for specified air flow. Contact Daikin Applied for replacement.
 - Cap extra wire. Switch wire 42A to red wire for 208V operation.
 - Switch wire 509 to terminal 2 for 208V operation.
 - Devices in legend may or may not be on unit.

Typical Wall Sensors Diagram

Figure 91: Wall-Mounted Temperature Sensor Wiring



Note: The "R" terminal is used only with sensor part numbers 910247458 (6-button) and 910247448 (4-button).

Power & Control Field Wiring

Figure 92: External Input Wiring Examples with or without Daisy Chaining of Units

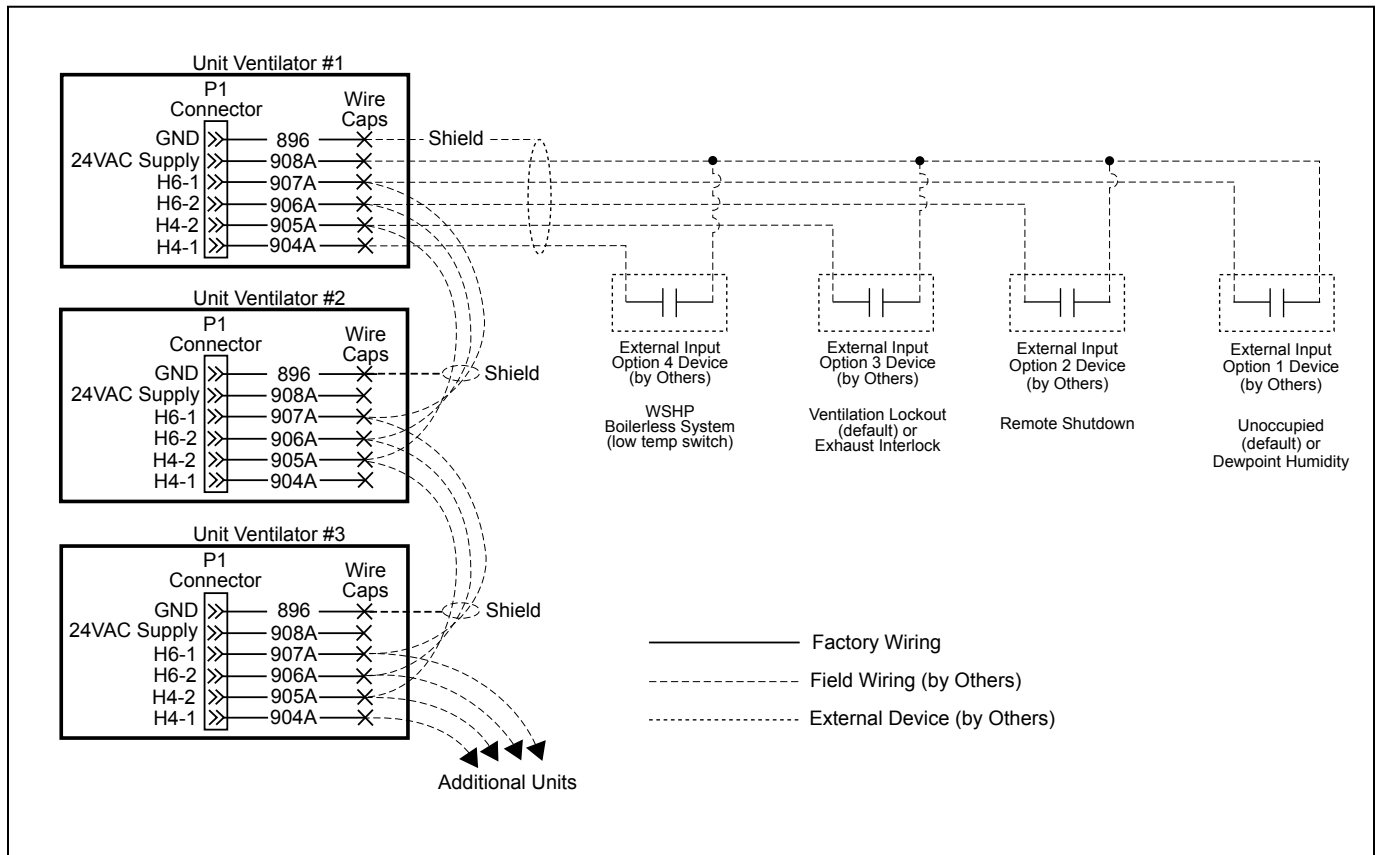


Figure 93: External Output Wiring - Single Unit

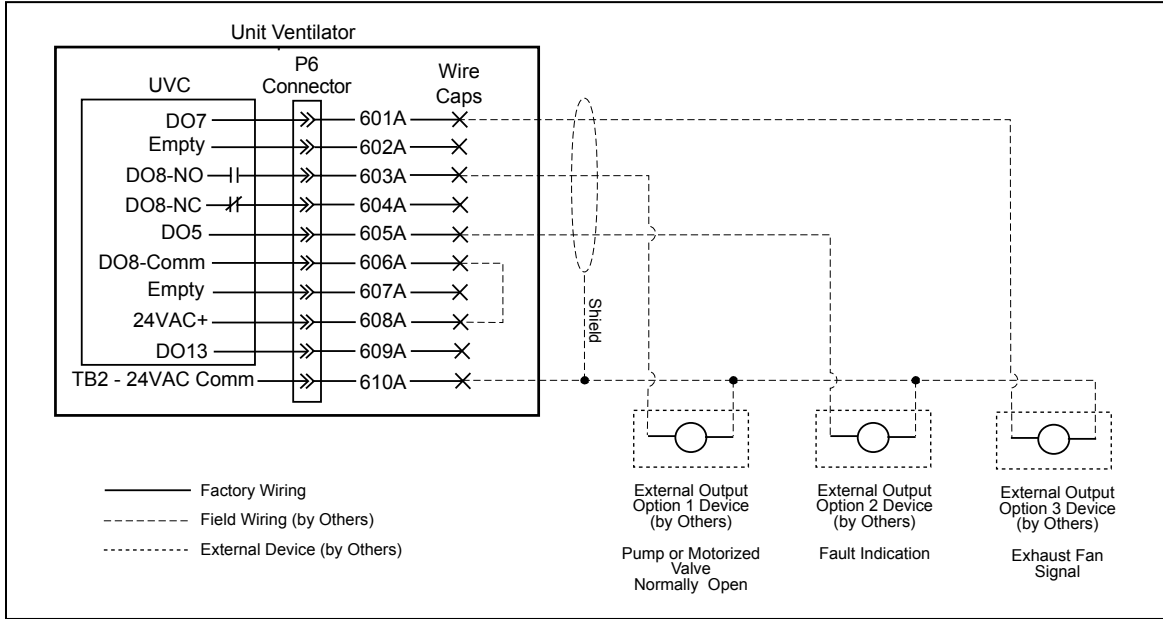


Figure 94: External Output Wiring - Multiple Units Shown

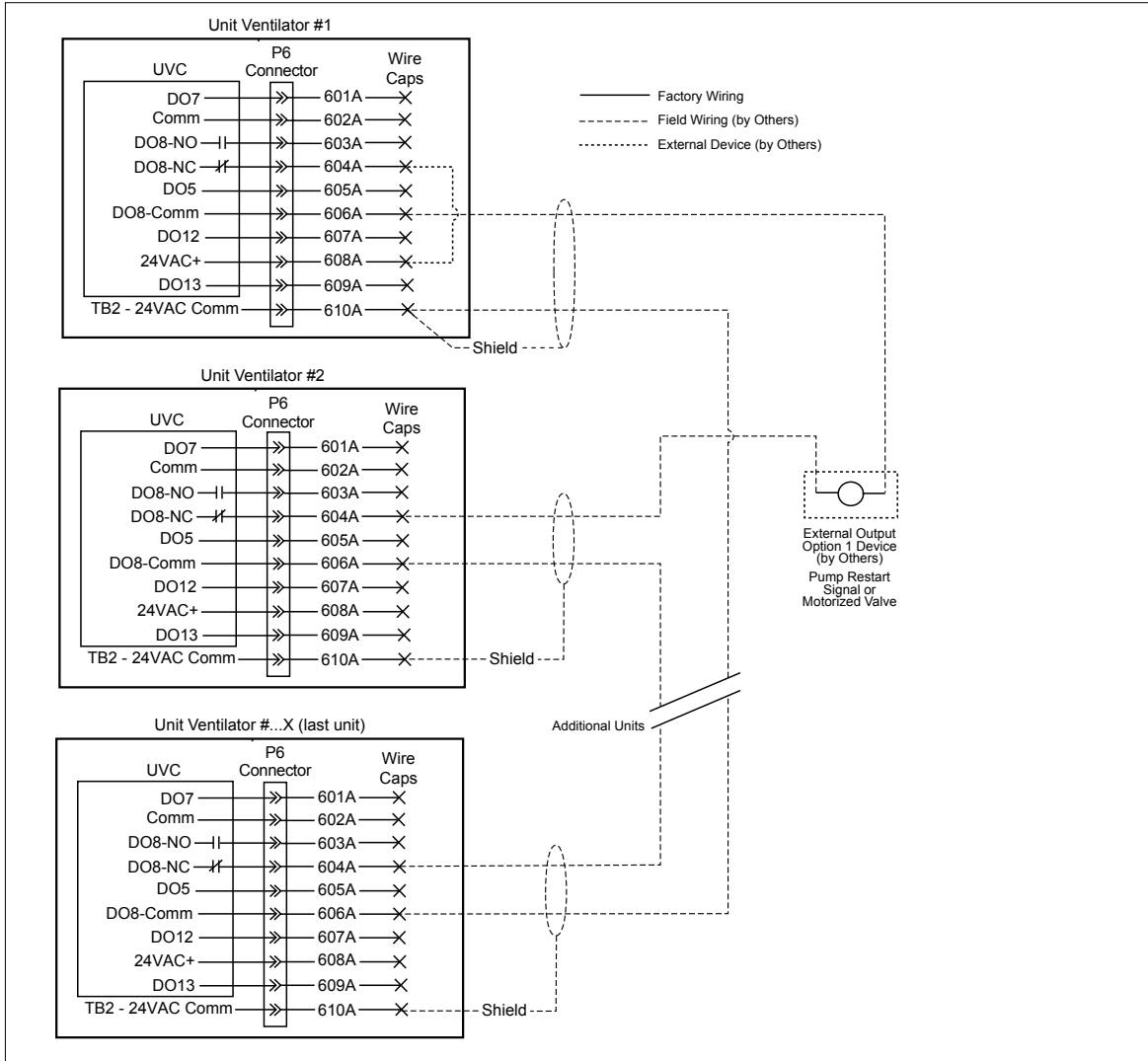
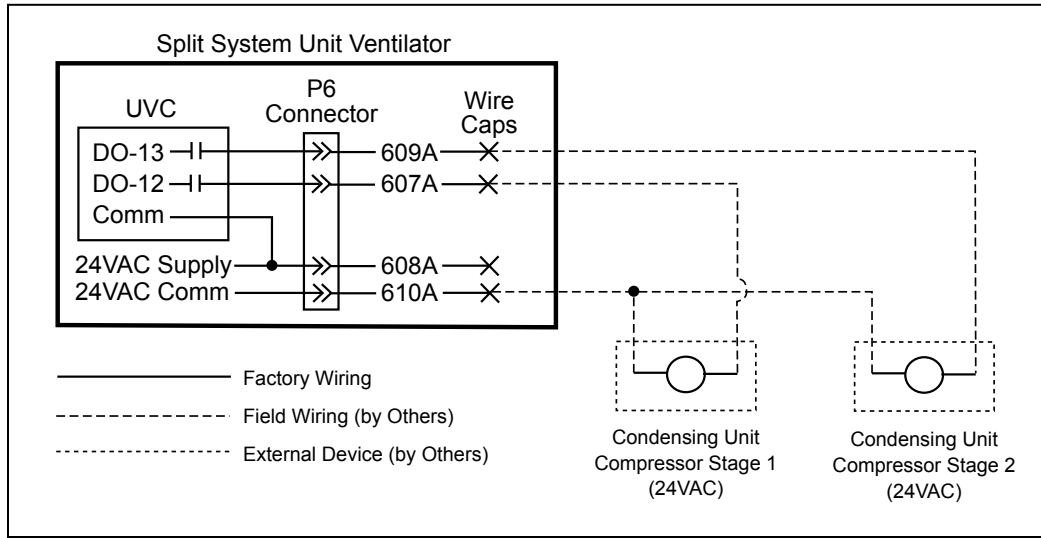
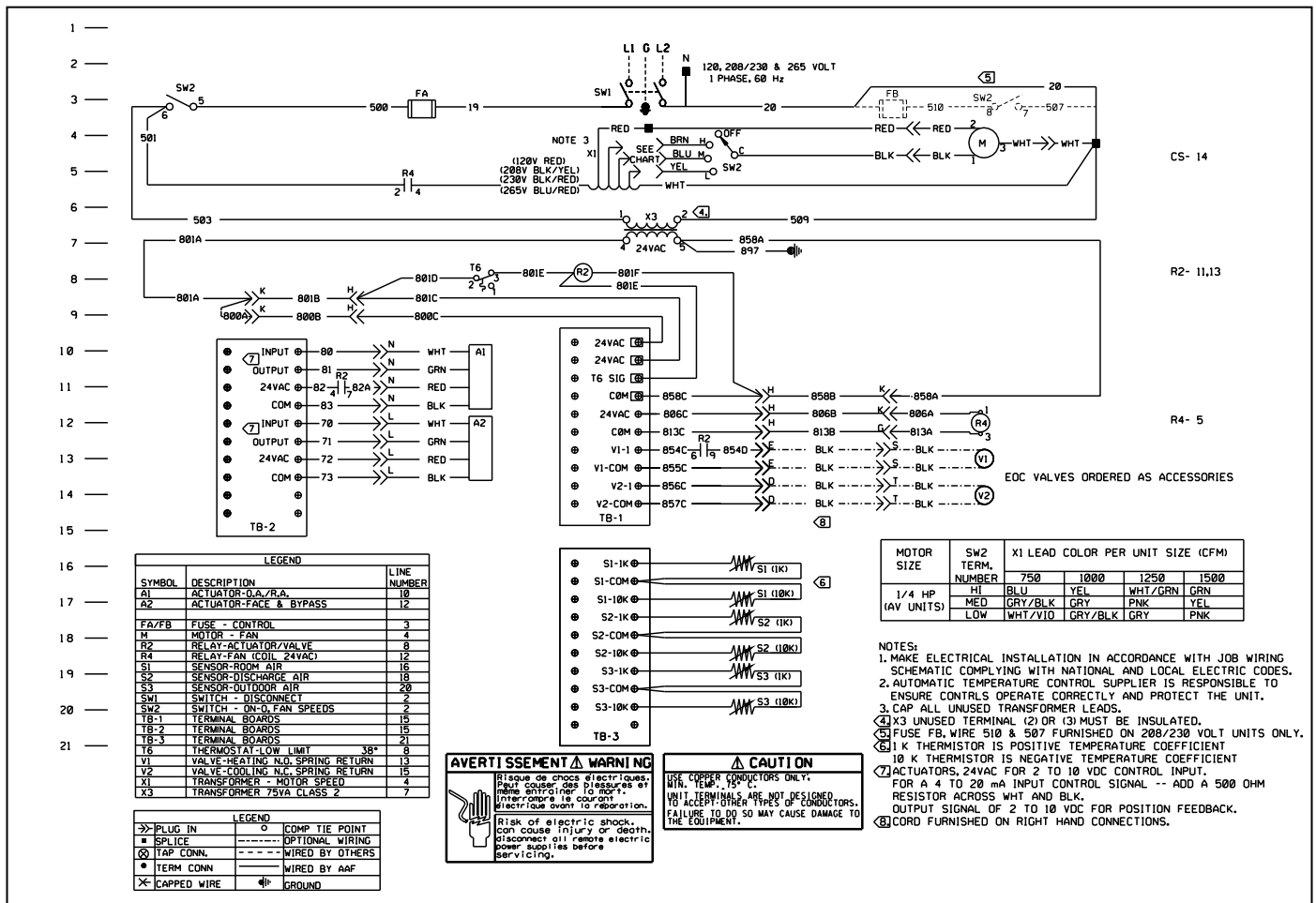


Figure 95: Split-System Condensing Unit Signal Wiring



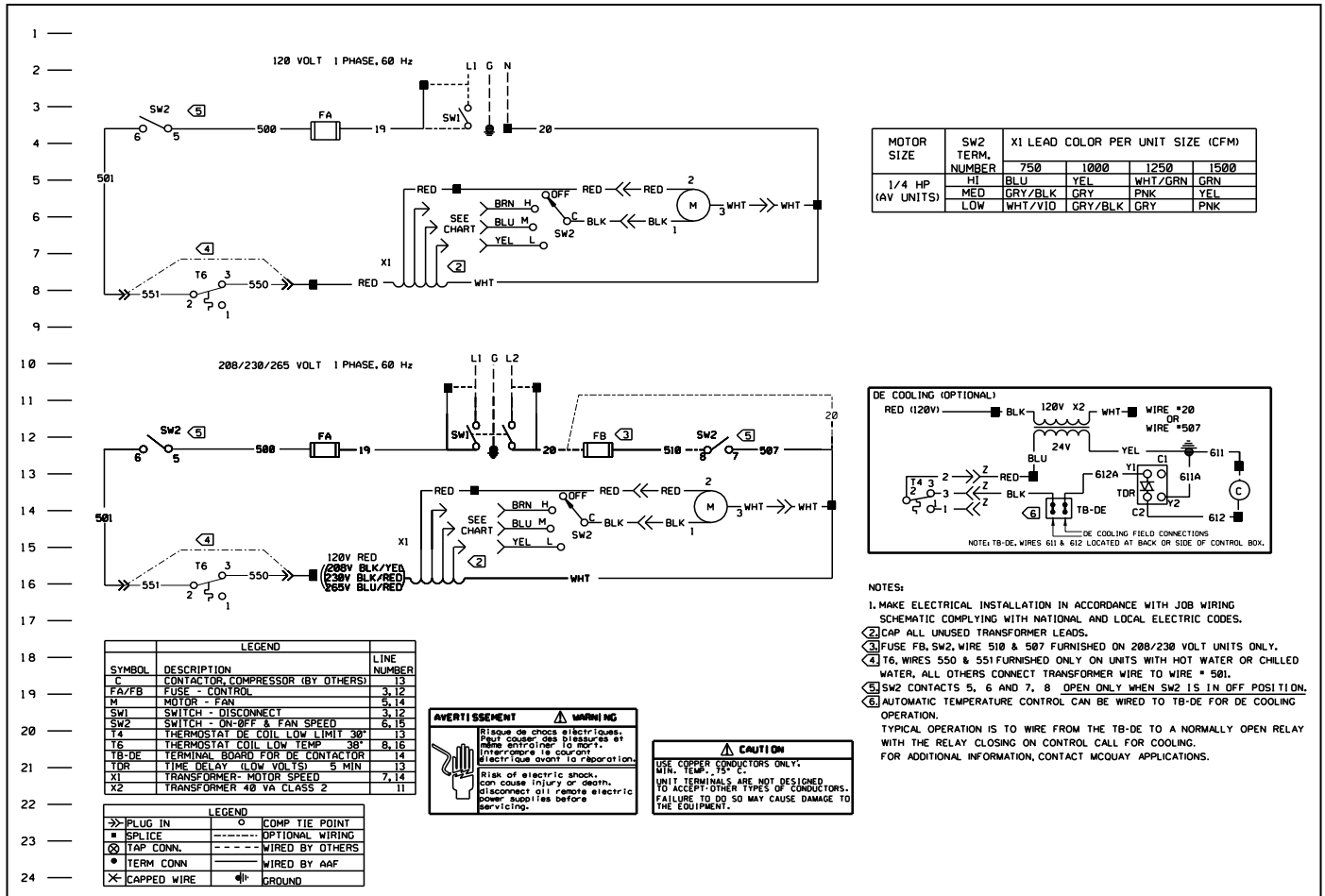
Typical Digital Ready Wiring Diagram – PSC Motor

Figure 96: AV Digital Ready, Face & Bypass, Hydronic



Typical Controls By Others Wiring Diagram – PSC Motor

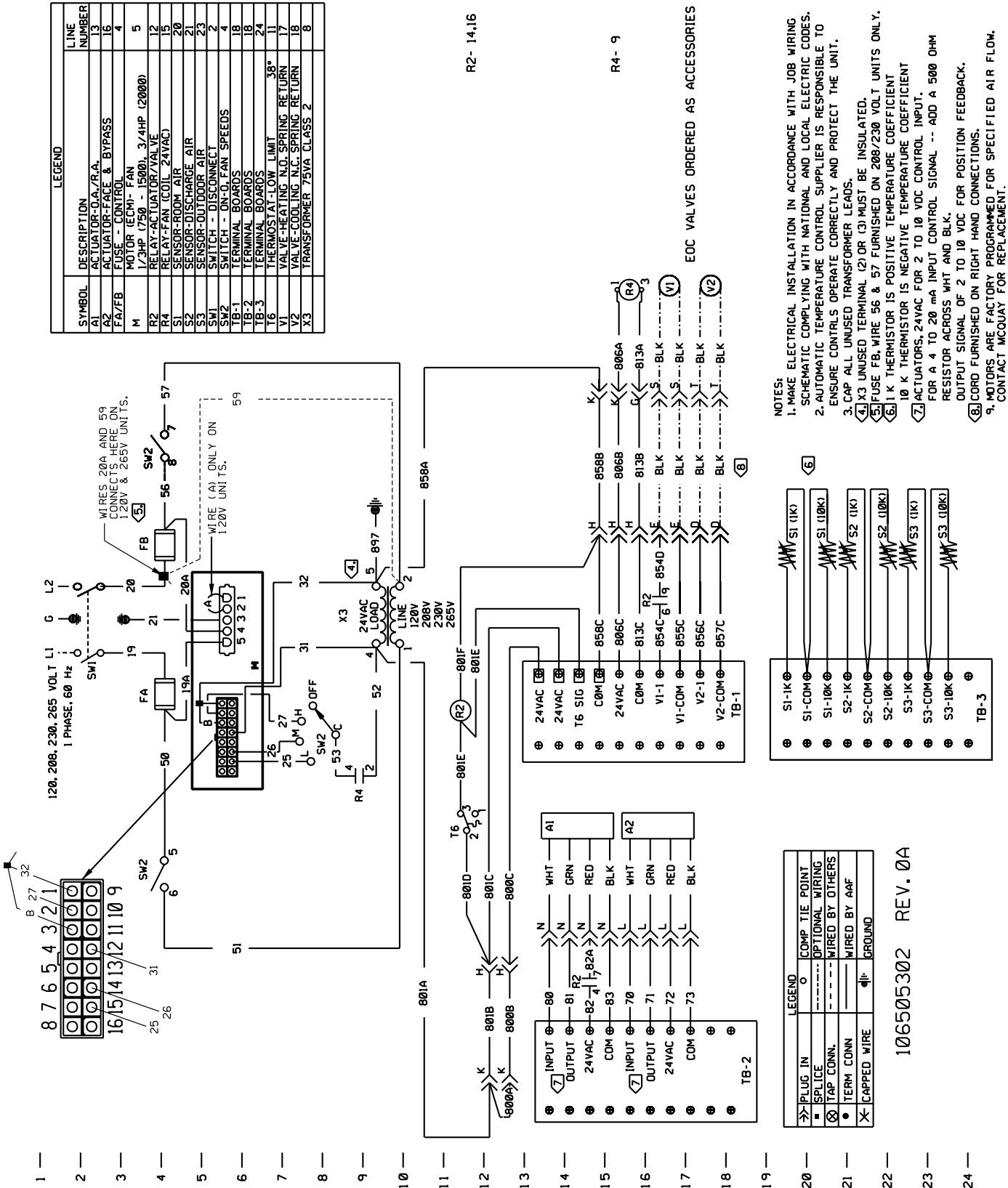
Figure 97: Typical Wiring Diagram for Units with Controls by Others



Typical Digital Ready Wiring Diagram – Units with 3-Speed EC Motor

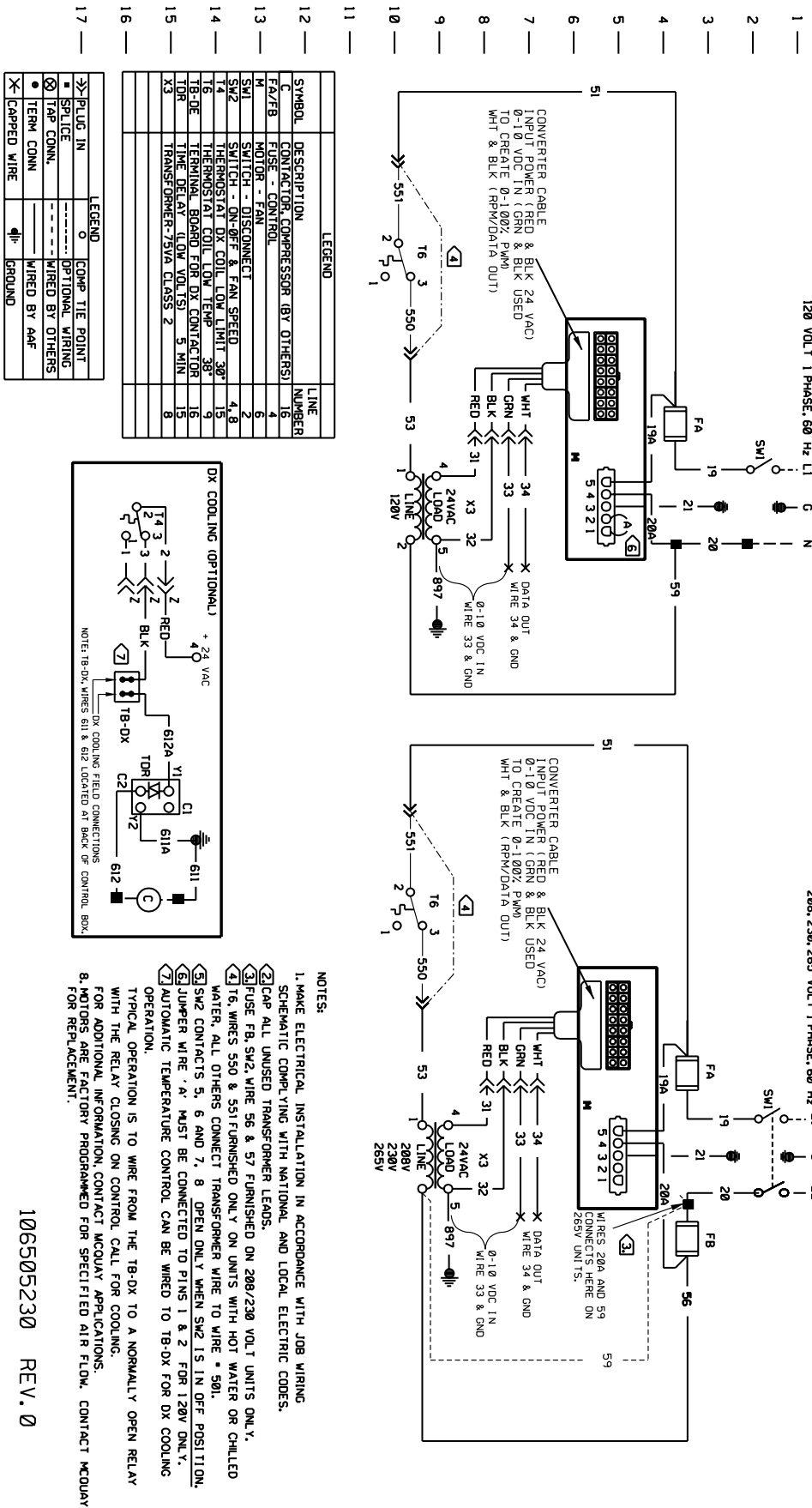
Figure 98: Typical Wiring Diagram 3-Speed ECM

LEGEND		LINE NUMBER
SYMBOL	DESCRIPTION	
A1	ACTUATOR-O.A./R.A.	13
A2	ACTUATOR-FACE & BYPASS	16
FA/FB	FUSE - CONTROL	4
M	MOTOR (ECM)- FAN	5
R2	RELAY-ACTUATOR/VALVE	12
R4	RELAY-FAN (COIL 24VAC)	20
S1	SENSOR-ROOM AIR	21
S2	SENSOR-DISCHARGE AIR	23
SW1	SENSOR-OUTDOOR AIR	2
SW2	SWITCH - DISCONNECT	4
TB-1	TERMINAL BOARDS	18
TB-2	TERMINAL BOARDS	24
T6	TERMINAL BOARDS	24
V1	THERMOSTAT-LOW LIMIT 38°	11
V2	VALVE-HEATING N.O. SPRING RETURN	17
V2	VALVE-COOLING N.C. SPRING RETURN	18
X3	TRANSFORMER 75VA CLASS 2	8



Typical Controls By Others Wiring Diagram – Units with EC Motor Variable Airflow

Figure 99: Typical Wiring Diagram for Units with EC Motor Variable Airflow



106505230 REV. 0

Control Modes and Functions

Daikin Applied unit ventilators equipped with MicroTech unit controllers can be programmed to operate in a variety of modes based on the current situation in the room and the status of the unit ventilator. Changes in mode can be triggered manually, via network signals, by sensor readings, or by date and time. External inputs and outputs can be used to change modes, communicate data to network controls or change the functional operation of the unit.

Occupancy Modes

MicroTech unit controllers can be set up to change modes based on room occupancy. Four different occupancy modes are provided, as described below.

Occupied Mode

This is the normal daytime operation mode. The controller maintains a room set point using the outside air capability and other functions.

Note: *For non-school applications, the unit can also be configured to cycle the fan in response to the room load. In this case, the fan would normally be in the Off Mode until heating or cooling is required. The outside air damper is always closed when the fan is off. When the fan starts, the outside air damper opens to the required position, usually minimum position.*

Unoccupied Mode

This is the night setback operating mode, in which the unit responds to a new room set point and cycles to maintain the condition. The fan comes on when heating or cooling is needed and runs until the load is satisfied. The outdoor air damper is closed during this mode. When a cooling load is satisfied by a refrigerant system, the compressor is de-energized and the unit ventilator indoor fan continues to run for a fixed period of time to remove coldness from the evaporator coil. This reduces the potential for low refrigerant temperatures to exist on the evaporator coil.

Stand By Mode

In this mode, the unit maintains the occupied mode set point temperature with the outdoor air damper closed. The fan runs continuously unless it is configured to cycle in response to the load.

Bypass Mode

This is a tenant override operating mode initiated by using the optional LUI or by depressing the Tenant Override Switch on the optional room sensor. The unit is placed back into Occupied Mode for a predetermined time (default 120 minutes). This time can be set in 1-minute increments from 1 minute to 240 minutes through the Unit Ventilator Service Tool or a network.

Economizer Modes

Economizer operation is facilitated by the outdoor air damper, which automatically adjusts the above-minimum outside air position to provide free cooling when the outdoor air temperature is appropriate. Three levels of economizer control are available:

Basic Economizer Operation: The MicroTech controller compares the inside and outside temperatures. If the temperature comparison is satisfactory, then free-air economizer operation is used to cool the space. Reheat units also come configured with an indoor humidity sensor.

Expanded Economizer Operation: In addition to comparing inside and outside temperatures, outdoor relative humidity is measured to calculate outside air enthalpy. If the enthalpy set point is not exceeded, and the temperature comparison is satisfactory, then free economizer operation is used to cool the space. This helps to minimize the entrance of humid outside air.

Leading-Edge Economizer Operation: The MicroTech controller compares both indoor and outdoor temperatures and indoor and outdoor relative humidities. Then it calculates both inside and outside air enthalpy to determine if free economizer operation can cool the space with non-humid outside air. This is a true enthalpy economizer—a first for unit ventilators.

Night Purge Mode

Under this mode, the unit is configured to purge the room space for one hour for various reasons (odor or fume removal, drying, etc.). During Night Purge the outside air damper is open full and the fan is run on high speed. No “normal” heating or cooling takes place (the emergency heat set point is maintained) and the exhaust fan, if the room is so equipped, is signaled to turn on.

Freeze Prevention Mode

This mode helps protect the unit ventilator from freezing air conditions. Control functions vary depending on the type of temperature control used by the unit, as follows:

Face and Bypass Control Units: Upon sensing a potential freezing air temperature condition leaving the heating coil, the unit will automatically protect itself by shutting the outside air damper and opening the EOC valve. The face and bypass damper is allowed to operate normally to control the space. The fan continues to run to remove the cold air. Once accomplished, the freezestat is reset, the outside air damper opens to the minimum position and the unit commences its normal mode of operation.

Valve Control Units: Upon sensing a potential freezing air temperature condition leaving the heating coil, the unit will automatically protect itself by shutting the outside air damper and opening the hot water valve to a minimum of 50% (more if required to heat the room). The fan speed will be staged down to low speed and then turned off. When the freeze stat is reset, the outside air damper opens to the minimum position and the fan runs at low speed for a minimum of 10 minutes. It then will stage up if needed to satisfy the room set point. This reduces the potential to overheat a room recovering from a potential freeze condition.

Note: *Valve selection and coil sizing is critical for proper operation. Face and bypass control is recommended for proper humidity and freeze protection.*

Emergency Heat Mode

If the unit is left in a mode that does not normally allow heating (such as Off, Fan Only, Cool, or Night Purge) and the room temperature falls below 55°F, the unit will heat the space to above 55°F and then return to the previously set mode of operation. This mode of operation can be field configured and/or be disabled.

External Input Functions

The unit ventilator controller is provided with four (4) binary inputs that allow a single set of dry contacts to be used as a signal to it, and two (2) binary inputs that allow a 24VAC signal. Input signal choices are described below. Multiple units can be connected to a single set of dry contacts.

Note: *Not all of the functions listed can be used at the same time. The unit ventilator controller is provided with configuration parameters that can be adjusted to select which function will be used for these inputs where multiple functions are indicated below. For wiring examples see installation manual.*

Unoccupied Input Signal

This input signals the unit ventilator controller to go into unoccupied or occupied mode. When the contacts close, the unit ventilator controller goes into unoccupied mode; when the contacts open, it goes into occupied mode. Additional variables can affect occupancy mode and override this binary input. See "Occupancy Modes" on page 79.

Dewpoint/Humidity Input Signal (Optional)

This input signals the unit ventilator controller to go into active dehumidification mode. When the contacts close (high humidity) the controller will go into active dehumidification; when the contacts open (low humidity) it will stop active dehumidification.

Remote Shutdown Input Signal

This input signals the unit ventilator controller to go into shutdown mode. When the contacts close, the controller goes into shutdown mode; when the contacts open, it returns to normal operation.

Ventilation Lockout Input Signal

This input signals the unit ventilator controller to close the outdoor air damper. When the contacts close (ventilation lockout signal) the controller closes the outdoor damper; when the contacts open, it returns to normal outdoor damper operation.

Exhaust Interlock Input Signal

This input signals the unit ventilator controller that an exhaust fan within the space has been energized. The controller then repositions the outdoor air damper to a user-adjustable minimum position. When the contacts close (exhaust fan on signal) the controller uses the value defined by the Exhaust Interlock OA Damper Min Position Setpoint as the new minimum outdoor air damper position regardless of the indoor air fan speed. When the contacts open, it returns to normal outdoor damper operation.

External Output Functions

The unit ventilator controller is provided with three (3) binary outputs to perform the functions described below. These are relay type outputs that supply 24VAC.

Note: *Not all of the functions listed can be used at the same time. The unit ventilator controller is provided with configuration parameters that can be adjusted to select which function will be used for these outputs when multiple functions are indicated below. For wiring examples, see installation manual.*

Fault Signal

This relay output provides one set of NO (reversible through keypad/software) 24VAC contacts that can be used to signal a fault condition. When a fault exists, the unit ventilator controller energizes this relay output. When the fault or faults are cleared, it de-energizes this relay output.

Exhaust Fan On/Off Signal

This relay output provides one set of NO (reversible through keypad/software) 24VAC contacts that can be used to signal the operation of an exhaust fan. When the outdoor air damper opens more than the Energize Exhaust Fan OA Damper Setpoint, the relay output will signal the exhaust fan on (contacts closed). When the outdoor damper closes below this setpoint, the relay output will signal the exhaust fan off (contacts open).

Auxiliary Heat Signal

This relay output provides one set of Normally Open (NO) (reversible through keypad/software) 24VAC contacts that can be used to operate an auxiliary heat device. The unit ventilator controller by default is configured to operate a NO auxiliary heat device (de-energize when heat is required) such as a wet heat valve actuator with a spring setup to open upon power failure. However, the Auxiliary Heat Configuration variable can be used to set the controller to use an NC auxiliary heat device (energize when heat is required) such as electric heat.

Advanced Control Options

MicroTech controls make possible a number of advanced control options that can quickly pay for themselves in saved energy costs and more comfortable classrooms, as described below.

Part Load Variable Air Control

Part Load Variable Air control can be used in conjunction with face and bypass damper temperature control to automatically adjust the unit ventilator fan speed based upon the room load and the room-temperature PI control loop. This MicroTech control option provides higher latent cooling capabilities and quieter operation during non-peak load periods by basing indoor fan speed upon room load.

During low-load or normal operation (about 60% of the time) the fan will operate on low speed. When the load increases to an intermediate demand, the fan will automatically shift to the medium-speed setting. Under near-design or design-load conditions, the fan will operate on high speed. A built-in, 10-minute delay helps minimize awareness of fan speed changes. Low-speed fan operation under normal operating conditions, in conjunction with our GentleFlo fan technology contributes to a very quiet classroom environment.

Demand-Controlled Ventilation (Optional)

Daikin unit ventilators can be equipped to use input from a CO₂ controller to ventilate the space based on actual occupancy instead of a fixed design occupancy. This Demand Controlled Ventilation (DCV) system monitors the amount of CO₂ produced by students and teachers so that enough fresh outdoor air is introduced to maintain good air quality. The system is designed to achieve a target ventilation rate (e.g., 15 cfm/person) based on actual occupancy.

By using DCV to monitor the actual occupancy pattern in a room, the system can allow code-specific levels of outdoor air to be delivered when needed. Unnecessary over-ventilation is avoided during periods of low or intermittent occupancy.

With DCV you can be confident that your school is meeting ventilation standards for Indoor Air Quality and that your students are receiving adequate air to be attentive to instruction. At the same time, you are saving money in early morning hours, in between classes, or after hours when classrooms are heated and cooled but not always fully occupied.

As Simple as a Thermostat

Demand Controlled Ventilation is easy to apply. When DCV is ordered, a CO₂ sensor is mounted on the unit and configured for operation. The system does the rest. If desired, the ventilation control setpoint can be adjusted through the MicroTech Controller.

Acceptance By Codes And Standards

ASHRAE Standard 62-2004 Ventilation for Indoor Air Quality recognizes CO₂ based DCV as a means of controlling ventilation based on occupancy. The ASHRAE standard has been referenced or adopted by most regional and local building codes. This standard references ventilation on a per-person basis.

Using CO₂ control will sometimes lower the absolute amount of outside air delivered into a room but will maintain the per-person rate. For example, if a classroom is designed for 30 students, the ventilation rate is 450 cfm (30 students x 15 cfm/student). However, when there are only ten students in the classroom, the CO₂ control will adjust ventilation to 150 cfm (10 students x 15 cfm/student). A minimum base ventilation rate (typically 20% of design levels) is provided when in the occupied mode. This provides outdoor air to offset any interior source contamination while allowing for proper space pressurization.

Active Dehumidification Control (Reheat)

In high-humidity applications where valve-controlled, reheat units are used, the Active Dehumidification Control (ADC) sequence should be considered. During excessive humidity conditions, a humidity sensor directs the unit to continue cooling past the room setpoint to remove excess moisture. Hydronic heat or electric heat is then used to reheat the discharge air to maintain acceptable room temperatures.

MicroTech controls minimize the amount of reheat needed to maintain relative humidity below a preset limit. Reheat is used only when required and in the most energy-efficient manner possible.

Active Dehumidification comes standard on units equipped with MicroTech controls, a reheat configuration and valve-control temperature modulation. The MicroTech ADC humidity sensor is unit-mounted. It issues a signal proportional to the classroom's humidity level (unlike humidistats which issue an open-close signal). This enables a control sequence that manages both the temperature and the relative humidity.

When the relative humidity exceeds a preset value, the modulating chilled-water valve opens fully to dehumidify the mixture of outdoor and return air entering the cooling coil. The reheat modulating water valve then opens, or electric heat is engaged, to reheat the air leaving the cooling coil, as required to maintain the classroom setpoint.

Active dehumidification starts when the indoor relative humidity exceeds the preset relative humidity upper setpoint and continues until the room humidity falls 5% below

the endpoint. During active dehumidification, economizer operation is disabled (and the outdoor air damper is reset to its minimum position) unless the outdoor air temperature is below 55°F. It is maintained until dehumidification is completed. When the indoor humidity level is satisfied, the MicroTech controller reverts to its normal sequences to satisfy the classroom temperature setpoint.

Passive Dehumidification Control

On units with face and bypass damper control, a chilled-water coil and MicroTech part-load variable air control, passive dehumidification can be used under high humidity conditions to keep classrooms comfortable. A unit-mounted humidity sensor and a low fan speed are utilized to improve latent cooling by keeping the air in closer contact with the cold coil for passive dehumidification.

This only occurs in the unoccupied mode as the unit operates to satisfy the humidity set point with the outside damper closed. The face and bypass damper is placed in a minimum face position to promote high latent cooling. The unit fan continues to operate on low speed until the load is satisfied. This is very helpful in high humidity areas where high night time humidity can be absorbed in the building during off hours.

DX Split System Control

On unit ventilators equipped with direct-expansion (DX) coils, the unit ventilator controller is configured to operate the compressor as secondary (mechanical) cooling when economizer cooling is available, and as primary cooling when economizer cooling is not available. Additional DX control features include:

Compressor Cooling Lockout: The unit ventilator controller is configured to lock out compressor cooling when the outdoor air temperature falls below the compressor cooling lock out setpoint. Below this temperature setpoint only economizer cooling will be available.

Minimum On And Off Time: The unit ventilator controller is provided with minimum-on and minimum-off timers to prevent adverse compressor cycling (3-minutes default).

Compressor Start Delay Variable: This variable is intended to be adjusted as part of the start-up procedure for each unit. It is used to prevent multiple unit compressors from starting at the same time after a power failure or after an unoccupied-to-occupied changeover. Each unit should be configured at start-up with a slightly different (random) delay, or groups of units should be provided with different delays.

System Components

The main components of the MicroTech system are:

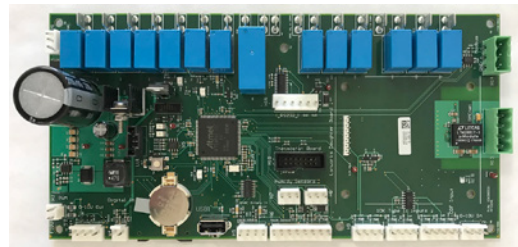
- A Unit Ventilator Controller (UVC) with on-board BACnet MS/TP communication
- The Optional Local User Interface (LUI)
- Optional LON plug-in network communication module

In addition, unit ventilators equipped with MicroTech controllers feature factory-mounted sensors and actuators for system control and feedback.

Unit Ventilator Controller

The MicroTech UVC is a DDC, microprocessor-based controller designed to provide sophisticated comfort control of an economizer-equipped Daikin unit ventilator. In addition to normal operating control, it provides alarm monitoring and alarm-specific component shutdown if critical system conditions occur. Each UVC is factory wired, factory programmed and factory run-tested for the specific unit ventilator model and configuration ordered by the customer.

Figure 100: MicroTech Control Board



Local User Interface (Optional)

An optional LUI touch pad with digital LED display is located in the right hand compartment below the top right access door. The LUI features a 4 x 20 OLED digital display, 6 keys, and 2 individual LED indicators. In addition to the operating mode states and fan functions, the touch pad will digitally display:

- The room set point temperature.
- The current room temperature.
- Any fault code for quick diagnostics at the unit.

Figure 101: User Interface Touch Pad



The User Interface has individual touch-sensitive printed circuit board mounted buttons, and comes with a built-in menu structure (Hidden Key and Password Protected) to change many of the common operating variables.

Four Operating Mode States

Four different user operating mode states can be chosen on the LUI:

Heat: Heating and economizer operation only.

Cool: Cooling and economizer operation only.

Fan Only: Fan only operation.

Auto: The unit automatically switches between heating, cooling and economizer operation to satisfy the room load conditions. The current unit state is also displayed.

Four Fan States

Four fan states are provided on all units: high, medium low and Auto speed modulation. The Auto speed function (part load, variable air) varies the fan speed automatically to meet the room load whether the unit is in heating, cooling or economizer mode.

All this is accomplished with a standard, single-speed NEMA frame motor. A built-in 10-minute delay helps minimize awareness of speed changes. During low-load or normal operation (about 60% of the time) the fan will operate at low speed. The low speed operation, along with GentleFlo fan technology, contributes to a very quiet classroom environment.

When the load increases to an intermediate demand, the fan automatically shifts to the medium speed setting. At near-design or design-load conditions the fan will operate on high speed.

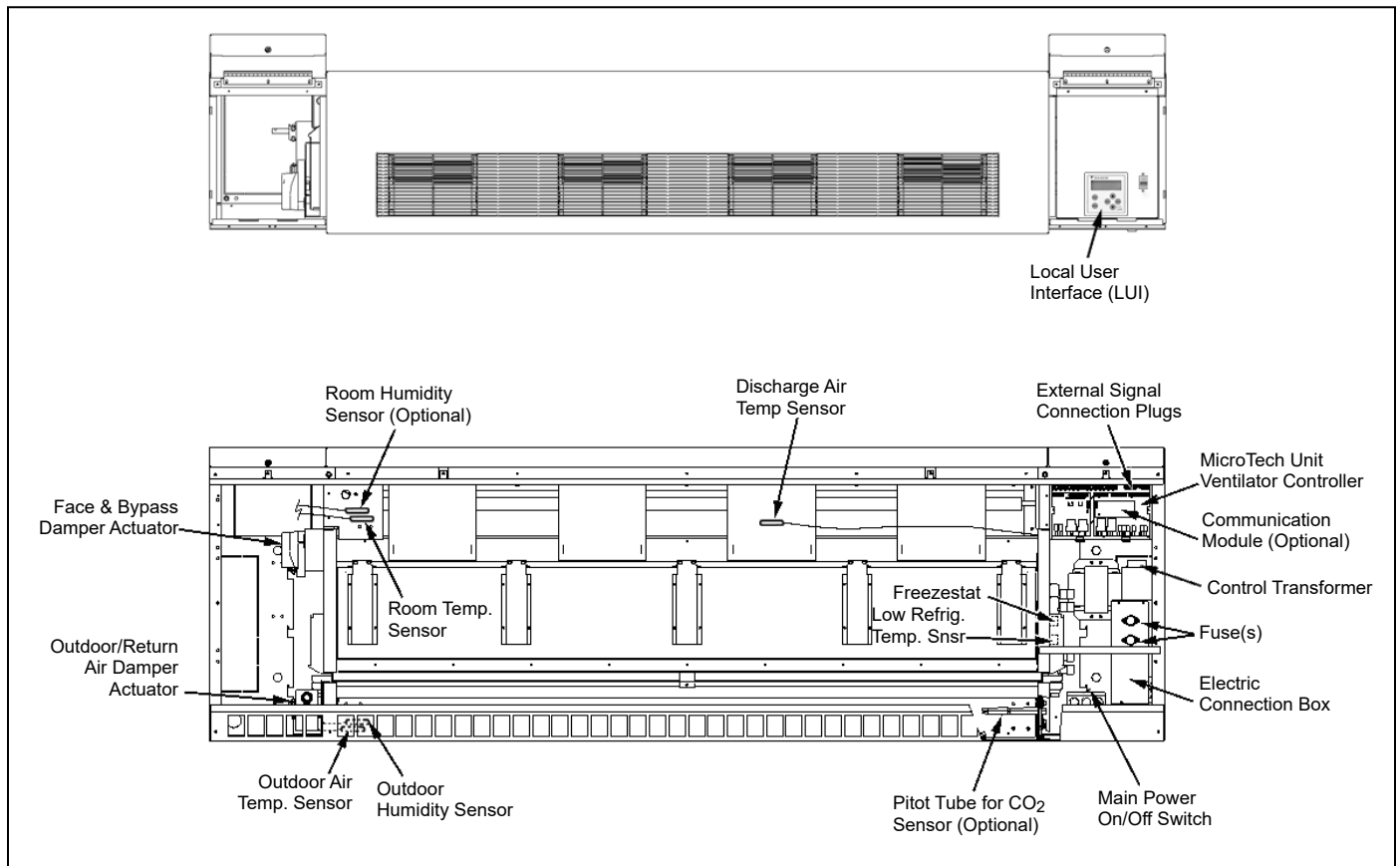
With four fan states and GentleFlo fan technology, there is no need to oversize units or worry about uncomfortable conditions.

Table 62: Ranges For 3 Speed Adjustable ECM Fan

Fan Speed	Operating Range
PWM low fixed-speed	50% - 80%
PWM medium fixed-speed	70% - 90%
PWM high fixed-speed	80% - 100%

Note: Low speed ≤ medium speed ≤ high speed.

Figure 102: MicroTech Sensor and Component Locations



Communication Types

On-board BACnet communication or the optional LONWORKS communication module provide control and monitoring information to your building automation system without the need for costly gateways. Information on BACnet and the optional LONTALK communication module are described below.

MicroTech® Controller with on-board BACnet MS/TP

The MicroTech controller allows the UVC to inter-operate with systems that use the BACnet (MS/TP) protocol with a conformance level of 3. It meets the requirements of the ANSI/ASHRAE 135-2008 standard for BACnet systems.

LONWORKS SCC Communication Module

This module supports the LONWORKS SCC (Space Comfort Communication) profile number 8500-10. Unit controllers are LONMARK certified with this optional LONWORKS communication module.

Room Temperature Sensors used with MicroTech Unit Controls

Digitally Adjustable Display Sensor – 910247458

The display sensor is used in conjunction with MicroTech equipped units. This digitally adjustable sensor displays room temperature, fan speed (AUTO/HIGH/MEDIUM/LOW), system mode (HEAT/COOL/AUTO/OFF), ALARM, override and occupancy.

Digitally Adjustable Display Sensor – 910247448

The display sensor is used in conjunction with MicroTech equipped units. The sensor has a digital display for temperature, occupancy, alarm, setpoint and status indication. Controls include four buttons for setpoint, occupied/unoccupied request, and override reset.





Basic Room Sensor With Cool to Warm – 910247453

The basic room sensor with adjustment (cool to warm) is used in conjunction with MicroTech equipped units. The sensor has an output for temperature, and LED status indication and includes an override reset button.

Basic Room Sensor – 910247450

The basic room sensor is used in conjunction with MicroTech equipped units. The sensor has an output for temperature, and LED status indication and includes an override reset button.

Table 63: Room Temperature Sensors for BAS Operation

Room Temperature Sensors used with Unit Ventilator – Building Automated System (BAS) Operation		Digitally Adjustable Display Sensor	Digitally Adjustable Display Sensor	Basic Room Sensor With Cool to Warm Adjust	Basic Room Sensor
					
		Part No. 910247458	Part No. 910247448	Part No. 910247453	Part No. 910247450
Feature					
Setpoint Adjustment		Digitally Adjustable	Digitally Adjustable	Cool to Warm	None
Display	Room Temperature & Setpoint	●	●		
Operating Modes	System	Heat-Cool-Auto-Off-			
	Fan	Auto-High-Medium-Low			
	Occupancy	LCD Display of Occupied-Unoccupied Icon	LCD Display of Occupied-Unoccupied Icon		
Annunciation	Status LED	LCD Display of Unit Status	LCD Display of Unit Status	●	●
	LCD Alarm Display	●	●		
Reset	Alarm	●	●	●	●
	Setback Override	●	●	●	●

CO₂ Sensor for Demand Controlled Ventilation

On units equipped for Demand Controlled Ventilation (DCV) the UVC is configured to use a 0-2000 PPM, 0-10 VDC, single beam absorption infrared gas sensor. CO₂ sensors are available as unit mounted only. An air collection probe (pitot tube and filter) is installed in the return air of the unit (Figure 103).

Figure 103: CO₂ Sensor For Demand Control Ventilation



Actuators

Face & Bypass Damper Actuator

On units equipped with face & bypass damper control, the UVC is configured to operate a proportional, direct-coupled, face & bypass damper actuator. To increase accuracy, the controller has an overdrive feature for the 0% and 100% positions and a periodic (12-hour) auto-zero PI control loop for each modulating actuator.

Figure 104: Face & Bypass Actuator



Outdoor Air/Return Air Damper (OAD) Actuator

The UVC is configured to operate a proportional, direct-coupled actuator for the outdoor air damper. This actuator provides spring-return operation upon loss of power for positive close-off of the outdoor air damper. To increase actuator positioning accuracy, the UVC is provided with an overdrive feature for the 0% and 100% positions and a periodic (12-hour) auto-zero PI control loop for each modulating actuator.

Figure 105: Outdoor Air Damper Actuator



2-Position End-of-Cycle Valve Actuators (Optional)

On units equipped with 2-way or 3-way, end-of-cycle (EOC) valves, the UVC is configured to operate 2-position End-Of-Cycle (EOC) valve actuators (Figure 106). Spring return actuators are used for all End of Cycle (EOC) valves. All wet heat and heat/cool EOC valves are normally open, and all cooling EOC valves are normally closed.

Figure 106: End of Cycle Valve Actuator



Modulating Valve Actuators (Optional)

On units equipped with modulating valves, the UVC is configured to operate proportional actuators for modulating 2-way and 3-way valves (Figure 107).

Figure 107: Modulating Valve Actuators



Spring return actuators are used for all modulating valves. All wet heat and heat/ cool valves are normally open, all cooling valves are normally closed.

To determine modulating valve position the UVC uses a separate factory preset, configurable setting for each actuator's stroke time. For accuracy of actuator positioning, the UVC is provided with an overdrive feature for the 0% and 100% positions and a periodic (12-hour) auto-zero PI control loop for each modulating actuator.

A Wide Variety of Input, Output & Alarm Data Points Available

A wide variety of data is available from Daikin Applied unit ventilators when equipped with MicroTech unit controllers in a network situation. They provide a clear picture of just what's happening in each classroom and notify your building automation system of alarm conditions regardless of the protocol you select. [Table 64](#) below shows a list of inputs, outputs and alarm functions available.

Table 64: Network Operation -Typical Data Points¹

Read/Write Attributes	Read Only Attributes	Read/Write Setpoint Attributes	Typical Alarms
<ul style="list-style-type: none"> Application Mode Compressor Enable Emergency Override Energy Hold Off Heat/Cool Mode Occupancy Override Outdoor Air Humidity Outdoor Air Temperature Reset Alarm Reset Filter Alarm Source (Water In) Temperature Space CO₂ Space Humidity Space Temperature Economizer Enable Heating Setpoint Shift Cooling Setpoint Shift 	<ul style="list-style-type: none"> Binary Input Status Binary Output Status UV Software Application Version Compressor Run Time Chiller Water Valve Position Discharge Air Temperature Discharge Air Temperature Setpoint Effective Setpoint Fan Speed F & BP Damper Position Outdoor Air Damper Position Space Fan Runtime Unit Ventilator Controller State Water-Out Temperature WH or CW/HW Valve Position OA Minimum Position 	<ul style="list-style-type: none"> Econ. IA/OA Enthalpy Differential Setpoint Econ. IA/OA Temp. Differential. Setpoint Econ. Outdoor Air Enthalpy Setpoint OAD Min. Position Low-Speed Setpoint OAD Min. Position Med.-Speed Setpoint Occupied Cooling Setpoint Occupied Heating Setpoint Space CO₂ Setpoint Space Humidity Setpoint Standby Cooling Setpoint Unoccupied Cooling Setpoint Unoccupied Heating Setpoint 	<ul style="list-style-type: none"> Indoor Air Temperature Sensor Failure DX Pressure Fault Indoor Air Coil DX Temperature Sensor Failure Outdoor Air Temperature Sensor Failure Discharge Air Temperature Sensor Failure Outdoor Air Coil DX Temperature Sensor Failure (or) Water Coil DX Temperature Sensor Failure Water-Out Temperature Sensor Failure (or) Water-In Temperature Sensor Failure Space Humidity Sensor Failure Outdoor Humidity Sensor Failure Space CO₂ Sensor Failure Source Temperature (Water-In) Inadequate Indication Change Filter Indication

¹ Not all data points or alarms listed will be available in all unit ventilator configurations. Humidity and CO₂ points require the use of optional sensors.

ServiceTools™

ServiceTools for MicroTech Unit Ventilators is software for operation on a personal computer. This software provides representation of the sequence of operation and enables the service technician to:

- Monitor equipment operation
- Configure network communications
- Diagnose unit operating problems
- Download application code and configure the unit

This software is a purchased tool for service technicians and will run on PCs with Microsoft Windows, Windows 7 and newer operating systems.

This tool provides more capabilities than the unit's user interface touch pad and is highly recommended for startup and servicing. (It may be required for startup and/or servicing, depending upon unit integration and other requirements.) It does not replace BAS functions, such as system wide scheduling or sequencing, and it cannot serve as a Work Station Monitoring package. ServiceTools interfaces with the MicroTech controller using serial communications through a USB type A connector.

Setpoints and Configuration Parameters

The UVC can save a snapshot of all setpoints and configuration parameters in the controller. Those configurations and setpoints can be saved onto a SD flash memory card, ensuring the controller can be reverted to those settings at a later date. Additionally, the settings saved to a SD can be taken to another UVC and loaded into it. Certain parameters, such as BACnet addressing and location, can be optionally restored to prevent duplication.

Data Trending

Data can be written to an optional SD card inserted into the control unit. The parameters that can be trended through MicroTech can be found in OM 732. Six options for trending frequency are available:

- None
- 10 Minutes
- Occupancy Change
- Hourly
- 1 Minute
- Daily

A separate trend file will be created of each day. If a "Daily" trend is selected, the trend file will contain a header and 1 line of data. If an "Hourly" trend is selected, the trend file will contain a header and 24 lines of data. The last 3 alarms in the Alarm History are always recorded.

Why Classrooms Overheat

Overheated classrooms occur every day in schools in every area of the country. The most serious result is their detrimental effect on students' ability to concentrate and learn. Research has determined that the ability to learn and retain knowledge decreases rapidly as the temperature exceeds recommendations. Overheated rooms also represent wasted fuel, resulting in excessive operating costs. Correcting an overheating problem in an existing building is very difficult and expensive. It calls for redesign and alteration of the heating and ventilating system, necessitating considerable renovation. This potential problem should be recognized, understood and planned for when heating and ventilating systems are designed for new and existing buildings.

Schools Have Special Needs

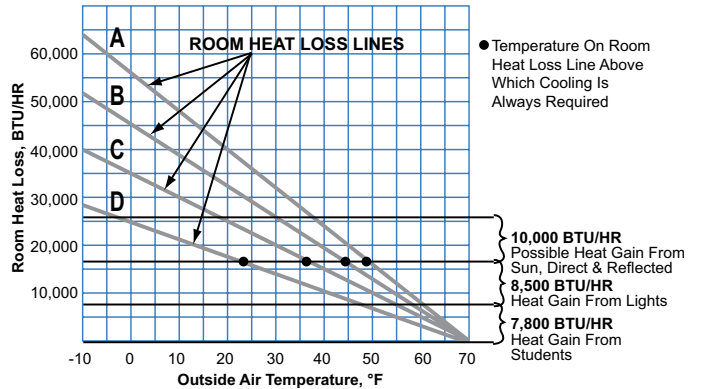
Schools have unique heating and ventilating needs, in large part because of their variable occupancy and usage patterns. Fewer cubic feet of space is provided per student in a school building than in any other type of commercial or public building. School classrooms are typically occupied only six hours a day, five days a week, for only three-fourths of the year, with time out for vacations. All in all, this represents approximately 15% of the hours in a year that a classroom is occupied.

To understand the overheating problem in schools, one must first realize that the excess heat comes from what is commonly termed "uncontrolled heat sources." To gain some perspective on how this affects heating and cooling decisions, let's take a look at a typical classroom in the northern section of the midwestern United States.

Suppose we have a classroom that is 24 by 38 feet with 10-foot ceilings and 100 square feet of window area along the outside wall. At an outside temperature of 0°F and a desired room temperature of 72°F, let's assume the normal amount of heat loss from the room to the outside is 55,000 BTUs per hour.

As the outside temperature changes, so does the amount of heat that the room loses. This is represented in Figure 108 by Room Heat Loss Line A, which ranges from 55,000 BTUs per hour at 0°F outside air temperature to zero BTUs at 70°F. Obviously, if the heating system were the only source of heat in the classroom, the solution would be simple: The room thermostat would cause the heating system to supply exactly the amount of heat required to maintain the room at the thermostat temperature setting. In reality, the introduction of excess heat from a variety of uncontrolled sources makes the challenge considerably more complex.

Figure 108: Heat Gain Vs. Heat Loss In Occupied Classrooms



As Figure 108 illustrates, even in very cold weather an occupied classroom is more likely to require cooling than heating.

Heat From Students

Body heat generated by students in a classroom is one of the three primary sources of uncontrolled heat. In a typical classroom of 30 students, the amount of heat given off at all times will vary according to factors such as age, activity, gender, etc. A conservative estimate is 260 BTUs per hour per pupil. Multiply this by 30 and you get a total of 7,800 BTUs per hour added to the room by the students alone. This excess heat is noted in Figure 108 as "Heat Gain from Students."

Heat Gain From Lights

Heat emitted by the lighting system constitutes a second uncontrolled heat source. Artificial lighting is needed in most classrooms even during daylight hours to prevent unbalanced lighting and eye strain. A typical classroom requires approximately 2,500 watts of supplemental lighting to provide properly balanced lighting. Fluorescent lights add heat to the room at the rate of 3.4 BTU per watt per hour, or a total of 8,500 BTU per hour. This extra heat is represented in Figure 108 as "Heat Gain from Lights."

Add the heat gain from lighting to the 7,800 BTUs introduced by student body heat and we now have an extra 16,300 BTU/hr being introduced into the classroom by uncontrolled sources. This heat gain remains constant regardless of the outdoor air temperature.

Solar Heat Gain

The sun is a third uncontrolled source of heat. And, because it is neither positive nor constant, calculating its contribution to the overall heat gain is difficult. Solar heat gain can be the worst offender of the three in classrooms with large windows. Indirect or reflected solar radiation is substantial even on cloudy days, even in rooms with north exposure, as a result of what is termed "skyshine."

To get an idea of the potential effect of the sun, let's assume that the solar heat gain in our hypothetical classroom will peak at 240 BTU/hr per square foot of glass area. If we then assume a glass area of 100 square feet and at least 100 BTU/hr per square foot of glass for solar heat gain, we can calculate a very conservative estimate of 10,000 BTU/hr heat gain through windows. If we add this to the heat from the lights and body heat, total heat gain adds up to 26,300 BTU/hr from sources other than the heating and ventilating system. This is indicated in [Figure 108 on page 87](#) by the top horizontal line, which intersects Room Heat Loss Line A at approximately 37°F. This is a reasonable estimate of the maximum uncontrolled heat gain that can be received in the typical classroom from these common heat sources.

The Analysis

From [Figure 108 on page 87](#) it is evident that, at an outside temperature of 48°F or higher, the heat given off by 30 students and classroom lighting is sufficient to cause overheating. This is true even if the classroom is occupied at night when solar heat gain is not a factor. But, since classrooms are occupied during the day, solar addition provides heat in varying amounts even in classrooms with north exposures. Consequently, the heating and ventilating system in our typical classroom must provide cooling at all times when the outdoor temperature is above 48°F and at any time during colder weather when the solar heat gain exceeds room heat loss.

If we assume an average winter temperature of approximately 33°F in the region where our typical classroom is located, we know that, half of the time, both night and day, the outside temperature will be above 33°F. However, since it is generally warmer during the day, when school is in session, the heating and ventilating system will be required to provide cooling for this classroom during much of the time that the room is occupied.

In this example, we've assumed that our classroom had a room heat loss of 55,000 BTU/hr at a design outdoor air temperature of 0°F (Room Heat Loss Line "A").

Bear in mind, however, that the recent trend in "energy-saving" building design often results in rooms with lower room heat loss, as indicated by Room Heat Loss Lines "B", "C" and "D." At 0°F design outdoor air temperature:

- Room "B" has a room heat loss of 45,000 BTU/hr,
- Room "C" has a room heat loss of 35,000 BTU/hr,
- Room "D" has a room heat loss of 25,000 BTU/hr.

Note the lowering of the temperature above which cooling will always be required as the room heat loss decreases.

We've noted that cooling is always required in Classroom "A" when outdoor air temperatures exceed 48°F. In Classroom "B," "C," and "D" cooling is always required when outdoor temperatures exceed 44°, 36° and 23°F, respectively ([Figure 108 on page 87](#)).

Now that we understand the reason for classrooms overheating, the solution is simple: The heating and ventilating system must provide cooling to take care of the heat given off in the classroom by uncontrolled heat sources.

Cooling The Classroom

The Daikin Unit Ventilator has become a standard for heating and ventilating systems in schools because it provides the solution for overheating classrooms. The unit ventilator cools as well as heats. During the heating season the outdoor air temperature is nearly always below the desired room temperature. It stands to reason then that the outside air should be used to provide the cooling necessary to keep classrooms down to thermostat temperature.

The classroom unit ventilator does just that. By incorporating an automatically controlled outdoor air damper, a variable quantity of outdoor air is introduced in the classroom, metered exactly to counteract overheating. Since our problem is more one of cooling than of heating, it is evident that more than just the room heat loss must be determined to design a good heating and ventilating system. The cooling requirements should be assessed as well, and the free-cooling capacity of the equipment specified along with the heating capacity required. If this is done, the optimum learning temperature can be maintained in each classroom.

Meeting IAQ Requirements

Good indoor air quality (IAQ), which is important in the home and at work, is no less important to students and faculty in schools. For the past several years, efforts to reduce energy costs in new school buildings have seen the use of tighter construction, sealed windows and heavier insulation. While these construction techniques have helped reduce energy costs, tightly sealed buildings, or envelopes, when combined with increased use of recirculated air, have led to a condition known as sick building syndrome.

In a poorly ventilated school building, fumes and vapors from plastics and other synthetics are often not properly exhausted, while mold, fungus, and bacteria are able to flourish. These conditions can cause various ailments, including nausea, smarting eyes, and coughing, as well as increased student absenteeism and diminished productivity.

For these reasons, the American Society of Heating, Refrigeration and Air Conditioning Engineers (ASHRAE) now has recommendations for minimum ventilations rates for various types of classrooms and no longer endorses the practice of little or no usage of outdoor air.

Daikin Unit Ventilators & VentiMatic Shutters Solve The IAQ Problem

Daikin unit ventilators do a thorough job of maintaining a healthful and productive classroom environment through the introduction of plenty of filtered fresh air directly into the classroom. This feature, which has always been a significant factor in reducing energy costs, is now more important than ever in the promotion of a healthful environment for learning.

It should be kept in mind that a properly designed exhaust system is essential for avoiding indoor air quality problems. Simply put, if room air is not being exhausted in a prescribed fashion, fresh outside air cannot be introduced into the room. Likewise, an excessive amount of outside air will be admitted, wasting energy.

The Daikin VentiMatic shutter, a gravity-actuated room exhaust vent, can solve both these problems. The VentiMatic shutter allows the correct amount of outdoor air to be brought into the room while maintaining a slight positive pressure in the room. This slight positive pressure, maintained during normal operation, can also help prevent the infiltration of undesirable gases into the classroom. See "[VentiMatic™ Shutter – Room Exhaust Ventilation](#)" on page 30

Following ASHRAE Control Cycle II

ASHRAE Cycle II is a very economical sequence of control because only minimum amounts of outdoor air are heated and free outdoor air—natural cooling—is available to offset the large internal heat gain associated with the dense occupancy of classrooms.

Daikin unit ventilators are normally controlled according to ASHRAE Control Cycle II. ASHRAE control cycles apply only to heating, heating-and-ventilating and free-cooling operation. (For more information on the ASHRAE Control Cycle II sequence, see "[ASHRAE Cycle II Operation](#)" on page 99.)

Under ASHRAE Cycle II, the outdoor air damper is closed during warmup of the room. As the room temperature approaches the thermostat setting, the outdoor air damper opens to a predetermined minimum percentage of outside air. The heating coil capacity controller then modulates to maintain the thermostat setting.

If the room temperature rises above the thermostat setting, the heating coil is turned off and the outdoor air damper opens beyond the minimum position to maintain the thermostat setting.

EXAMPLE: For a 60°F entering air mixture temperature and 70°F room temperature, with 30°F outdoor air temperature, 25% outdoor air will produce the 60°F mixture air temperature. When the outdoor air temperature drops to 10°F, 12.5% outdoor air will produce the 60°F mixture air temperature.

Night Setback

Substantial fuel savings can be realized by operating the unit ventilator system at a reduced room setting at night and during other unoccupied periods, such as weekends and holidays. Units with steam or hot-water coils will provide convective heat during the setback period. If the space temperature falls below the setting of the unoccupied thermostat, the unit fans will be brought on to provide additional heat. Units with electric heat coils do not provide convective heat. The electric coil and the unit fans will be brought on to maintain the thermostat setting.

Typical Temperature Control Components

In general, unit ventilators require the following basic DDC electrical components in order to operate on any of the standard unit ventilator ASHRAE cycles of control. The control components listed in this section are for familiarization purposes only and should not be construed as a bill of material.

Outdoor Air Damper Actuator

This is a modulating device under the control of the room and discharge sensors. It positions the outdoor air damper to admit the amount of outdoor air required at any given point in the control cycle. The room air damper is mechanically linked to the outdoor air damper, which permits the use of a single actuator. Electric actuators should be of the spring-return type so that the outdoor air damper closes whenever the electric power supply to the unit is interrupted.

Discharge Airstream Sensor

This device overrides the room sensor and modulates the outdoor air damper toward the closed position when the unit discharge air falls to a potentially uncomfortable temperature.

Temperature Modulation Devices

The temperature of the air entering the room is modulated using one or more of the following devices:

Face and Bypass Damper Control: A modulating damper actuator, under control of the room sensor, positions a face and bypass damper to control the amount of air that passes through or around the unit coil.

Valve Control: A modulating valve, under control of the room sensor, regulates the flow of steam, hot water or chilled water through the unit coil.

Electric Heat Step Control: A modulating step controller, under control of the room sensor, steps individual electric heating elements on and off as required. Staging relays are sometimes used in lieu of a step controller.

Note: *When unit ventilators containing electric heat are ordered without controls (controls by others) the contactors and relays used for staging the electric heat are not provided. This is because the number of stages varies based on the type and manufacturer of the control devices. It is not possible to pre-engineer contactors and relays for all of these variables. The control contractor is responsible for making certain that the controls correctly control the unit's functions.*

Room Sensor

The room sensor is a temperature-sensing device that modulates the intensity of an electric signal to the controlled components within the unit in order to maintain the room sensor's comfort setting. Room sensors can be mounted on the wall or within the unit in a sampling chamber.

Additional Components

Additional components may be required depending on the specific application. They include:

Sampling Chamber: This device is required whenever the room sensor is to be mounted within the unit ventilator rather than on the wall. The sampling chamber is located behind a series of holes in the unit front panel. The sensing element of the room sensor is positioned within the sampling chamber. The unit fans draw a representative sample of room air over the sensing element at a relatively high velocity, which is necessary for rapid control response. Sampling chambers are furnished with MicroTech controls.

Low Temperature Protection: A low temperature limit or freezestat senses the discharge air temperature off the hydronic coil. If the temperature drops below 38°F, the unit ventilator will shut down, closing the outdoor air damper and opening the heating valve.

DX Cooling Control: This sequence switch in the cooling control circuit energizes the condensing unit contactor on a call for mechanical cooling.

DX Cooling Low Ambient Lockout: This lockout must be used on DX split systems to lock out the condensing unit when the outdoor air temperature is below 64°F (17.5°C). This device must be integrated into the control system so that the unit has full ventilation cooling capability during the lockout period.

DX Low Temperature Limit: This limit must be used on DX split system cooling units to de-energize the condensing unit (compressor) when the refrigerant falls below freezing. DX units with MicroTech controls have a factory-installed sensor across the leaving side of the DX coil that provides a representative sample of the coil's temperature.

Meeting AHRI 840 Requirements

The ventilation rate of Daikin Applied unit ventilators is certified and tested per Air Conditioning, Heating and Refrigeration Institute (AHRI) Standard 840. Per this standard, unit ventilators with outside air ventilation and return air dampers must provide ventilation air at a rate of minimum of 80% rated standard air flow. They must also be capable of providing any combination of humidity control, circulation, heating or cooling, and filtering of air.

Face & Bypass Temperature Control

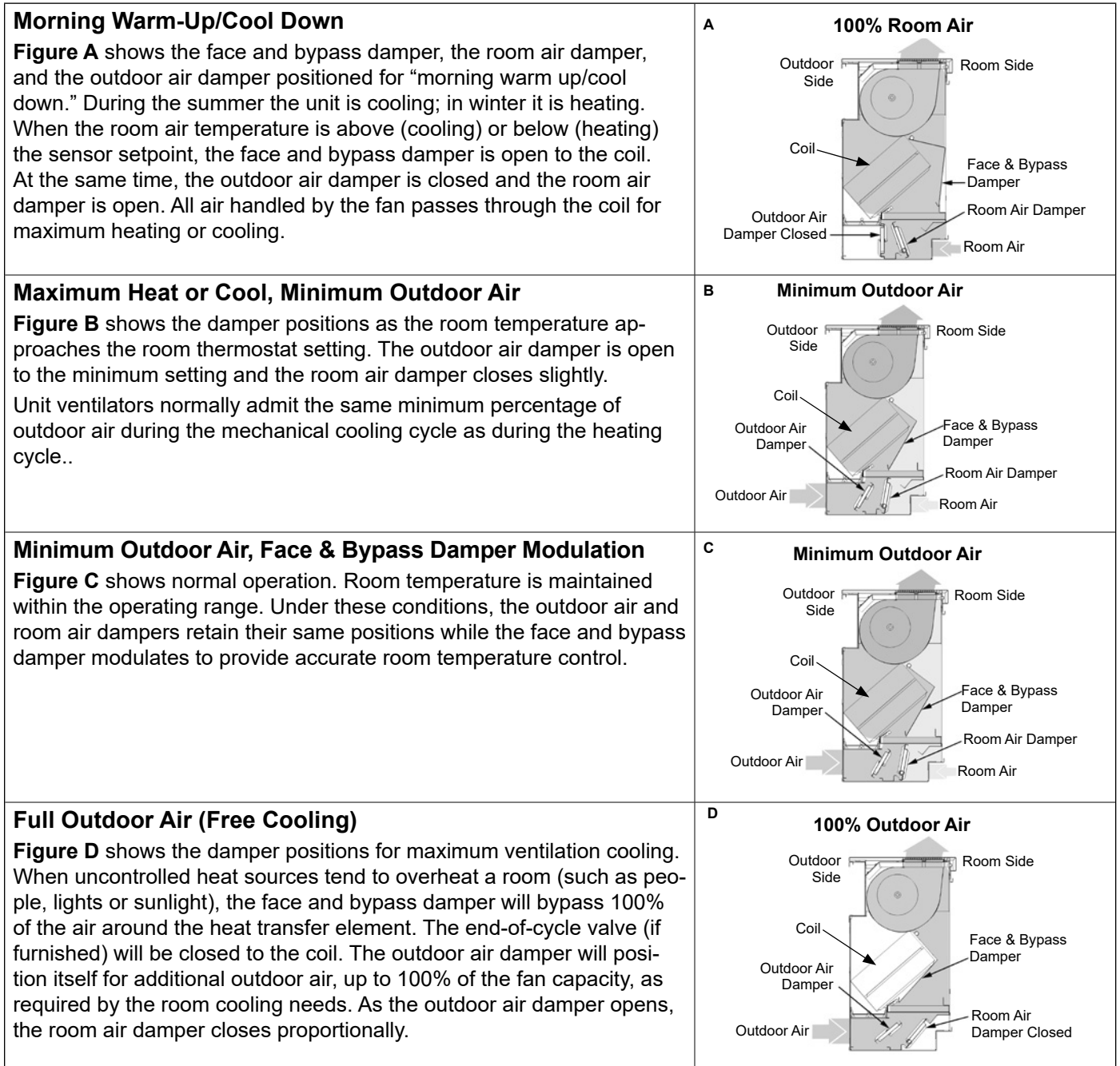
Unit ventilators with face and bypass damper control are available for 2-pipe or 4-pipe applications. Two-pipe chilled/hot water installations require a system change-over from heating to cooling whenever the outdoor air temperature rises to a point that ventilation cooling can no longer offset the heat gains in the space. The reverse happens whenever heating is required. Four-pipe systems have both heating and cooling available whenever needed. With 4-pipe systems, each unit will automatically change over to heating or cooling as the room temperature demands.

Precise Environment Control

Face and bypass damper control units utilize standard unit ventilator cycles of temperature control and bring in up to 100% fresh outdoor air for ventilation (free) cooling of the classroom. The bypass damper allows all air to pass through the heating coil for fast warm-up. A portion passes through the coil and a portion bypasses the coil when less heat is required. All air bypasses the coil when “free” cooling or no heating is required.

The superior ability of the face and bypass damper to control temperature and humidity during cooling operation is well established. Constant chilled water flow maintains the coil surface temperature at or below dew point, providing maximum dehumidification.

Figure 109: Face & Bypass Temperature Control



Ease Of System Balancing

With face and bypass damper control, the water in the system is constantly circulating, which maintains a desirable head pressure to the pumps. With fluctuating head pressure eliminated, balancing the system can enable the correct quantity of water in all circuits.

Improved Boiler Economics

In a 2-pipe system, the coil is usually selected for cooling and, during the heating season, extra coil heat transfer is available. Since the water is always being pumped with face and bypass, boiler water temperature can be modulated rather than fixed, reducing the hot water temperature to better match the heating load. This is an opportunity to reduce operating costs. By resetting the boiler hot water to 90°F and modulating upward to 140-160°F for design conditions, boiler economy results in savings. Better room temperature control is available at low heating loads and the system can be quickly and easily changed over from heating to cooling or vice versa.

Since conditions of full heating or full cooling are achieved only 1-2% of the time, savings are available with today's chillers. Load rates at changeover from heating to cooling of 100°F plus are limited and the chiller protected. Daikin chillers have this state-of-the-art system. Considerable savings can be realized when you couple this cooling with today's high-efficiency condensing boilers (which can accept 45°F entering water without damage) and with the elimination of boiler circulating pumps, mixing valves and isolation valves.

Easy Maintenance

A Daikin Applied unit ventilator with face and bypass damper control is easier to maintain. It has fewer moving parts: one pump, one motorized valve, two or three small modular condensing boilers, one or two air-cooled chillers, and, in each classroom, one outdoor air damper actuator, one face and bypass damper, and one fan. The system can deliver the lowest utility cost. And with their long, durable life, replacement/maintenance costs can be deferred. These low costs are desirable to taxpayers and school officials, so limited resources can be used to support teaching.

Reduced Risk Of Coil Freeze

With face and bypass damper control, there is no change in the flow of water through the coil. Coils that have a constant flow of water—especially hot water—cannot freeze. On valve control units, water left in the heating coils after the modulating temperature control valve shuts can freeze and rupture the coil.

Additional freeze protection is afforded by Daikin's double-walled cold weather outdoor damper. It has encapsulated insulation and wool mohair end seals to help prevent unwanted cold air from entering the unit. This construction method further decreases the chance of coil freeze if water flow is inadvertently interrupted.

A low-temperature freezestat, factory installed on all hydronic units, significantly reduces the chance of coil freeze-up. Its wave-like configuration senses multiple locations by blanketing the leaving air side of the coil to react to possible freezing conditions.

Hot Water Reset

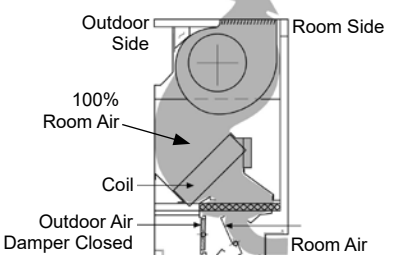
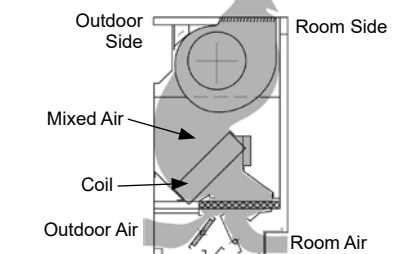
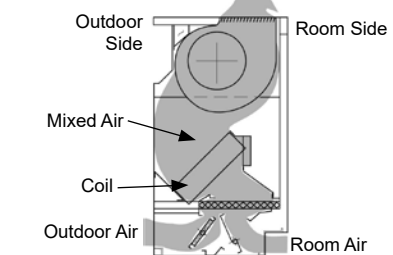
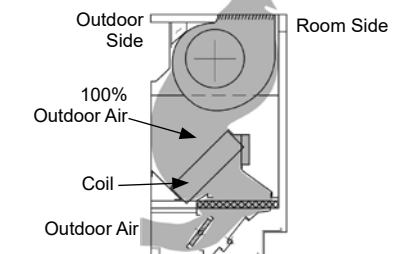
Automatic reset should be used to reduce the temperature of the hot water being recirculated as the outdoor air temperature rises. This should be reversed as the outdoor temperature drops. Such adjustments help prevent overheating and reduce fuel costs.

Modulating Valve Temperature Control

Modulating valve-controlled unit ventilators are an alternative to face and bypass control. All air handled by the fans passes through the coil at all times. A valve-controlled unit ventilator is a constant-volume, variable-temperature device that delivers constant air while modulating water flow through a chilled-water coil to maintain the dry bulb (sensible) temperature in the classroom. With

water flow through the coil being modulated, the surface temperature of the coil increases and reduces the coil's ability to remove moisture or dehumidify. The moisture brought from outdoor air, along with the internally generated moisture from students, can result in unacceptable indoor humidity levels. Face and bypass is the preferred method to maintain indoor humidity levels and reduce damaging freezing.

Figure 110: Modulating Valve Temperature Control

<p>Morning Warm-Up/Cool Down</p> <p>Figure A shows the modulating valve allowing full flow through the coil and the room air damper and outdoor air damper positioned for morning warm-up/cool-down. In the summer, this is full cooling; in the winter, it is full heating. When the room temperature is above the sensor setpoint (cooling), or below the setpoint (heating), the valve opens for full flow through the coil. All air is directed through the coil(s).</p>	<p>A</p>  <p>Outdoor Side Room Side 100% Room Air Coil Outdoor Air Damper Closed Room Air</p>
<p>Minimum Heating</p> <p>Figure B shows the outdoor air damper moved to its minimum position. The modulating valve is still allowing full flow through the coil. Unit ventilators normally admit the same minimum percentage of outdoor air during the heating cycle as during the mechanical cooling cycle. All the air is directed through the coils.</p>	<p>B</p>  <p>Outdoor Side Room Side Mixed Air Coil Outdoor Air Room Air</p>
<p>Minimum Outdoor Air</p> <p>Figure C shows normal operation. Room temperature is maintained by modulating the flow through the coil. The outdoor and room air dampers maintain the same positions and all air is directed through the coils.</p>	<p>C</p>  <p>Outdoor Side Room Side Mixed Air Coil Outdoor Air Room Air</p>
<p>Full Outdoor Air (Free Cooling)</p> <p>Figure D shows the modulating valve closed, allowing no flow through the coil. The outdoor damper is fully open and the room air damper is closed. The sensor setting dictates when the outdoor damper needs to begin closing. When the minimum outdoor damper position is reached, the valve needs to modulate towards the full open position. All the air is directed through the coils. (Care must be taken to ensure coils are not exposed to freezing air conditions when the modulating valve is shut or no water is flowing through coils. See "Increased Coil Freeze Protection" on page 9.)</p>	<p>D</p>  <p>Outdoor Side Room Side 100% Outdoor Air Coil Outdoor Air</p>

Modulating Valve Control With Hot Water Or Steam

The description of unit operation given for damper-controlled units is correct for valve-controlled units except that references to face and bypass dampers and end-of-cycle valves should be disregarded. The capacity of the heating coil will be regulated by a modulating control valve and all air handled by the unit will pass through the heating coil at all times.

Hot Water Reset

Hot water system controls should include a provision for resetting the temperature of the supply hot water in relation to the temperature of the outdoor air. A hot water temperature of 100°-110°F, is suggested when the outdoor air temperature is 60°F. The upper limit of the hot water temperature will be dictated by the winter design conditions.

The need for hot water reset controls is not limited to applications involving unit ventilators with face and bypass control. Valve control performance will be improved as well. When the supply water temperature is far in excess of that required to offset the heat loss of the space, the smooth modulating effect of the control valve is lost. The control valve will cycle between slightly open and fully closed. The effect of heat conduction through a closed valve will also be reduced when hot water reset is used.

Freeze Protection

System freeze protection is an important consideration on units utilizing hydronic coils. On valve-controlled units, water left in the heating or cooling coils and exposed to freezing outdoor air after the modulating valve shuts can freeze and rupture the coil. Flowing water will not freeze. In addition, it is very important to correctly size the modulating control valve and control the supply water temperature to provide constant water flow. If this situation cannot be guaranteed, an antifreeze solution must be employed to reduce the possibility of coil freeze.

Coil Selection

An extensive choice of coil offerings means that, with Daikin unit ventilators, room conditions can be met using almost any cooling or heating source. All coils are located safely beneath the fans and are designed for draw-thru air flow. All coils have their own un-shared fin surfaces (some manufacturers use a continuous fin surface, sacrificing proper heat transfer). The result is maximum efficiency of heat transfer, which promotes comfort and reduces operating costs.

An air break between coils in all Daikin units is used to enhance de-coupling of heat transfer surfaces—providing full capacity output, comfort and reduced operating costs. All water, steam and direct expansion (DX) coils are constructed of aluminum fins with a formed, integral spacing collar. The fins are mechanically bonded to the seamless copper tubes by expansion of the tubes after assembly. Fins are rippled or embossed for strength and increased heat transfer surface. Coils and units are AHRI capacity rated.

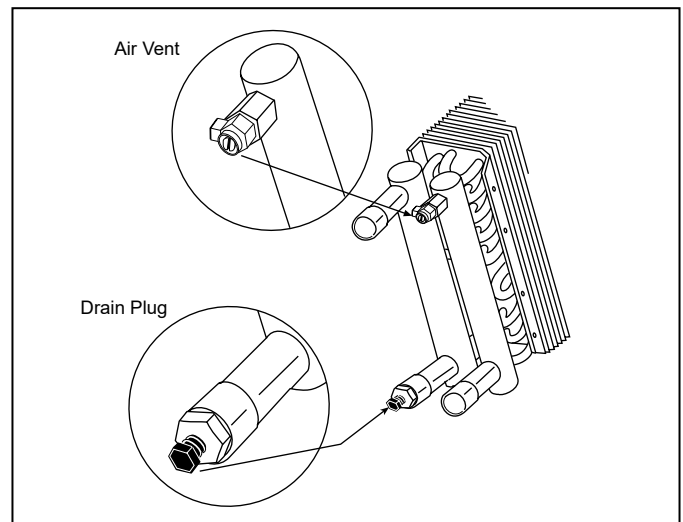
High-Quality Water Coils

Daikin Applied water coils rely on advanced heat transfer to provide extra cooling capacity for today's increased ventilation requirements. Tuned internal water flow and a balanced header design, together with additional surface area in the air stream, increase heat transfer to satisfy the increased need for dehumidification.

A manual air vent is located on the top of the coil header of all floor hydronic coils. (Figure 111). This allows air to be purged from the coil during field start-up or for maintenance.

A manual drain plug (Figure 111) is provided at the bottom of the coil header for coil drainage. Some competitors may not provide for drainage of coils.

Figure 111: Manual Air Vent & Drain Plug



Long Lasting Electric Heating Coils

With our draw-thru design, electric coils are directly exposed to the air stream. They come with a built-in switch to de-energize the coil when the center front panel is removed. A unit-mounted disconnect switch is included. A continuous electric sensory element for high temperature is not required because the air is drawn smoothly and evenly across the coils, prolonging life. (Blow-thru designs use cal rods inserted into the tube of a fin tube coil that results in reduced heat transfer. The constant movement of the electric heating cal rod within the tube shortens life.)

Even Distribution Steam Coils With Vacuum Breakers

Steam distribution coils provide even distribution of steam and even discharge air temperatures. A vacuum breaker relieves the vacuum in the steam coil to allow drainage of condensate. This eliminates water hammer and greatly reduces the possibility of coil freeze-up.

DX Split Systems

Daikin unit ventilators are available with direct expansion (DX) cooling coils that are equipped with thermal expansion valves. Unit ventilators with DX coils operate as a system with most properly sized R-410A condensing units. In most classroom applications, if the unit ventilator and the condensing unit are sized properly, the application should fulfill its design expectations.

The proper selection of a DX split system unit ventilator for a classroom requires special considerations. This is due to the high amount of outdoor air ventilation required and to the occupied and unoccupied cooling requirements. Because of the high number of occupants in classrooms, cooling is required even when the outside air temperature is very mild. With mild ambient conditions, down to 55°F, the system can create colder discharge air temperatures than desired and can even trip the DX low temperature limit on the unit.

DX for Heat Pump Operation

The DX coil will have a TXV bypass installed to allow for split-system pairing with a heat pump condensing unit, to allow for field-supplied refrigerant heating. This option is only selectable on units with Digital Ready or Control by Others.

Condensing Unit Selection

Proper sizing of the field-supplied condensing units is important for trouble-free operation. An oversized condensing unit can reduce performance and cause operational problems, such as:

- Rapid temperature pull down, causing short cycling and potential compressor damage.
- Poor temperature and humidity control.
- Low saturated evaporator coil conditions.
- Low discharge air temperatures.

If the DX system is oversized for the room loads the compressor will have short run times. When rooms are occupied, unit ventilators provide outdoor air to the space continuously. In humid areas, the outdoor air is laden with moisture. The room thermostat responds to the room sensible temperature. With short compressor run times (oversized condition) the system is unable to extract the moisture and the humidity level builds, sometimes exceeding 60 percent.

To properly size the unit ventilator, determine the cooling load based on May and September conditions at 1 pm when the classroom is occupied. Do not select units for July or August, after 3 pm, or when the classroom is unoccupied. Select a properly sized unit based on the calculated cooling load, ambient air temperature and enter air temperature to the coil. If the calculated cooling load falls between two unit sizes, select the smaller of the two units to minimize the potential problems seen with oversized units.

A general rule for DX unit sizing is 400 cfm per ton of cooling capacity. If the 400 cfm per ton criteria is followed, most problems can be avoided. Review the design selection for the system and a typical low ambient condition to determine if the suction temperatures are below an acceptable level.

Table 65 shows the recommended condensing unit size, based on nominal tons, for each size unit ventilator. The Table is based on 400 plus cfm per ton for high-speed operation, at design conditions. If you anticipate a lower-speed DX cooling operation, additional static pressure, or lower outdoor ambient temperature operation, a smaller condensing unit should be considered.

Table 65: Condensing Unit Size Selection

Unit Vent Model	Unit Vent CFM Nominal	Condensing Unit Size Tons Nominal
07	750	1-1/2
10	1000	2-1/2
13	1250	3
15	1500	3-1/2

Control Considerations

Most unit ventilators for classroom applications require compressorized cooling below 75-80°F outdoor ambient due to internal student, equipment and solar loads. For effective system operation and correct thermal expansion valve operation at these conditions, condensing unit head pressure control is required. A hot gas bypass system or an evaporator minimum pressure regulator may also be required to maintain suction pressure.

The unit ventilator incorporates provisions for wiring to the contactor in the condensing unit. A 5-minute delay relay is included to reduce compressor cycling. On Digital Ready and Controls By Others units, a DX low limit is included to help protect against abnormally low evaporator coil temperatures caused by unit ventilator motor failure, blocked air filters, or other restrictions to airflow.

When MicroTech unit ventilator controls are provided, the controller operates the condensing unit contactor, as needed, to provide cooling when required.

When controls are not provided by Daikin, the normally closed contacts of the DX low limit should be electrically connected (following all appropriate codes) to disable the compressor when contacts open. Controls must be designed to keep the unit ventilator fan running when the compressor is on, so that the face and bypass damper is full face for compressorized cooling operation and other system safeties are provided and integrated into the system controls correctly.

When a DX coil is used for the main source of cooling, the outdoor condensing unit will be cycled on and off as required to maintain the room temperature.

A low temperature thermostat control is inserted into the DX coil to prevent frosting. When tripped, the outdoor condensing unit is locked out and the indoor unit ventilator fan continues to run. When the DX coil temperature rises above the trip set point, the outdoor condensing unit will be allowed to operate.

The outdoor condensing unit is also locked out based on outside air temperature. If the outside air is below the DX outside air low limit the outdoor condensing unit is locked out and cooling is provided by the economizer of the unit ventilator.

Condensing Unit Installation

The condensing unit must not be located more than 30 feet above the unit ventilator and should be located at least 24 inches from a wall or other obstruction to provide unrestricted airflow and to allow for service access. Since condenser discharge air is vertically directed, do not allow any obstruction within 6 feet (measured vertically) from the top of the condensing unit.

Control circuit power, located in the unit ventilator right end compartment, is obtained from a 24-volt transformer furnished by Daikin. The transformer is wired to the fan control switch to de-energize the 24-volt circuit when the switch is in the off position. The condensing unit must be controlled by the same room sensor that controls the unit ventilator.

The temperature control contractor must field supply a low-ambient thermostat in the 24-volt circuit to prevent operation of the condensing unit when the outdoor air temperature is below 60°F. Wire this device into the temperature controls in such a manner that, when the low ambient thermostat opens at 60°F, the unit ventilator is returned to the heating-only mode with full ventilation cooling capabilities.

Typical System Wiring And Piping

General system wiring and piping for a DX system are shown in Figure 112 and Figure 113. For additional information, see Daikin Unit Ventilator Installation Manual IM 817.

Figure 112: Typical DX System Wiring

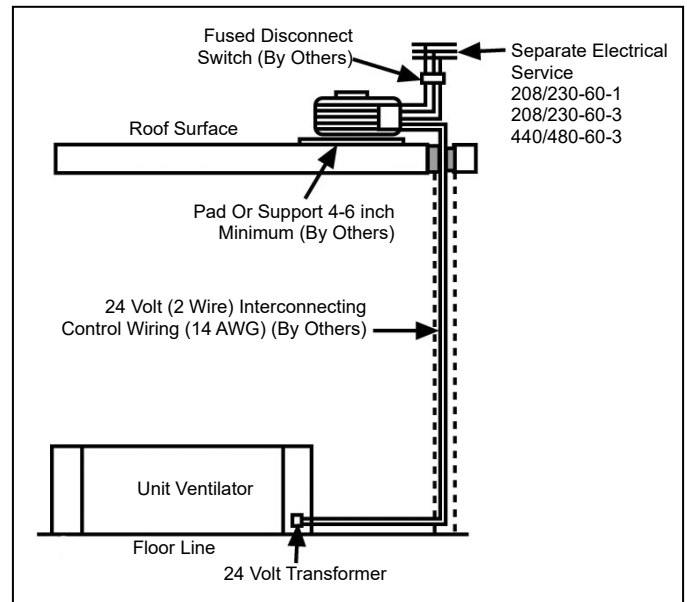
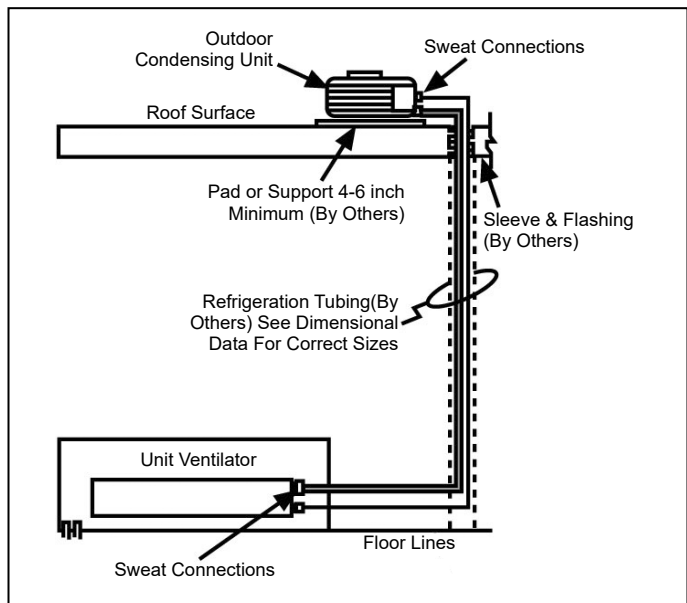


Figure 113: Typical DX System Piping



Nominal cooling capacities are based on 20 feet (one way) of refrigerant tubing between the unit ventilator and the condensing unit. Cooling capacities will be reduced by 20 BTU for each foot in excess of 20 feet. Refrigerant tubing must not exceed 90 feet.

Systems using refrigerant lines longer than 20 feet between the unit ventilator and condensing unit may experience a slight capacity reduction and require crankcase heaters, additional refrigerant oil and refrigerant, and special piping considerations. Clean, refrigerant grade tubing must be used and precautions taken to prevent oxidation and scale formation inside the tubing during brazing. Adequate system isolation valves are required. A filter drier and sight glass are recommended. For specific recommendations on suction and liquid line sizes, routing and length limits, follow the condensing unit manufacturer's recommendations and the ASHRAE Guide.

Most condensing units are pre-charged with refrigerant (R-410A) for a nominal length of tubing. It may be necessary to add additional charge. The system, including the unit ventilator coil, must be leak tested and evacuated before charging.

Proper refrigerant charge is critical for optimum system operation. Refer to the condensing unit manufacturer's start-up documents to determine the proper system charge.

Digital Ready Systems

For unit ventilator applications where controls are to be supplied by others, specifying a Digital Ready system can greatly simplify control installation.

Digital Ready systems come with a factory-installed, pre-wired package of selected Direct Digital Control (DDC) components. This greatly facilitates the field hook up of a DDC unit ventilator controller that is compatible with these components and that is capable of providing the standard ASHRAE II cycle (see "[ASHRAE Cycle II Operation](#)" on page 99).

Note: *It is the responsibility of the control supplier to ensure the controls operate correctly and protect the unit.*

Digital Ready systems include the following components, which are factory wired and powered:

1. A non-fused power interrupt switch.
2. Hot line(s) for the fan motor and controls protected by factor- installed cartridge type fuse(s).
3. A three-speed HIGH-MEDIUM-LOW-OFF motor fan speed switch.
4. A 75 VA, 24-volt NEC Class 2 transformer for the 24-volt power supply.
5. Three 10-pole, Europa-type, 16 awg terminal strips rated for 10 amps at 300 volts with nickel-plated connectors and zinc-plated clamping screws.
6. Approximately 8" x 21" (203mm x 533mm) of space provided in the unit ventilator's left end compartment for unit ventilator controller mounting (by others).
7. Interface to the fan motor start/stop relay (R4).
8. Interface to a factory-installed low-air-temperature limit freeze-stat (T6). The freeze-stat cuts out below 38±2°F and automatically resets above 45±2 °F. It responds when any 15% of the capillary length

senses these temperatures. And, it is wired so that upon T6 cut out, the outside air damper closes, the hot water valve opens and the 24 volt power supply to the terminal strip (T6 Sig) is interrupted.

9. Discharge air temperature sensors: 10 K ohm NTC (Negative Temperature Coefficient) and 1 K ohm PTC (Positive Temperature Coefficient) located on the second fan housing from the right side of the unit.
10. Room temperature sensors: 10K ohm (NTC) and 1Kohm (PTC).
11. Outdoor air temperature sensors: 10K ohm (NTC) and 1Kohm (PTC).
12. A direct-coupled, proportional-control (2 to 10 VDC or 4 to 20 mA) outdoor air/return air damper actuator with spring return.
13. A direct-coupled, proportional-control (2 to 10 VDC or 4 to 20 mA) face and bypass damper actuator without spring return.
14. Interface from the terminal board with one or two end-of-cycle DDC valves with spring return actuators (by others) providing 24-volt power. Open/shut signal from unit ventilator controller (by others).
15. A 24-volt power wiring harness from the right to left-hand end compartment of the unit, through the built-in metal wire raceway, and terminating at three terminal blocks.
16. DX low-limit designed to protect against abnormally low evaporator coil temperatures (DX units only).

Note: *See "[Required Control Sequences](#)" on page 98 for control sequences that should be incorporated for equipment protection and occupant comfort.*

Field-Installed Controls By Others & Digital Ready Controls

There are many advantages to having the basic temperature controls in Daikin units be MicroTech and factory-installed in the unit ventilator prior to shipment (see "[MicroTech® Controls \(Optional\)](#)" on page 25). However, factory installation of controls cannot always be achieved. For example, sometimes the specified controls are nonstandard and as such deviate from the pre-engineered DDC control packages available.

A particular school system may have a preferred temperature control supplier that is unable to interface with standard unit ventilator controls or may decide to field-install them. In such cases, we will ship the unit without any temperature controls. It is the responsibility of the automatic temperature control supplier to provide a control package specifically for installation in the Daikin unit ventilator.

The responsibility for proper control operation and application always rests with the Automatic Temperature Control (ATC) contractor regardless of whether the controls are factory installed or field installed.

The effect of misapplied or improperly installed controls can go beyond unacceptable or poor temperature control: unit ventilator components may be damaged by control misapplication. Brief examples of this include:

- Frozen hydronic coils due to improper or lack of freeze protection and/or incorrect control cycle (failure to close outdoor air damper and open the hot water temperature control valve during night cycle, full shutoff of water through a coil exposed to freezing air, etc.)
- Compressor failures where condensing units are permitted to operate at low ambient conditions or without room air fan operation for prolonged periods.
- Failure of Daikin Applied furnished protective devices due to excessive recycling caused by improper control cycle.

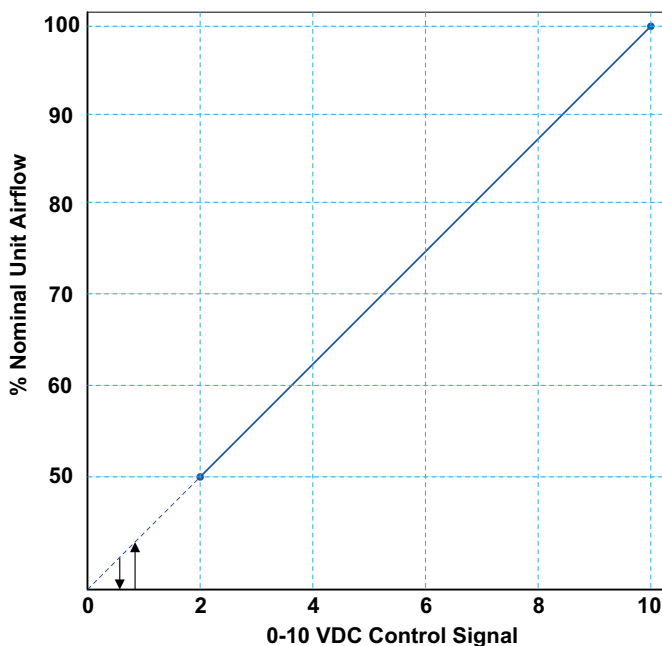
Daikin Applied disclaims all responsibility for any unit component failure that may occur due to improper temperature control application or installation.

The following presents information on specific factory-provided equipment protective devices and their suggested use by others in non-MicroTech control sequences. The Automatic Temperature Control supplier is responsible for correct operation and unit protection.

Variable Airflow

The EC motor with optional “variable fan speed control” allows for MicroTech controls or a field-provided DDC controller to modulate the unit airflow between 50% and 100% of nominal unit airflow via a 0-10vdc analog control signal. The scale is linear between a minimum 50% airflow at 2vdc and a maximum 100% airflow at 10vdc as shown in [Figure 114](#). Reducing the input signal to 0vdc will cause the motor to turn off. Care should be taken when using variable airflow on units with DX cooling as lower airflow may increase the risk of coil freeze-up. Variable airflow control should not be used on units with electric heat.

Figure 114: 0-10VDC Motor Operation



ASHRAE Cycle II

We strongly recommend that ASHRAE Cycle II be implemented with all unit ventilators using controls by others. ASHRAE Cycle II is a very economical sequence since only the minimum amount of outside air is conditioned and free natural cooling is available. See ["ASHRAE Cycle II Operation"](#) on page 99.

During warm-up (any classroom temperature 3°F or more below heating setpoint), the outdoor air damper is closed and the unit conditions only room air. As room temperature approaches the heating setpoint the outdoor air damper opens to a position that permits a predetermined minimum amount of outside air to be drawn in. Unit capacity is then controlled as needed to maintain room setpoints. If room temperature rises above room cooling setpoint, and the outside air is adequate for economizer cooling, then the outdoor air damper may open above the minimum position to provide economizer cooling.

ASHRAE Cycle II requires that a minimum of three temperature measurements be made:

1. Classroom temperature.
2. Unit discharge air temperature.
3. Outdoor air temperature.

Additionally, the control sequence should incorporate a Discharge Air Low Limit function which requires a discharge air temperature sensor and can override classroom temperature control in order to maintain a discharge air temperature setpoint of 55°F.

When the discharge air temperature drops below 55°F, the discharge-air low-limit function will disable cooling (if enabled) and modulate the unit’s heating capability as needed to maintain the 55°F discharge-air setpoint regardless of room temperature.

If the unit’s heating capability reaches 100%, then the discharge air low-limit function will modulate the outdoor air damper toward closed to maintain the 55°F discharge air setpoint. Outdoor air temperature is used to determine when to use economizer as a first stage of cooling, and when to use mechanical or hydronic cooling as the first stage of cooling.

Required Control Sequences

When using controls by others or digital-ready units, the following control sequences should be incorporated for equipment protection, and occupant comfort. Not including them may void the unit warranty. It is the responsibility of the Automatic Temperature Control supplier to ensure the controls operate correctly and protect the unit.

DX Low Temperature Limit Sequence

Each of the following units comes with a factory-installed DX Low Temperature Limit switch:

- DX Cooling With Electric Heat
- DX Cooling Only
- DX Cooling With Steam Or Hot Water Heat Using Valve Control
- DX Cooling With Steam Or Hot Water Heat Using Face And Bypass Damper Control

Its function is to temporarily de-energize the DX system when the DX coil becomes too cold. This switch has a cut-out setting of no less than 28±3°F and a cut-in temperature setting of approximately 48±3°F. When the switch cuts out due to low temperatures the compressor (condensing unit) must be de-energized until the switch cuts in (coil has warmed up).

The condensing unit should have its own high-pressure safety sequence or head pressure control and a Low Ambient Temperature Lockout feature which prevents

DX cooling operation when the outside air temperature drops below 60°F. Cooling should be provided via an outdoor air damper economizer function when the outside air temperature drops below 60°F.

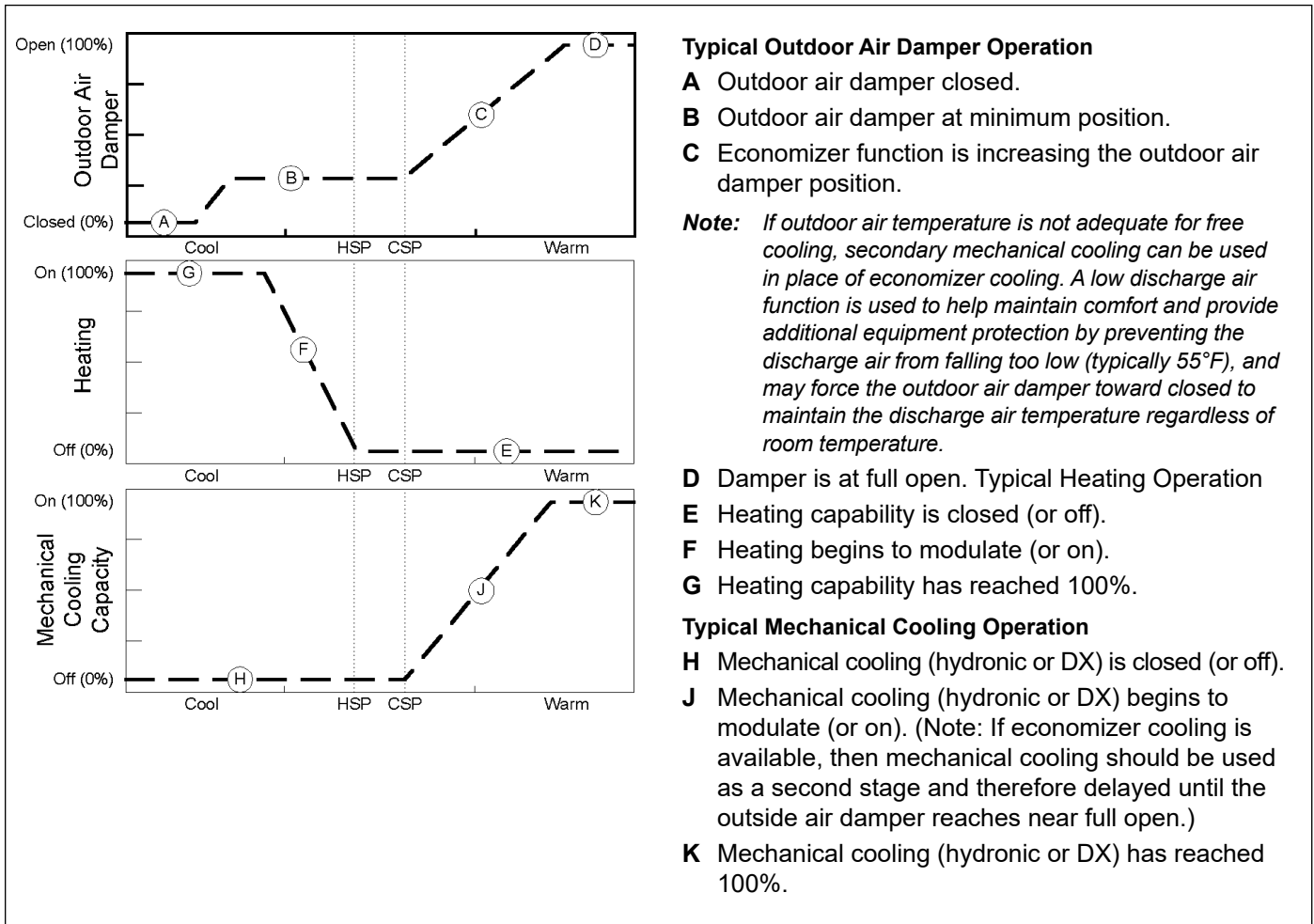
DX Cooling Sequence with Steam or Hot Water Heat and Face and Bypass Damper Control

For this configuration, a heating End-Of-Cycle valve must be used so that hydronic heat can be switched off when DX cooling is required. Improper system operation will result if this valve is not provided. When cooling is required, the controls must force the face and bypass damper to a full-face position prior to starting DX cooling. See "DX Split Systems" on page 95 for additional controls required for DX operation.

Chilled-Water Cooling Sequence with Face and Bypass Damper Control and Electric Heat

When heating is required, the controls must force the face and bypass damper to a full-face position prior to energizing the electric heaters.

Figure 115: ASHRAE Cycle II Operation



End-Of-Cycle (EOC) Valve Operation

The intended purpose of an EOC valve is to reduce the chances of conductive radiant overheating or over-cooling which can occur when the face and bypass damper is in the full bypass position (i.e., no heating or cooling required).

A heating EOC valve must be used on units with DX cooling coupled with steam or hot water heat and face and bypass damper temperature control. It is optional for the remaining models. However, it is strongly recommended that heating or heat/cool EOC valves be used on all face and bypass units with heating capability to prevent overheating.

Heat/Cool EOC Valve (2-pipe)

For units with chilled-water cooling and hot-water heating (2 pipe) and face and bypass damper control:

- The heat/cool EOC valve should be a normally open, spring return (open), two position valve.
- A water-in temperature sensor should be used to determine whether the supply water temperature is appropriate for heating or cooling. The sensor should be located on the water supply in an area where there is continuous water flow. A 3-way EOC valve is recommended.

In addition:

- 1. Heating Operation:** When the room temperature is 2°F or more below the heating setpoint and hot water is available, the EOC valve should open and remain open until the room temperature becomes equal to the heating setpoint or higher.
- 2. Cooling Operation:** When room temperature is 2°F or more above the cooling setpoint and cold water is available, the EOC valve should open and remain open until the room temperature becomes equal to the cooling setpoint or less.
- 3. Operation Due to Outside Air Temperature:** If the outside air temperature is equal to or less than 35°F, then the EOC valve should open and remain open until the outdoor air temperature reaches 37°F. or higher.

Heating EOC Valve

For steam or hot water heat only with face and bypass damper control; chilled water cooling with steam or hot water heating (4 pipe) with face and bypass damper control; steam or hot water heat with face and bypass damper control coupled DX cooling:

The heating EOC valve should be a normally open, spring return (open), two position valve.

In addition:

- 1. Heating Operation:** When the room temperature is 2°F or more below the heating setpoint, the EOC valve should open and remain open until the room temperature becomes equal to the heating setpoint or higher.
- 2. Operation Due To Outside Air Temperature:** If the outside air temperature is equal to or less than 35°F, the EOC valve should open, the EOC should then remain open until the outdoor air temperature reaches 37°F. or higher.

Cooling EOC Valve

For chilled water cooling with steam or hot water heating (4 pipe) with face and bypass damper control; chilled water cooling only with face and bypass damper control; chilled water cooling with face and bypass damper control coupled electric heat:

The cooling EOC valve should be a normally closed, spring return (closed), two position valve.

- 1. Cooling Operation:** When room temperature is 2°F or more above the cooling setpoint, the EOC valve should open and remain open until the room temperature becomes equal to the cooling setpoint or less.
- 2. Operation Due To Outside Air Temperature:** If the outside air temperature is equal to or less than 35°F, and the face and bypass damper is in the full bypass position, the EOC valve should open. The valve should remain open until the outdoor air temperature reaches 37°F or higher or if the face and bypass damper is not in the full bypass position.

Water Coil Low Air Temperature Limit (Freezestat) Operation

The Water Coil Low Air Temperature Limit, or freezestat, function is intended to help protect the water coil from extremely low air conditions. All units with hydronic coils ship with a freezestat. The freezestat has a cut-out temperature setting of no less than 38±2°F and a cut-in temperature setting of approximately 45±2°F. The freezestat is intended as a backup in case the normal operating controls fail to protect the equipment. It is used in the following manner:

Face And Bypass Damper Control Applications

Hot Water Heat Only or Chilled Water Cooling And Hot Water Heating (2 Pipe): The length of the freezestat is secured to the leaving air face of the heating coil. When the freezestat cuts out due to low temperatures the following should occur:

- The outdoor air damper is closed.
- The heating EOC valve is forced to full open.
- The face and bypass damper modulates as needed to maintain space temperature.

When the freezestat cuts in after cut-out, normal operation may return.

Chilled Water Cooling With Hot Water Heating (4 Pipe):

If the cooling coil is in the first position and the heating coil in the second position, the freeze-stat is secured to the leaving air face of the first position coil (cooling coil).

Note: *The freeze-stat is placed between the first and second coils. If you use glycol in the first coil, then you may move the freeze-stat to the leaving air side of the second coil. If you do not use glycol in the first coil, leave the freeze-stat where it is.*

If the cooling coil is in the second position, the heating coil is in the first position and the heating coil is hot water, the freeze-stat is secured to the leaving air face of the first position coil (heating coil).

When the freeze-stat cuts out due to low temperatures, the following should occur:

- The outdoor air damper is closed.
- The cooling and heating EOC valves are forced to full open.
- If heating is required, the face and bypass damper modulates normally to maintain room temperature.

When the freeze-stat cuts in after cut-out, normal operation may return.

Chilled Water Cooling Only: The freeze-stat is secured to the leaving air face of the cooling coil. When the freeze-stat cuts out due to low temperatures, the following should occur:

- The outdoor air damper is closed.
- The cooling EOC valve is forced to full open.
- If cooling is required, the face and bypass damper modulates as needed to maintain space temperature.

When the freeze-stat cuts in after cut-out, normal operation may return.

Chilled Water Cooling With Electric Heat: The freeze-stat is secured to the leaving air face of the cooling coil. When the freeze-stat cuts out due to low temperatures the following should occur:

- The outdoor air damper is closed.
- The cooling EOC valve is forced to full open.
- If cooling is required, the face and bypass damper modulates as needed to maintain room temperature.
- If heating is required, the face and bypass damper goes to full face and electric heat is used as needed to maintain space temperature.

When the freeze-stat cuts in after cut-out, normal operation may return.

DX Cooling With Hot Water Heat & Face and Bypass Control: The freeze-stat is secured to the leaving air face of the hot water heating coil. When the freeze-stat cuts out due to low temperatures, the following should occur:

- The compressor (condensing unit) is de-energized.
- The outdoor air damper is closed.
- The heating EOC valve is forced to full open.

- The face and bypass damper modulates as needed to maintain space temperature.

When the freeze-stat cuts in after cut-out, normal operation may return.

Valve Control Applications

System freeze protection must be considered on valve controlled units utilizing hydronic coils. Non-flowing water in heating or cooling coils that are exposed to freezing outdoor air can freeze and rupture the coil (after the modulating valve shuts). The modulating control valve must be correctly sized and the supply water temperature controlled to ensure constant water flow. If this cannot be guaranteed, use an antifreeze solution to eliminate the possibility of coil freeze.

Hot Water Heat Only or Chilled Water Cooling And Hot Water Heating (2 Pipe): The freeze-stat is secured to the leaving air face of the hot water heating coil. When the freeze-stat cuts out due to low temperatures, the following should occur:

- The outside air damper is closed.
- The unit fan is de-energized.
- The heating valve is forced to full open.

When the freeze-stat cuts in after cut-out, normal operation may return.

Chilled Water Cooling With Hot Water Heating (4 Pipe):

If the cooling coil is in first position and the heating coil is in second position, the freeze-stat is secured to the leaving air face of the first position coil (cooling coil).

Note: *The freeze-stat is placed between the first and second coils. If you use glycol in the first coil, then you may move the freeze stat to the leaving air side of the second coil. If you do not use glycol in the first coil, leave the freeze-stat where it is.*

If the cooling coil is in the second position, the heating coil is in the first position, and the heating coil is hot water, the freeze-stat is secured to the leaving air face of the first position coil (heating coil).

When the freeze-stat cuts out due to low temperatures, the following should occur:

- The outdoor air damper is closed.
- The unit fan is de-energized.
- The heating valve is forced to full open.

When the freeze-stat cuts in after cut-out, normal operation may return.

Chilled Water Cooling Only: The freeze-stat is secured to the leaving air face of the cooling coil. When the freeze-stat cuts out due to low temperatures, the following should occur:

- The outdoor air damper is closed.
- The cooling valve is forced to full open.

When the freeze-stat cuts in after cut-out, normal operation may return.

Chilled Water Cooling Coupled With Electric Heat:

The freezestat is secured to the leaving air face of the cooling coil. When the freezestat cuts out due to low temperatures, the following should occur:

- The outdoor air damper is closed.
- The cooling valve is forced to full open.
- Electric heat is used as needed to maintain space temperature.

When the freezestat cuts in after cut-out, normal operation may return.

DX Cooling With Hot Water Heat & Valve Control:

The freezestat is secured to the leaving air face of the hot water heating coil. When the freezestat cuts out due to low temperatures, the following should occur:

- The compressor (condensing unit) is de-energized.
- The outdoor air damper is closed.
- The unit fan is de-energized.
- The heating valve is forced to full open.

When the freezestat cuts in after cut-out, normal operation may return.

Unit Installation

The floor unit ventilator is typically applied exposed on an outside wall below a window in the classroom. This allows fresh air (outdoor air) to be directly fed into the classroom after filtering or tempering. The floor unit is usually mounted flush against the wall with the fresh air opening

in the back and the return air opening in the front (Figure 116). All units have a fully insulated back with gasketing for added protection.

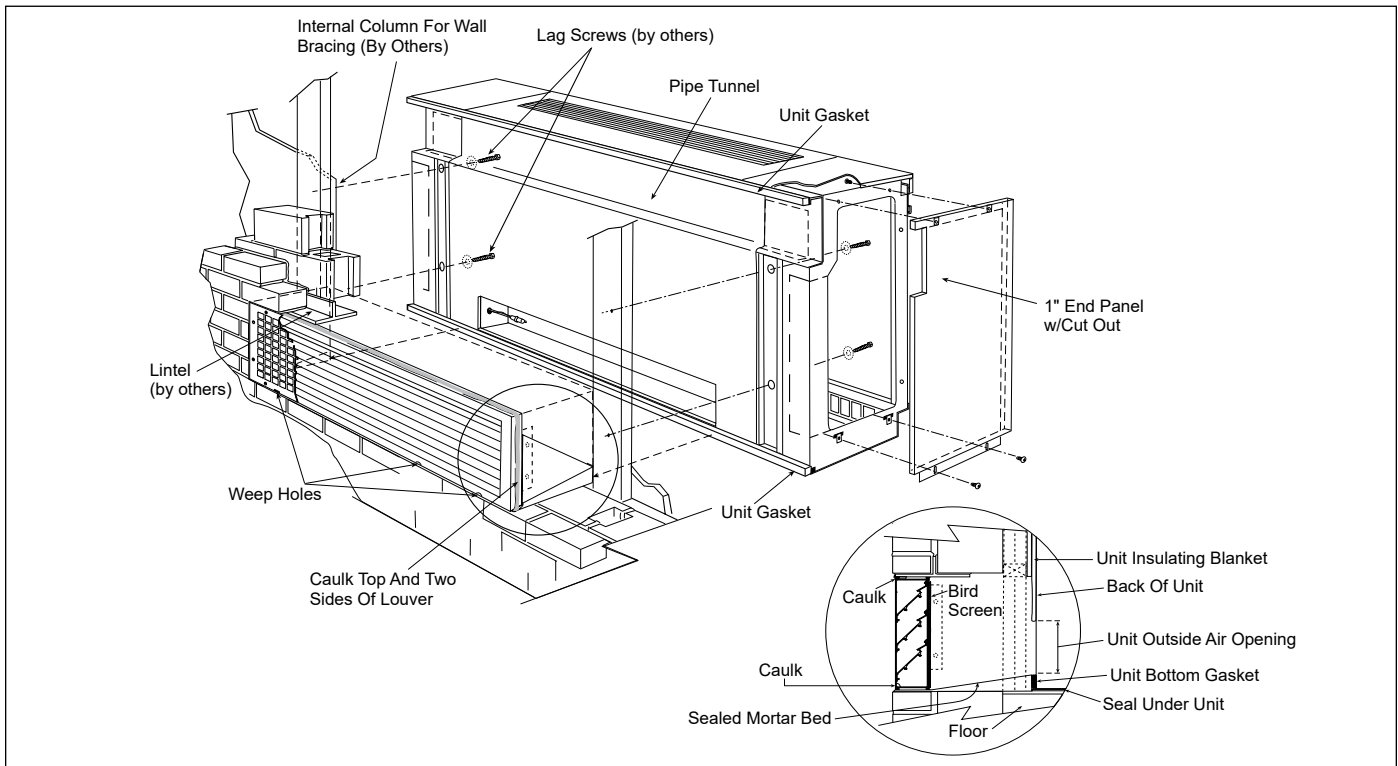
Wall and Floor Considerations

It is critical to consider the floor and wall structures when installing floor-mounted unit ventilators. The following requirements apply:

- The unit must be securely mounted against an outside wall into which an opening is cut for an outdoor air intake louver.
- Placement of the outdoor air intake louver is critical for proper ventilation. It must be unobstructed, with no plants, trees or walls blocking the opening within 3 feet.
- Four pre-drilled holes are provided for securing the unit to the wall. Structural members must be available in the wall to support these attachments. Securing the unit to the wall compresses the unit back insulation and gasketing to help prevent air leaks and freezing of piping or coils.
- The floor must have sufficient strength to support the unit and prevent tipping.
- Space must be available under the floor to feed piping supply and return lines to the unit.

The following are general instructions for suggested applications. In all cases, good engineering practices and local codes must be followed.

Figure 116: Recessed Wall Louver Installation Detail



Wall Louvers

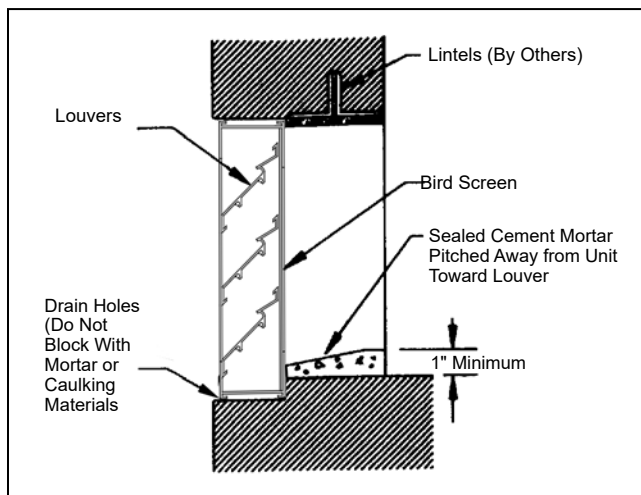
The outdoor air wall louver is usually set directly back of the unit ventilator. The position of the wall louver is determined in general by the building construction. The top of the lower channel of the louver frame should be at least 1/2" below the level of the inlet to the unit ventilator. However, if a high intake opening is necessary, the top of this opening should be not more than 28" above the surface upon which the unit ventilator will set.

Recessed Wall Louvers

Set recessed wall louvers into the wall in a bed of mortar with the face of the louver frame set slightly inside the wall line. The complete wall louver frame must be level with the face plumb and the louver frame set so that the drain holes on the bottom are toward the outside of the building.

The mortar should seal the frame perimeter water-tight to help prevent leaks. Do not block drain holes in the frame with mortar (Figure 117).

Figure 117: Recessed Wall Louver Installation Detail



Flanged Wall Louvers

Set flanged wall louvers into the wall in a bed of mortar with the face of the louver frame flush with the wall line (Figure 118). The complete wall louver and frame must be set level. Do not block drain holes in the frame with mortar.

Use appropriate fasteners to secure the louver through the flange into the adjacent wall. Caulk the entire perimeter of the flange. For panel wall construction applications, caulk and seal the top and vertical sides of the vertical blade louver. Be sure that the drainage holes are pointing outward and that a metal channel is used to drain moisture (Figure 119).

Figure 118: Flanged Wall Louver Installation Detail

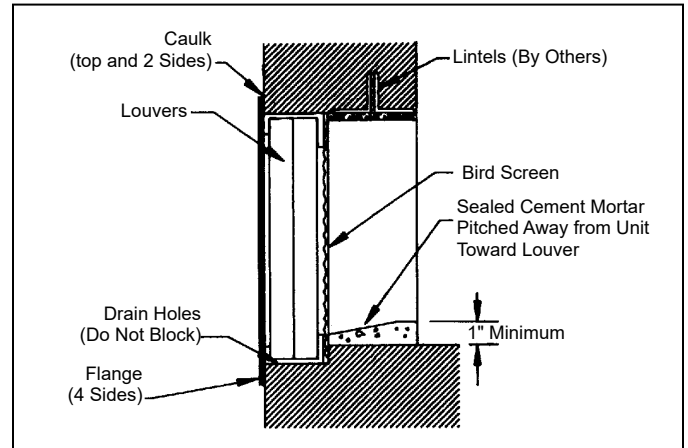
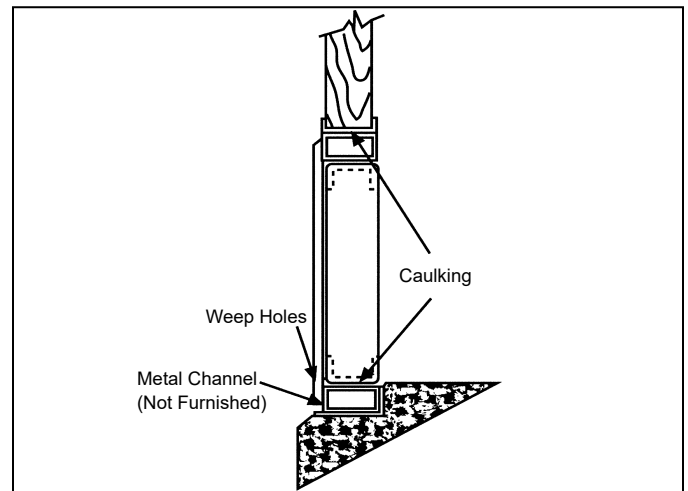


Figure 119: Panel Wall Louver Installation Detail



Lintels

When brickwork is built up to the top of the intake, lintels must be used above the wall louvers. While the wall is still wet, finish the brick on the top, bottom and both sides of the intake opening with 1/2" cement mortar. With the standard location of the wall louver, the bottom of the intake opening must slope from the louver frame up toward the intake opening to a point 1" above the finished base of the unit. This provides a surface against which the gasket at the bottom of the unit ventilator can be placed to help prevent any leakage of outdoor air under the unit.

If a metal sleeve connection is to be used between the unit ventilator and the wall louver, this sleeve must be installed after the unit ventilator is set, making a weather-tight connection to the unit ventilator cabinet. Turn the sleeve over the edge of the louver frame by proper peening before the louver is finally installed.

Interior Considerations

The interior wall surface behind the unit ventilator must be smooth and level. A wall that is slightly out of plumb can cause major problems with outside air leakage into the room and unit. This could cause drafts and potentially freeze coils.

Be certain that no gap is left between the unit and the outside air louver opening. Otherwise, outside air can leak into the room.

A rubberized, self-adhering membrane around the outside air opening can be used to seal any air or water leaks that might result from construction. Provide a seal under the unit to prevent air infiltration. In addition, seal the unit top and side perimeters to prevent unnecessary air infiltration due to uneven walls.

Indoor Air Exhaust Considerations

All outdoor air introduced by the unit ventilator must leave the room in some way. In some states, exhaust vents are required by law. In states where vents are not required by law, a decision must be made about how best to handle this problem.

The venting system chosen should have the ability to exhaust varying amounts of air equal to the amount of outside air introduced by the floor unit ventilator. A constant volume system, such as a powered exhaust, is unable to respond to changing conditions. It will either exhaust too much air, resulting in a negative pressure, which draws in more outdoor air than desired. Or, it will exhaust too little air, resulting in increased positive pressure, which restricts the amount of outside air being brought into the room.

The Daikin VentiMatic Shutter is a more economical solution to the problem. See "[VentiMatic™ Shutter – Room Exhaust Ventilation](#)" on page 30 for information on this system and its proper installation.

VentiMatic Installation

Figure 120: VentiMatic Shutter Components



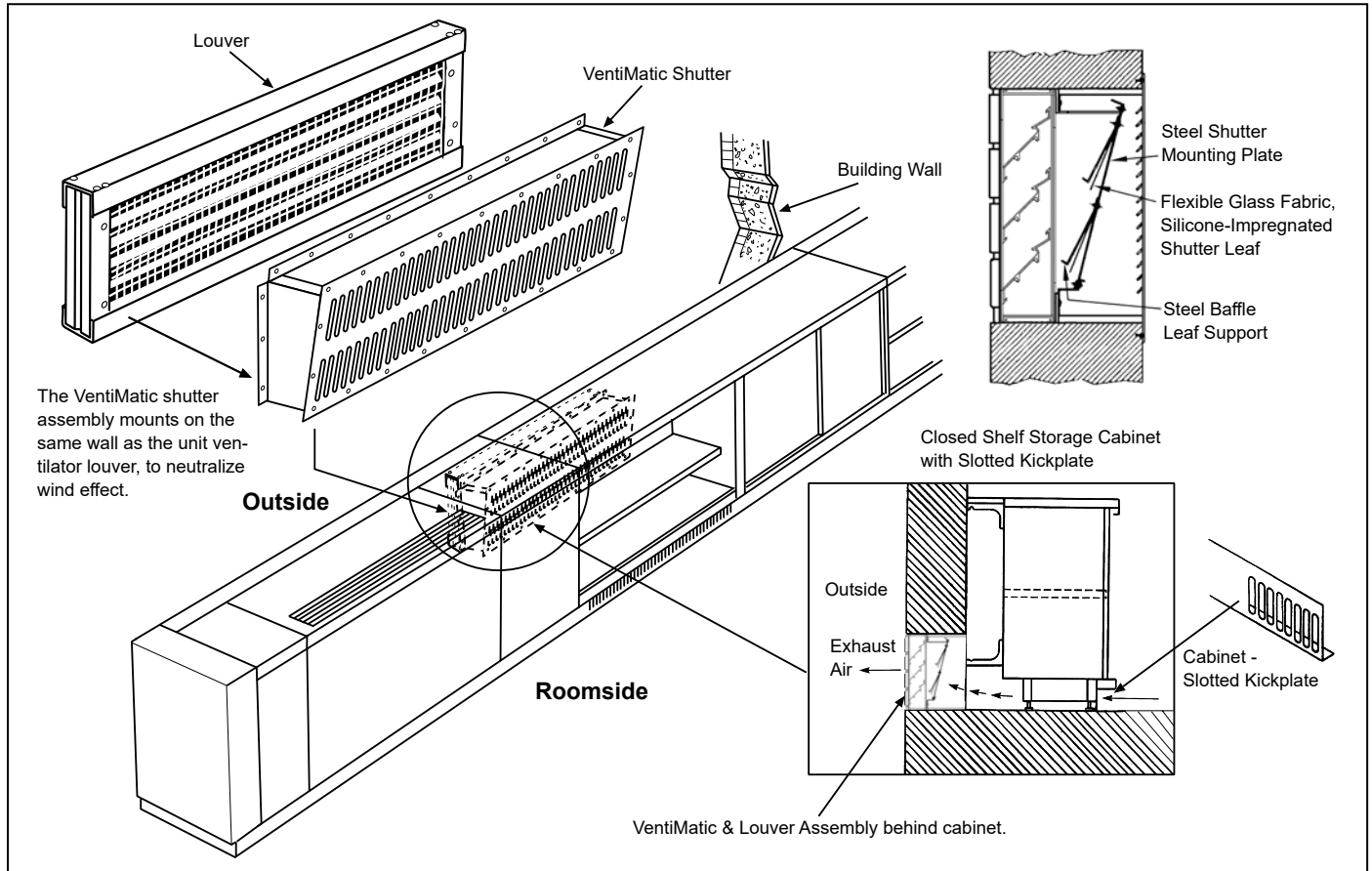
Louver ships assembled as one piece

The VentiMatic Shutter should be mounted on the same wall as the unit ventilator. This neutralizes the effect of wind pressure forcing excess air into the room through the unit ventilator louver. That's because the wind pressure will also keep the VentiMatic Shutter closed and prevent room air from escaping. Since the existing room air cannot leave, excess air from the wind gust will not enter. (In contrast, a powered exhauster would "assist" the wind's effect.) Same-wall mounting also minimizes "short circuiting" of air flow that could occur with opposite-wall mounting.

The VentiMatic Shutter is generally mounted on an Daikin wall louver (ordered separately) which is then used for exhaust ([Figure 121 on page 105](#)). For large unit ventilators, two VentiMatic Shutters may be mounted side by side on the same wall louver to promote adequate exhaust air capacity. The size and appearance of wall louvers and grilles used for unit ventilators and for VentiMatic Shutters are identical and present an architecturally coordinated and pleasing installation.

An ideal method of integrating the VentiMatic Shutter with the unit ventilator is to locate the shutter behind a matching open-shelf or closed-shelf storage cabinet mounted next to the unit ventilator. For example, 48-inch length wall louver can be accommodated behind a 4-foot high storage cabinet. The cabinet should be ordered with a slotted-type kick plate to provide a concealed exhaust air path to the shutter. This combination will enable a complete, integrated, energy-efficient HVAC and room exhaust system. For dimensional information, see "[VentiMatic Shutter Assembly](#)" on page 58.

Figure 121: VentiMatic Shutter Installation



Window Downdraft Protection

Downdrafts can be generated in classrooms or other spaces with relatively large windows during prolonged periods of cold outside temperatures. For comfort during such conditions it is necessary to provide some form of downdraft protection. In installations utilizing unit ventilators, the Daikin “DraftStop” system can be used for this purpose.

Window downdraft protection is recommended for classrooms or other spaces where the following conditions exist:

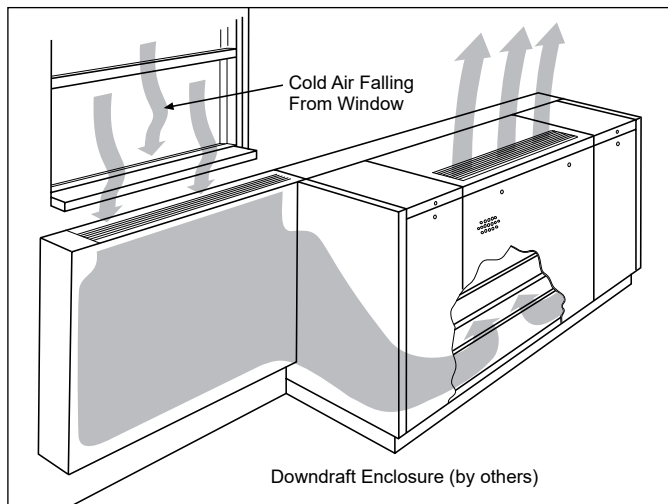
- Window area exceeds 40% of the total outside wall area.
- Single-pane glass is used.
- Outside temperatures are below 35°F for a significant portion of the occupied period.

The need for window downdraft protection will not always be so clear cut. Where uncertainty exists, a further check can be made by calculating the window heat loss at an outdoor temperature of 35°F. If estimated window heat loss exceeds 250 BTUH/ft., window downdraft protection is recommended. If estimated window heat loss is less than 250 BTUH/ft., the need for downdraft protection is marginal but should not be arbitrarily dismissed. The DraftStop system can be employed even in those marginal applications to provide the occupants comfort without the material, installation and operating cost penalty associated with “auxiliary radiation.”

DraftStop System

The Daikin DraftStop System is one of the best systems available to address the downdraft problem. This unique system intercepts falling cold air at the window sill level and draws it to the unit ventilator (Figure 122). Cool air from the windows is drawn into a plenum before it is allowed to reach the occupants. It then enters the unit’s air stream through the room air damper and becomes part of the normal air circulation pattern. This is accomplished by blocking a portion of the return air grille at the front of the unit ventilator, causing the return air to be drawn in through the ends of the unit.

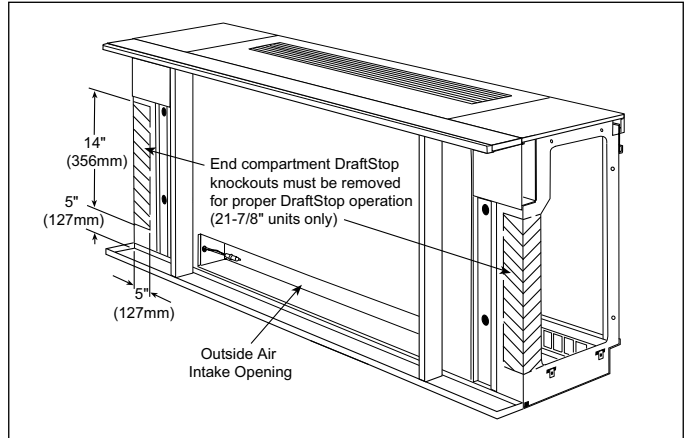
Figure 122: DraftStop Window Downdraft Protection



DraftStop Application

The unit ventilator is ordered with the factory installed Return Air Bottom with DraftStop option to restrict return air flow through the front bottom unit opening and induce air flow through the downdraft return path. The downdraft return path enters through the end compartments of the unit. There are two knockouts on the rear of the unit cabinet (Figure 123) that must be removed to allow proper operation of the DraftStop system.

Figure 123: DraftStop Knockouts



The downdraft grilles are installed in cabinetry or other enclosures mounted along the exterior wall on either side of the unit ventilator. This cabinetry is not provided by Daikin. Either a steel bar inlet grille or a stamped inlet grille is fitted to the top rear of the cabinet, flush with the cabinet top. Daikin recommends a 3" wide grille with lengths as specified in Table 66. Note that the maximum lengths are based on maintaining sufficient velocity through the grille in order to capture the downdraft. If the maximum lengths are exceeded, the system will remain operational, but effectiveness will be reduced. A damper may be provided below the grille to allow for balancing of the downdraft airflow.

Table 66: Downdraft Grille Lengths

Unit Size	Minimum Length Each Side (ft)	Maximum Length Each Side (ft)
07	3'	13'
10	4'	18'
13	5'	22'
15	6'	25'

The unit ventilator may be installed between cabinetry that has a depth equal to the cabinet of the unit, where the downdraft return path is integrated into the rear of the cabinets (Figure 123), or used with dedicated downdraft enclosures (provided by others) as illustrated in Figure 122. Special unit end panels are available with cut-outs to provide a return air path when using dedicated enclosures. These end panels may or may not be used when the unit is installed between cabinetry. Between the grille and unit a minimum free area of 30 square inches should be maintained along the downdraft return air path.

Valve Selection

Face and Bypass End-Of-Cycle Valve Sizing & Piping

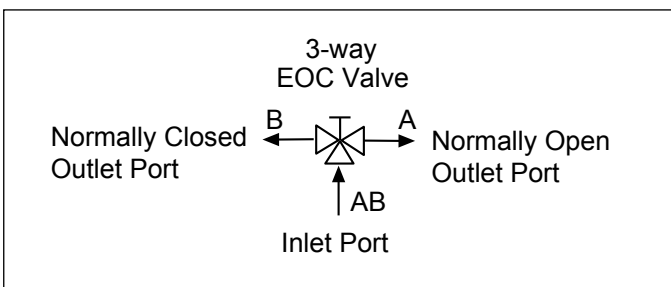
MicroTech face and bypass damper control units require an end-of-cycle (EOC) valve for each hydronic coil. Unlike modulating valves that require precise control over the variable flow rate through the valve, the EOC valves are either full-open or full-closed, and therefore a proper valve Cv selection is not important. Table 67 gives the pressure drops at various water flow rates for the available EOC valves.

Select an EOC valve based on the application and type of coil to be controlled. For hydronic systems with constant flow pumps a 3-way valve is recommended, while 2-way valves are typically used on systems with variable flow pumps. Each hydronic coil in the unit will require its own EOC valve. For hot water or 2-pipe chilled/hot water coils use a normally open valve, and for chilled water coils use a normally closed valve. The 3-way valves can be piped for normally open or normally closed duty (see Figure 124) and it is very important that they are properly installed in the field for the MicroTech control sequence to function correctly. The Normally Open outlet port must be connected to hot water or 2-pipe chilled/hot water coils, and the Normally Closed outlet port must be connected to chilled water coils.

Table 67: Hot and Chilled Water End-Of-Cycle Valve Selection By Pressure Drop

Cv	Connection Size	GPM	Valve Pressure Drop at Listed Water Flow Rate															
			5	6	7	8	9	10	11	12	13	14	15	16	17	18	19	20
			L/s	0.32	0.38	0.44	0.50	0.57	0.63	0.69	0.76	0.82	0.88	0.95	1.01	1.07	1.14	1.20
3-Way Hot or Chilled Water EOC Valve, FNPT																		
5.0	3/4 inch	ft h2o	2.3	3.3	4.5	5.9	7.5	9.2	11.2	13.3	15.6	18.1	20.8	23.6	26.7	29.9	33.3	36.9
		kPa	6.9	9.9	13.5	17.7	22.3	27.6	33.4	39.7	46.6	54.1	62.1	70.6	79.7	89.4	99.6	110.3
2-Way Hot Water EOC Valve, FNPT, Normally Open / 2-Way Chilled Water EOC Valve, FNPT, Normally Closed																		
7.5	3/4 inch	ft h2o	1.0	1.5	2.0	2.6	3.3	4.1	5.0	5.9	6.9	8.0	9.2	10.5	11.9	13.3	14.8	16.4
		kPa	3.1	4.4	6.0	7.8	9.9	12.3	14.8	17.7	20.7	24.0	27.6	31.4	35.4	39.7	44.2	49.0
2-Way Hot Water/Steam EOC Valve, FNPT, Normally Open																		
8.0	1 inch	ft h2o	0.9	1.3	1.8	2.3	2.9	3.6	4.4	5.2	6.1	7.1	8.1	9.2	10.4	11.7	13.0	14.4
		kPa	2.7	3.9	5.3	6.9	8.7	10.8	13.0	15.5	18.2	21.1	24.2	27.6	31.1	34.9	38.9	43.1

Figure 124: 3-Way Valve Piping Connections



Hot Water EOC Valve Piping

Hot water (or chilled water/hot water 2-pipe) EOC valves are furnished normally open to the coil. When the valve is de-energized (off) there is full flow through the coil. Energizing the valve shuts off the water flow.

Figure 125: 2-Way Hot Water EOC Valve Piping

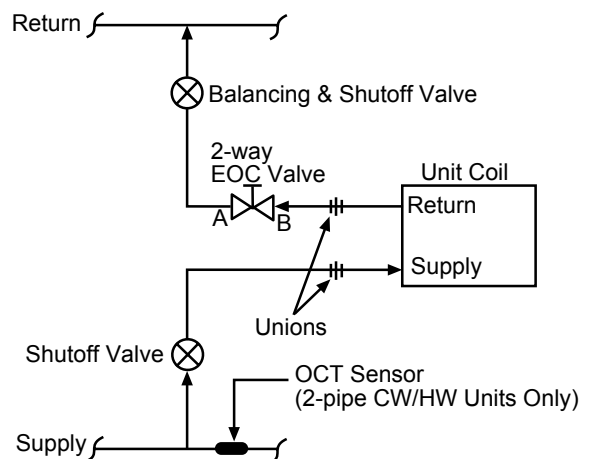


Figure 126: 3-Way Hot Water EOC Valve Piping

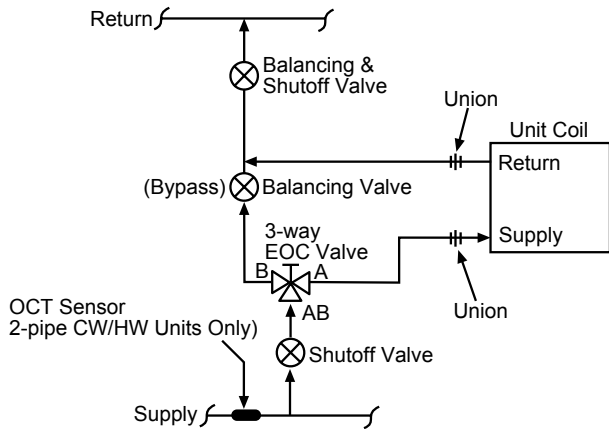
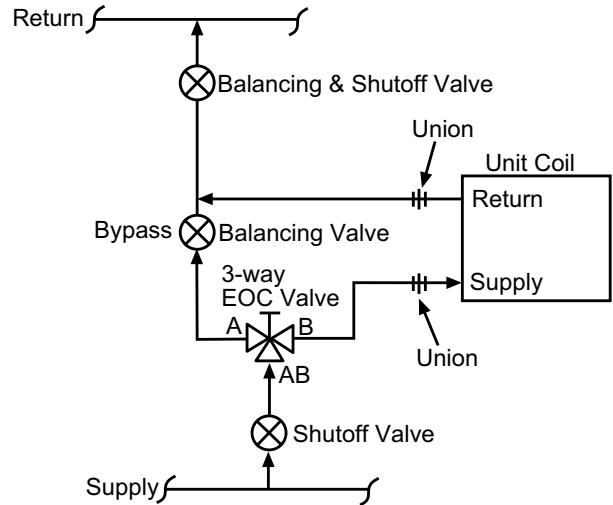


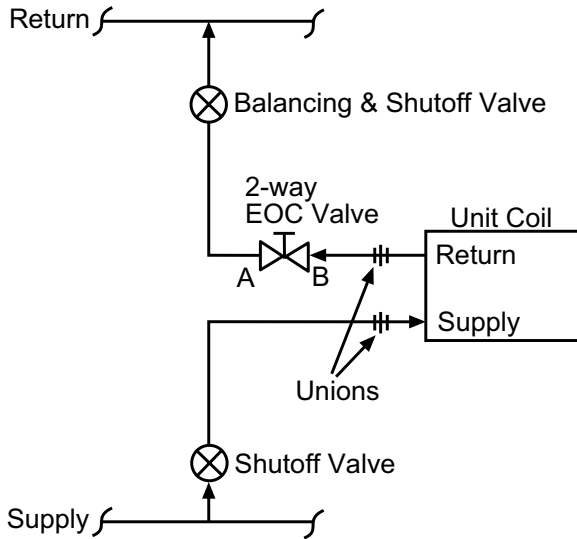
Figure 128: 3-Way Chilled Water EOC Valve Piping



Chilled Water EOC Valve Piping

Chilled water EOC valves are furnished normally closed to the coil. When the valve is de-energized (off) there is no flow through the coil. Energizing the valve allows flow through the coil.

Figure 127: 2-Way Chilled Water EOC Valve Piping



Modulating Valve Sizing & Piping

The unit ventilator control valve is expected to vary the quantity of water that flows through the coil in a modulating fashion. Movement of the valve stem should produce a controlled change in the amount of water that flows through the coil. When control valves are oversized (Cv too high) the flow relative to valve position is not linear. For example, assume that, when the control valve is fully open, the pressure drop through the coil is twice as great as the drop through the valve. In this case, the control valve must travel to approximately 50% closed before it can begin to have any influence on the water flow through the coil. The control system, no matter how sophisticated, cannot overcome this. Oversized control valves can also result in hunting which will shorten the life of the valve and actuator and possibly damage the coil. Undersized (Cv too low) control valves will accurately control the flow but will have a very high pressure drop through the valve.

To correctly select the modulating valve:

1. Determine the flow of water and the corresponding pressure drop through the coil.
2. Obtain the pressure difference between the supply and return mains.
3. Select a valve (Cv) from [Table 68](#) or [Table 69](#) on the basis of taking 50% of the available pressure difference (at design flow) between the supply and return mains at the valve location. The valve should have a pressure drop greater than that of the coil. Whenever possible there should be at least 11 feet of water (5psi) (32.9 kPa) pressure drop across the valve.

Modulating valves for water applications can be either 2-way or 3-way. Refer to the modulating valve label to determine the direction of flow. The modulating valve must be installed on the unit for which it was selected.

The modulating valve furnished for steam applications is a 2-way, normally open to the coil configuration (see "[Steam Valve Sizing & Piping](#)" on page 111 for application).

Table 68: 2-Way Modulating Valve - Pressure Drop

2-Way CCV Part No.	Cv Maximum Rating	Connection Size	Pressure Drop Across the Valve									
			1 PSI	2 PSI	3 PSI	4 PSI	5 PSI	6 PSI	7 PSI	8 PSI	9 PSI	10 PSI
B209	0.8	1/2 inch	0.8	1.1	1.4	1.6	1.8	2.0	2.1	2.3	2.4	2.5
B210	1.2		1.2	1.7	2.1	2.4	2.8	2.9	3.2	3.4	3.6	3.8
B211	1.9		1.9	2.7	3.3	3.8	4.2	4.7	5.0	5.4	5.7	6.0
B212	3.0		3.0	4.2	5.2	6.0	6.8	7.3	7.9	8.5	9.0	9.5
B213	4.7		4.7	6.6	8.1	9.4	11	12	12	13	14	15
B214	7.4		7.4	10	13	15	17	18	20	21	22	23

Table 69: Modulating 3-Way Hot Water, Chilled Water or 2-Pipe CW/HW Valve - Pressure Drop

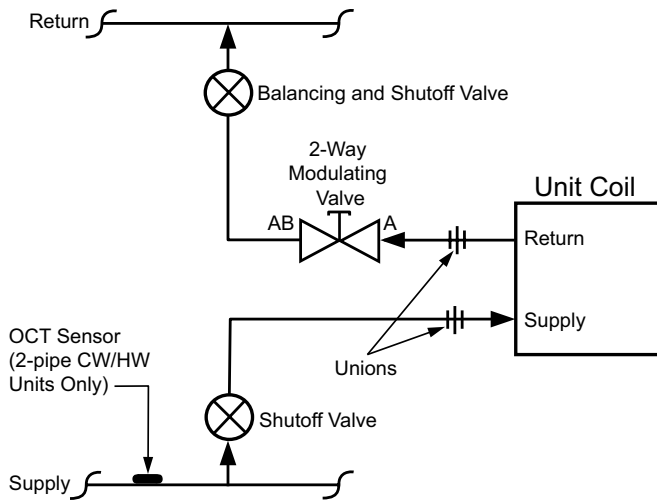
2-Way CCV Part No.	Cv Maximum Rating	Connection Size	Pressure Drop Across the Valve									
			1 PSI	2 PSI	3 PSI	4 PSI	5 PSI	6 PSI	7 PSI	8 PSI	9 PSI	10 PSI
B309(B)	0.8	1/2 inch	0.8	1.	1.4	1.6	1.8	2.0	2.	2.3	2.4	2.5
B310(B)	1.2		1.2	1.7	2.	2.4	2.8	2.9	3.2	3.4	3.6	3.8
B311(B)	1.9		1.9	2.7	3.3	3.8	4.2	4.7	5.0	5.4	5.7	6.0
B312(B)	3.0		3.0	4.2	5.2	6.0	6.8	7.3	7.9	8.5	9.0	9.5
B313(B)	4.7		4.7	6.6	8.1	9.4	11	12	12	13	14	15
B318(B)	7.4		7.4	10	13	15	17	18	20	21	22	23

Hot Water Modulating Valve Piping

Modulating hot water (or 2-pipe CW/HW) valve is furnished to fail open to the coil. 24VAC is required to power the valve actuator. When the actuator is powered, a controller will provide a 2-10VDC signal to the actuator. A signal of 2VDC or less will drive the valve closed; the valve will drive open as the signal increases to a maximum of 10VDC.

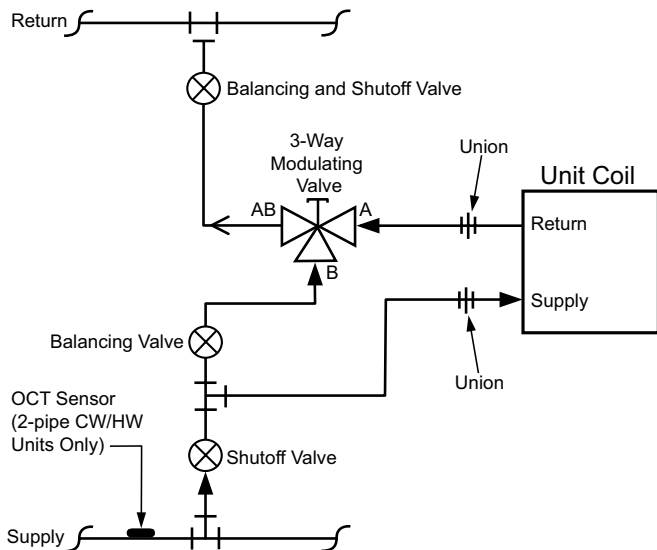
If 24VAC is lost to the actuator, valve will spring-return to its fail position (open to the coil for hot water or 2-pipe CW/HW valves).

Figure 129: 2-Way Hot Water Modulating Valve Piping



Note: Actuator to be configured for A port to be normally open.

Figure 130: 3-Way Hot Water Modulating Valve Piping



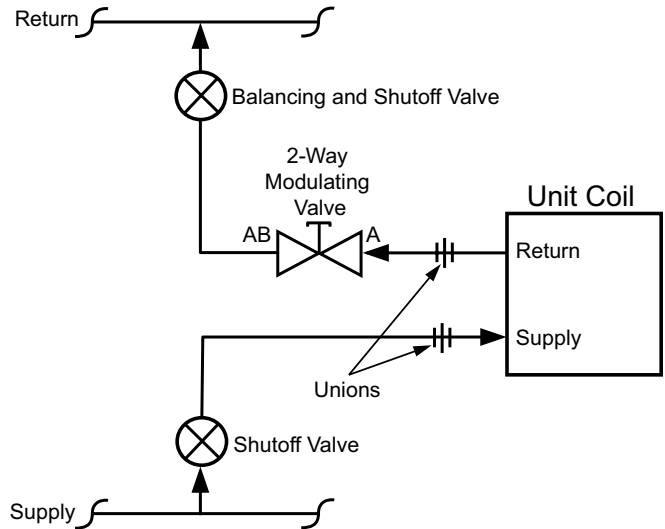
Note: The A port is always piped to the coil. Actuator to be configured for A port to be Normally Open.

Chilled Water Modulating Valve Piping

Modulating chilled water valve is furnished to fail closed to the coil. 24VAC is required to power the valve actuator. When the actuator is powered, a controller will provide a 2-10VDC signal to the actuator. A signal of 2VDC or less will drive the valve closed; the valve will drive open as the signal increases to a maximum of 10VDC.

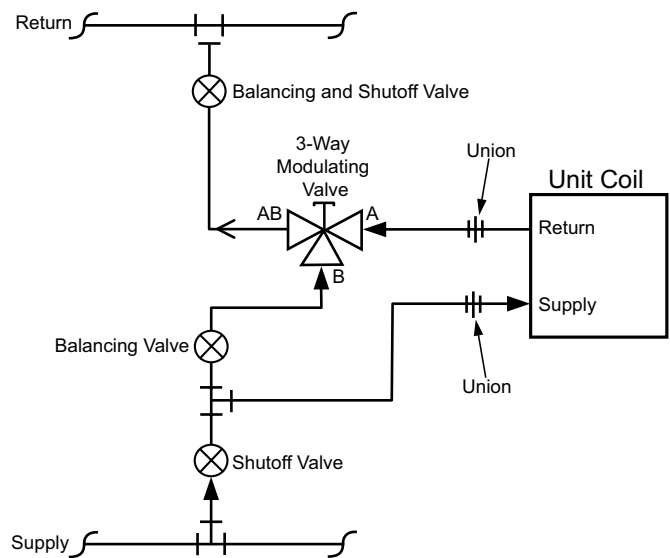
If 24VAC is lost to the actuator, valve will spring-return to its fail position (closed to the coil for chilled water valves).

Figure 131: 2-Way Chilled Water Modulating Valve Piping



Note: Actuator to be configured for A port to be normally closed.

Figure 132: 3-Way Chilled Water Modulating Valve Piping



Note: The A port is always piped to the coil. Actuator to be configured for A port to be Normally Closed.

Steam Valve Sizing & Piping

End-Of-Cycle Steam Valve Selection

End-of-cycle, steam valves are either full-open or full-closed. To select an end-of-cycle steam valve:

1. Obtain the supply steam inlet pressure.
2. Determine the actual heat requirement of the space to be heated.
3. Select a steam valve (Cv) based on taking 10% of the inlet steam pressure. For example, for a system with an inlet pressure of 2 psig, the valve should be sized based on a 0.2 psig pressure drop. The valve must have a capacity greater than or equal to that of the space to be heated.

Table 70 gives the steam capacity based on a pressure drop equal to 10% of the inlet pressure.

Table 70: EOC Steam Valve Selection

Cv	Connection Size	psig	1	2	3	4	5	6
		kPa	6.9	13.8	20.7	27.6	34.5	41.4
EOC Steam Valve Selection								
8.00	1 inch	MBh	34.3	50.0	63.0	74.7	85.6	96.0
		Watts	10065	14660	18461	21886	25090	28148

¹ Based on 1150 BTU/lb of steam

Modulating Steam Valve Selection

The steam modulating control valve is expected to vary the quantity of steam through the coil. Any movement of the valve stem should produce some change in the steam flow rate. To select a modulating steam valve:

1. Obtain the supply steam inlet pressure.
2. Determine the actual heat requirement of the space to be heated.
3. Select a valve (Cv) from Table 71, which gives the capacity range based on a 60% pressure drop at the low end of the range and 100% pressure drop at the high end of the range.

For example: With 2 psig (13.8 kPa) inlet pressure, the valve with port code 4, in the full open position, would have a 1.2 psig (8.3 kPa) pressure drop (60% of 2 psig) at 65 MBh (19,189 watts) and a 2 psig pressure drop at 82 MBh (24,125 watts). The valve should have a capacity less than or equal to the space to be heated.

Table 71: 2-Way Modulating Steam Valve – Pressure Drop

2-Way CCV Part No.	Cv Maximum Rating	Connection Size	Pressure Drop Across the Valve					
			2 PSI	3 PSI	4 PSI	5 PSI	10 PSI	15 PSI
B215HT073	0.73	1/2"	10.99	13.71	16.11	18.33	28.03	36.74
B215HT186	1.86		22.34	34.93	41.06	46.70	71.42	93.60
B215HT455	4.55		54.65	85.44	100.43	114.24	174.72	228.97
B220HT731	7.31	3/4 inch	110.02	137.27	161.36	183.54	280.70	367.86

Steam Valve Piping

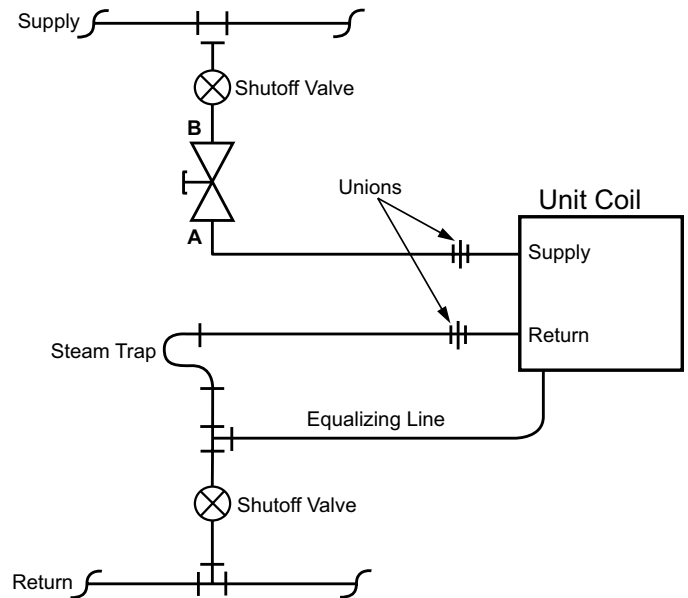
End-of-cycle (EOC) and modulating valves for steam applications are 2-way, fail-open (on loss of 24v power), angle pattern valves. Energizing the EOC valve shuts off the flow of steam to the coil. For modulating valves, a signal of 2VDC or less will drive the valve closed; the valve will drive open as the signal increases to a maximum of 10VDC.

If 24VAC is lost to the actuator, valve will spring-return to its fail position (open to the coil for steam valves). Refer to the steam valve label to determine the direction of flow. The steam valve must be installed on the unit for which it was selected.

All valves are shipped loose to help prevent shipping damage and to provide the installing contractor with maximum flexibility in making the field piping connection. The valves are field piped by others. They are factory wired for field hook-up.

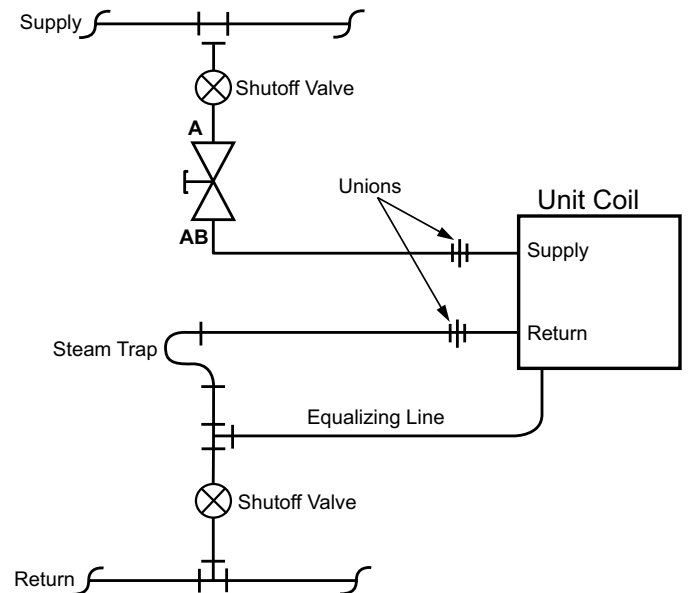
- Notes:**
1. Refer to the label furnished on 2-way valves to determine direction of flow through the valve.
 2. The control valve must be installed on the unit in which it was shipped. Indiscriminate mixing of valves among units can result in valves not properly sized for the desired flow rate.
 3. The control valve should be installed so that there is 2" (51mm) minimum clearance to remove the actuator from the valve body. Provide unions for the removal of the unit coil and/or control valve. This is a future service consideration.

Figure 133: 2-Way Steam End of Cycle Valve Piping



Note: For Erie EOC steam valves, always have the direction of steam flow piped to the **B** port of the valve. Actuator to be configured for **B** port to be normally open.

Figure 134: 2-Way Steam Modulating Valve Piping



Note: For Belimo steam valves, always have the direction of steam flow piped to the **A** port of the valve. Actuator to be configured for **A** port to be normally open.

Daikin Applied Unit Ventilator – Model AV Guide Specifications

General

Furnish and install where shown on plans, a complete unit ventilator with capacities, airflow, and configuration as listed on unit schedule.

Unit Construction

All internal sheet metal parts must be made of galvanized steel to inhibit corrosion. The entire frame must be welded construction to provide strength and rigidity. Hidden reinforced top panel support shall be integral with the frame and support the fan assembly. Frames assembled with sheet metal fasteners shall not be acceptable. Unit shall be of a draw-thru design. Blow-thru design is not acceptable. Unit shall have a built-in metal wire raceway from one end compartment to the other.

Cabinets

Exterior cabinet panels shall be constructed of heavy-gauge steel. All sheet metal panels must be cleaned and phosphatized, then painted electrostatically with an oven baked environmentally friendly thermosetting urethane powder finish.

Floor Units

Floor mounted units shall have an integral pipe tunnel for convenient crossover of piping or electrical wiring in accordance with local and National Electric Codes (N.E.C.). The front surface shall consist of three separate, removable panels easily handled by one person. Control compartment must be accessible without removing the entire front panel. Unit top shall have two access doors (one at each end) for access to motor and bearings. Unit discharge grille shall be welded continuous bar type with round edged steel bars placed for a 10° vertical deflection. [A 1/4" painted galvanized mesh shall be furnished and located beneath discharge grille.] Unit top surface shall be supplied with a textured non-glare paint surface that resists scuffing and hides fingerprints. Units shall come with front adjustable leg levelers. End panels shall ship separately, individually wrapped in plastic and boxed to prevent damage during construction.

Room Air Fans And Motor

The unit fan and motor assembly shall be of a modular construction so that it is removable from the top for service, maintenance and access to the coil section for cleaning. The motor and fan assembly shall be low speed design to assure maximum quietness and efficiency. Fans shall be double inlet, forward curved centrifugal type with offset aerodynamic blades. Assembly shall be statically and dynamically balanced. Fan housings shall be steel construction, incorporating logarithmic expansion for quieter operation. Fan shaft shall be 1-1/4" diameter hollow steel with 1-1/4" end bearing. Fan and motor assembly shall be direct drive type. Motor speed shall be controlled by factory mounted multi-tap transformer for High-Medium-Low-Off speeds. Fan/coil arrangement shall be draw-thru design for

uniform coil face velocity and discharge air temperature. Motors shall be 115/60/1 NEMA permanent split capacitor (PSC), or [Optional] Electrically Commutated (ECM) plug-in type designed specifically for unit ventilator operation. PSC motor speed shall be controlled by factory mounted multi-tap transformer for High-Medium-Low-Off speeds. [Optional] EC motor shall be controlled by discrete speed taps for High-Medium-Low-Off speeds. [Optional] EC motor with variable airflow control shall vary fan speed to deliver 50%-100% nominal unit airflow based on 0-10vdc input signal. Motors shall be located out of the airstream and have an internal thermal overload device (auto reset). Fan motors and controls shall have each hot line protected by factory installed cartridge type fuse(s). Motors shall have permanently lubricated bearings. Fan shaft may have sleeve type bearing that requires oiling no more than once annually. Units requiring oiling will have an oil cap accessed from the left-side end compartment (or on the middle of the fan shaft on size 1500cfm and larger). Some units are built with permanently sealed bearings that do not require oiling. Check for oil cap to determine which bearing type is present. Units shall have shaft bearing located out of the air stream. Bearings in the airstream are not acceptable.

Face And Bypass Damper

Each unit shall be provided with a factory-installed face and bypass damper, constructed of aluminum. The long sealing surfaces of the damper shall seal positively against stops fitted with extruded EPDM rubber seals. Face and bypass damper stops not fitted with seals shall not be acceptable. The damper ends shall have blended mohair seals glued along the ends for a positive seal. Plastic clip-on brush end seals will not be acceptable. The unit design shall incorporate the face and bypass damper to prevent coil surface wiping and be before the fan in a draw through configuration. Face and bypass damper positioned in the direct discharge of the room fan is not acceptable. The face and bypass damper shall be arranged so a dead air space results between the coil and the damper in a full bypass condition to minimize heat pick up.

Outdoor And Room Air Dampers

Each unit shall be provided with separate room air and outdoor air dampers. The room air damper shall be constructed of aluminum using metal-forming techniques to resist twisting and shall be counterbalanced against back pressure. Outdoor air damper shall be two-piece double-wall construction with 1/2" thick, 1.5 lbs. density fiberglass insulation encapsulated between welded 20 ga. galvanized steel blades for rigidity and to inhibit corrosion, and have additional insulation on the exterior surfaces of the damper blade and on the ends of the outdoor air chamber. Dampers shall be fitted with mohair seals along all the sealing edges. Dampers shall use turned-metal principle on long closing ends with no metal-to-metal contact. No plastic or rubber gaskets shall be acceptable. Damper bearings shall be made of nylon or other material which does not require lubrication.

Drain Pan

All units shall have a drain pan constructed of corrosion-resistant galvanized steel and shall be insulated. A drain outlet shall be provided on both ends of the pan. The drain hand of connection shall be easily field-reversed to the opposite end. The drain pan shall be able to be sloped in either direction for proper condensate removal. Drain shall be provided with an optional secondary, overflow drain connection on both ends of the pan. [Option: Drain pan shall be constructed of stainless steel.]

Agency Listing

Unit ventilators shall be listed by Underwriters Laboratories Inc. (U.L.) for the United States and Canada. Unit ventilation rate to be certified and tested per Air Conditioning, Heating and Refrigeration Institute (AHRI) standard 840. All units with chilled water coils shall be AHRI certified for performance. Motors shall conform to the latest applicable requirements of NEMA, IEEE, ANSI, and NEC standards.

Coils

All hydronic coils shall be constructed with copper tubes and mechanically bonded aluminum corrugated plate fins. All coils shall have aluminum individual un-shared fin surfaces. An air brake shall exist between coils. Water coils shall be furnished with a threaded drain plug at the lowest point. A manual air vent shall be provided at the high point of the coil. Steam coils shall be double tube, steam distributing freeze-resistant type. Steam coils shall be furnished with a factory installed pressure equalizing device (vacuum breaker) to prevent the retention of condensate in the coil. Tubing shall be provided for field connection to the return line beyond the trap. Direct expansion coils (DX) – all DX coils must be supplied with factory-installed thermal expansion valve and a DX low temperature limit. This expansion valve must be sized for the manufacturer's matching remote condensing unit. Electric heat coils shall be open wire. Cal rods inserted into a tube shall not be acceptable.

Filters

Filter shall be one-piece design located to provide filtration of the outdoor air/return air mixture to assure even dust loading and balanced airflow in lieu of separate filters for outdoor air and return. [Throwaway filter (all except electric heat)] [wire, mesh, permanent filter (electric heat units)] shall be factory furnished initially installed in all units.

[Option: Furnish _____ extra set(s) of throwaway filters.]

[Option: Furnish one set of wire mesh permanent filters as final filter.]

[Option: Furnish one set of renewable (structural painted metal frame with glass fiber media) filters as final filter.]

Condensing Units

Condensing unit sizes shall be specifically matched to the unit ventilator size. The remote condensing unit shall be U.L. listed with brass service valves, internal high pressure control, low ambient air temperature thermostat. Sweat type tubing connections shall be furnished. The installing contractor shall provide interconnecting copper tubing of the size recommended by the condenser manufacturer. The installing contractor shall charge the system with refrigerant in accordance with the manufacturer's instructions.

Temperature Controls

Each unit ventilator shall be furnished with a factory installed and wired, microprocessor based DDC Unit Ventilator Controller (UVC), by the manufacturer of the unit ventilator, which is pre-programmed, factory pre-tested prior to shipment and capable of complete, standalone unit control, client-server arrangement or incorporation into a building-wide network using an optional plug-in communication module. The UVC shall be pre-programmed with the application code required to operate the unit using ASHRAE Cycle II. The unit control system shall include all required temperature sensors, input/output boards, main microprocessor modules, optional Local User Interface (referred to as LUI), Touch Pad with Digital LED display, wiring, 24 volt power and direct coupled damper actuators. The UVC shall support up to 16 analog inputs, 8 binary inputs, 4 analog outputs, 2 PWM outputs, and 14 binary inputs.

Network System

1. The unit control system shall perform all unit control functions, unit diagnostics and safeties. The unit shall operate in the standalone or network capable mode of operation. Standalone units to have on-board BACnet MS/TP communication built in. Field furnished and installed controls shall not be allowed. When network capable, network communication module shall be factory installed, tested and able to communicate via plug-in communication module that connect directly to the UVC using:
 - a. BACnet Client-Server/Token Passing (MS/TP) allowing the UVC to inter-operate with systems that use the BACnet (MS/TP) protocol with a conformance level of 3 meeting the requirements of ANSI/ASHRAE 135- 2008 standard for BACnet systems.
 - b. LONMARK space comfort control that supports the LONMARK SCC profile number 8500-10 allowing LONWORKS network communication capability to the UVC.
2. Unit controls shall allow for monitoring and adjustment via Daikin ServiceTools using a PC with Windows® 7 or newer operating systems. When using this PC and software, the unit shall be capable of reacting to commands for changes in control sequence and set points.

Room Temperature Sensor

All units shall come equipped with a factory mounted room temperature sensor located in a sampling chamber (front, center panel) where room air is continuously drawn through for fast response to temperature changes in the room. The room temperature sensor shall;

(SELECT one):

- a. be unit mounted.
- b. be an optional wall mounted temperature sensor, with integral tenant override capability

Wall Mounted Sensor with Tenant Override

A thermistor type temperature sensor with integral tenant override and status LED shall be furnished with the unit ventilators.

SELECT one:

- a. 6-button digital display sensor to show room temperature, fan speed (Auto/High/Medium/Low), system mode (Heat/Cool/Auto/Off), alarm, override and occupancy.
- b. 4-button digital display sensor with temperature display indicates, alarm, override and occupancy.
- c. The basic room sensor with adjustment (cool to warm) is used in conjunction with MicroTech equipped units. The sensor has an output for temperature, and LED status indication and includes an override reset button.
- d. The basic room sensor is used in conjunction with MicroTech equipped units. The sensor has an output for temperature, and LED status indication and includes an override reset button.

Night Controls

Night set-back/set-up control shall be provided by (SELECT one):

- a. An internal daily schedule provides two occupied times and two unoccupied times for each of the seven days of the week and one set for holidays. The operator may select the month and date when the holiday schedule is used by selecting a start date and the number of days to run for up to sixteen periods.
- b. The network DDC control system.

External Signal Connections

The unit shall have three (3) multi-pin External Signal Connection Plugs factory provided and pre-wired with short wire whips that are capped for field wiring of:

- a. Remote Wall Mounted Temperature Sensor.
- b. External Input Signals (by others) availability dependent upon unit configuration: unoccupied, remote shutdown, ventilation lockout, dew point/ humidity, or exhaust interlock signals.

- c. External Output Options (by others) availability dependent upon unit configuration: motorized water valve open/close, fault indication signal, pump re-start, exhaust fan on/off or auxiliary heat signal.

[Accessory] Outdoor Air Intake Louver

Intake louvers shall be in the quantity and size shown on the plans and specifications, and as manufactured by Daikin Applied.

[Accessory] Horizontal Blade Aluminum Louver

Aluminum masonry louver shall be constructed with horizontal chevron-type, heavy-gauge aluminum blades and aluminum frame. The standard aluminum alloy shall be suitable for color anodizing (by others) or for factory painting. Weep holes shall be provided in the louver frame. A diamond pattern mesh screen shall be furnished on the interior side of the louver. Expanded metal is not acceptable. Louver shall be fabricated of mill finish 6063-T6 aluminum. [Optional: Louver shall be (1) aluminum with clear anodized finish (2) aluminum with an oven-baked powder paint finish. (3) unpainted.]

[Accessory] Vertical Blade Louver

Vertical blade aluminum louver shall be constructed with double-break, aluminum blades for mounting in panel wall or masonry wall applications. The louver frame shall be heavy-gauge aluminum, 2.14" deep in direction of airflow, and have weep holes along face of bottom edge. The standard aluminum alloy shall be suitable for color anodizing (by others) or for factory painting. A diamond pattern mesh screen shall be provided on the interior side of the louver. Louver shall be fabricated of mill finish 6063-T6 aluminum. [Optional: Louver shall be (1) aluminum with clear anodized finish (2) aluminum with an oven-baked powder paint finish (3) unpainted. A four-sided flange shall be provided around perimeter of intake of same material and finish as louver.]

[Accessory] Grille

Decorative aluminum intake grille shall be constructed of heavy-gauge 6063-T6 extruded aluminum with square holes to match the louver opening, maximizing the air opening. The grille shall come with holes for mounting to building exteriors. The standard extruded 6063-T6 aluminum shall be suitable for color anodizing (by others) or for factory painting.



Daikin Applied Training and Development

Now that you have made an investment in modern, efficient Daikin equipment, its care should be a high priority. For training information on all Daikin HVAC products, please visit us at www.DaikinApplied.com and click on Training, or call 540-248-9646 and ask for the Training Department.

Warranty

All Daikin equipment is sold pursuant to its standard terms and conditions of sale, including Limited Product Warranty. Consult your local Daikin Applied representative for warranty details. Refer to Form 933-430285Y. To find your local Daikin Applied representative, go to www.DaikinApplied.com.

Aftermarket Services

To find your local parts office, visit www.DaikinApplied.com or call 800-37PARTS (800-377-2787).

To find your local service office, visit www.DaikinApplied.com or call 800-432-1342.

This document contains the most current product information as of this printing. For the most up-to-date product information, please go to www.DaikinApplied.com.

Products manufactured in an ISO Certified Facility.