



## Installation and Maintenance Manual

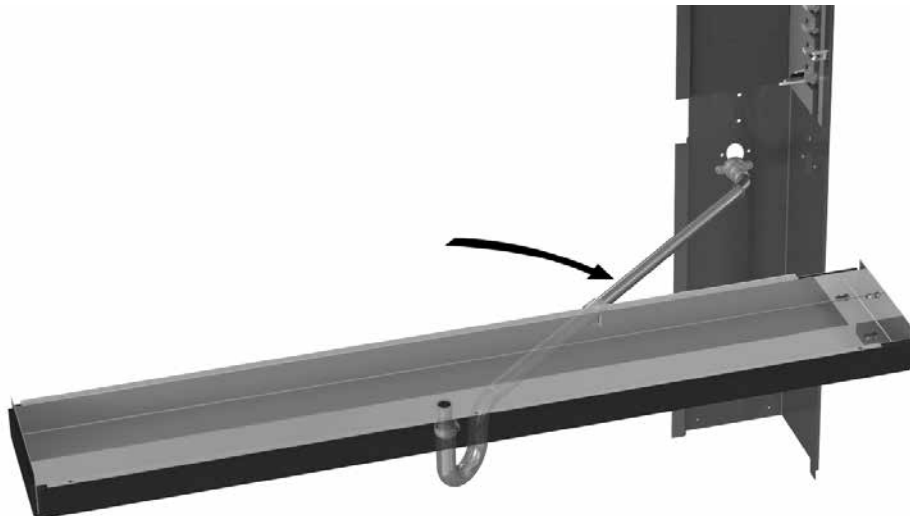
**IM 1317**

Group: **WSHP**

Part Number: **910339002**

Date: **January 2021**

## Alternate Condensate Drain Location



# Alternate Condensate Drain

## Location

The Alternate Condensate Drain accessory kit allows the condensate drain connection to be moved from the right rear corner post to the front left corner post.

## Included Parts:

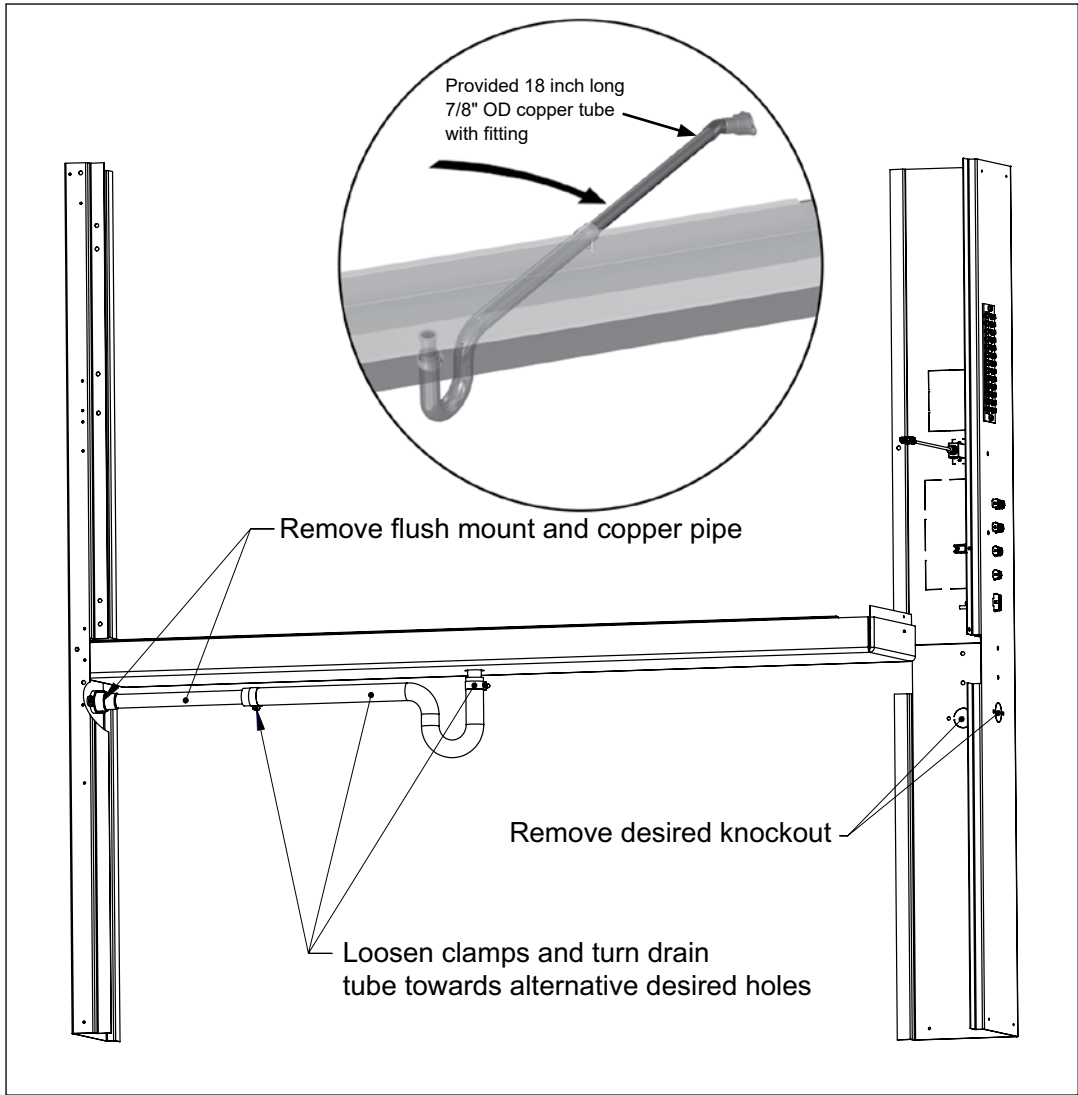
- 18" long 7/8" OD copper tube with fitting
- Hose clamp

## Installation

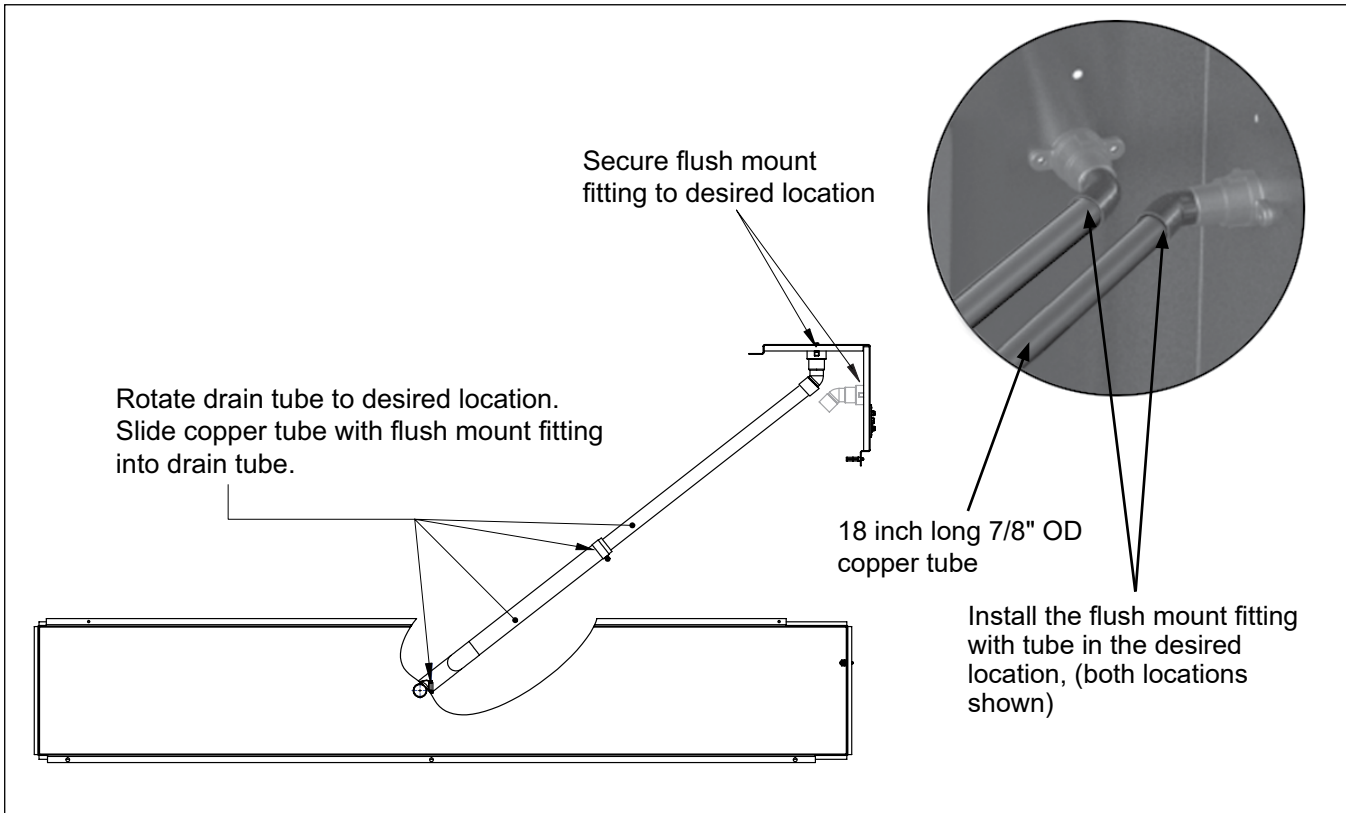
- Remove flush mount fitting and copper tube as shown in [Figure 1](#). Save the fitting, the tube will be replaced with the provided 18" long x 7/8" OD copper tube and flush mount fitting.

- Loosen clamps on factory installed hose and turn drain tube toward alternate drain location.
- Remove desired knockout location on front or side of front left corner post.
- Install the new copper tube with fitting into the drain tube.
- Secure the flush mount fitting and tube into the new location and tighten the hose clamp at the drain tube.

**Figure 1: Remove flush mount fitting and copper tube**



**Figure 2: Install the flush mount fitting with tube in the desired location.**





### ***Daikin Applied Training and Development***

Now that you have made an investment in modern, efficient Daikin equipment, its care should be a high priority. For training information on all Daikin HVAC products, please visit us at [www.DaikinApplied.com](http://www.DaikinApplied.com) and click on Training, or call 540-248-9646 and ask for the Training Department.

### ***Warranty***

All Daikin equipment is sold pursuant to its standard terms and conditions of sale, including Limited Product Warranty. Consult your local Daikin Applied representative for warranty details. Refer to Form 933-430285Y. To find your local Daikin Applied representative, go to [www.DaikinApplied.com](http://www.DaikinApplied.com).

### ***Aftermarket Services***

To find your local parts office, visit [www.DaikinApplied.com](http://www.DaikinApplied.com) or call 800-37PARTS (800-377-2787).

To find your local service office, visit [www.DaikinApplied.com](http://www.DaikinApplied.com) or call 800-432-1342.

This document contains the most current product information as of this printing. For the most up-to-date product information, please go to [www.DaikinApplied.com](http://www.DaikinApplied.com).

Products manufactured in an ISO Certified Facility.