

LUI INSTALLATION KIT (OPTION)

FOR CLASSROOM UNIT VENTILATORS WITH MICROTECH® CONTROLLER



- USED WITH THE FOLLOWING MODELS:
- AVS, AVV, AVB, AVR - KIT P/N 669484501
- AHF, AHB, AHV, AHR - KIT P/N 669484502
- AZQ, AZU, AZR, AEQ, ARQ, GRQ - KIT P/N 669484503

Safety Information **3**
 Hazard Identification 3

Installation **4**
 For Models AV 4
 For Models AH 4
 For Models AZ, AE, AR, & GR. 5

©2024 Daikin Applied, Minneapolis, MN. All rights reserved throughout the world. This document contains the most current product information as of this printing. Daikin Applied Americas Inc. has the right to change the information, design, and construction of the product represented within the document without prior notice. For the most up-to-date product information, please go to www.DaikinApplied.com.

TM@ MicroTech, SiteLine, and Daikin Applied are trademarks or registered trademarks of Daikin Applied Americas Inc. The following are trademarks or registered trademarks of their respective companies: BACnet from American Society of Heating, Refrigerating and Air-Conditioning Engineers, Inc.; Echelon, LonWorks, LonMark, and LonTalk from Echelon Corporation; Modbus from Schneider Electric; and Windows from Microsoft Corporation.

Safety Information

Hazard Identification

 DANGER

Danger indicates a hazardous situation, which will result in death or serious injury if not avoided.

 WARNING

Warning indicates a potentially hazardous situations, which can result in property damage, personal injury, or death if not avoided.

 CAUTION

Caution indicates a potentially hazardous situations, which can result in minor injury or equipment damage if not avoided.

NOTICE

Notice indicates practices not related to physical injury.

NOTE: Indicates important details or clarifying statements for information presented in Figures or Tables.

This manual provides installation and maintenance information for a Daikin Applied LUI INSTALLATION KIT for classroom unit ventilators with a MicroTech® controller.

Installation

DANGER
 Disconnect all electrical power before servicing unit. Electrical shock will cause severe injury or death.

CAUTION
 Static sensitive components. A static discharge while handling electronic circuit boards can cause damage to the components. Discharge any static electrical charge by touching the bare metal inside the main control panel before performing any service work. Never unplug any cables, circuit board terminal blocks, relay modules, or power plugs while power is applied to the panel.

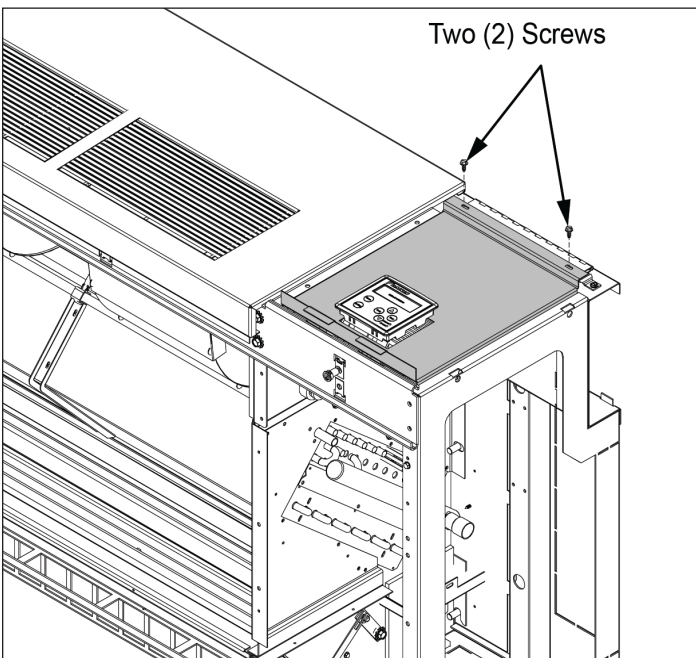
NOTICE
 Refer to the appropriate unit model for LUI installation.

For Models AV

Kit Part No. 669484501

1. Open top-right access door.
2. Snap LUI into the cutout in the kit metal panel.
3. Slide panel tabs into slots on unit and secure metal panel with the two (2) screws (Figure 1).
4. Route the LUI wire ribbon and connectors through the grommeted cutout in the top of the control box and plug the wire ribbon connectors into the unit control board labeled H17 and H15. See Figure 8 on page 6 for plug connector locations on control board.

Figure 1: Install LUI into Cutout in Kit Metal Panel and Secure Panel with Two (2) Screws

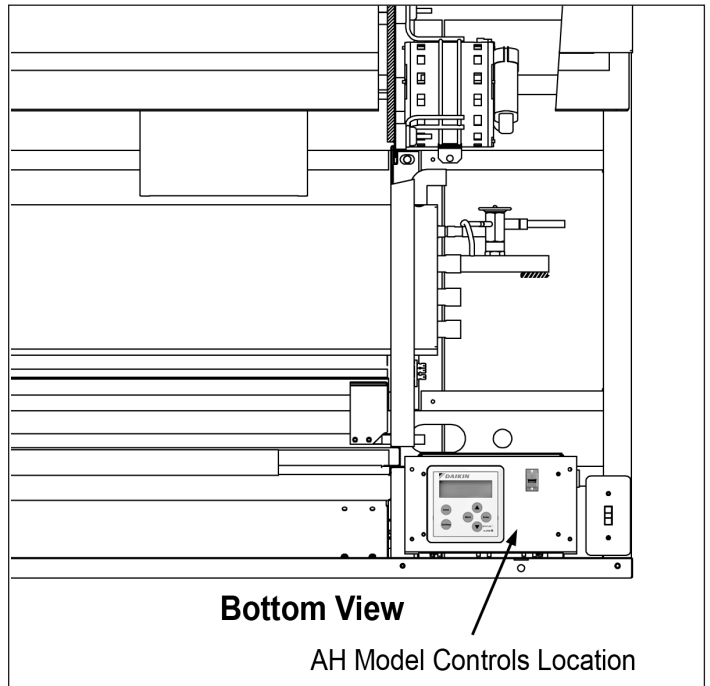


For Models AH

Kit Part No. 669484502

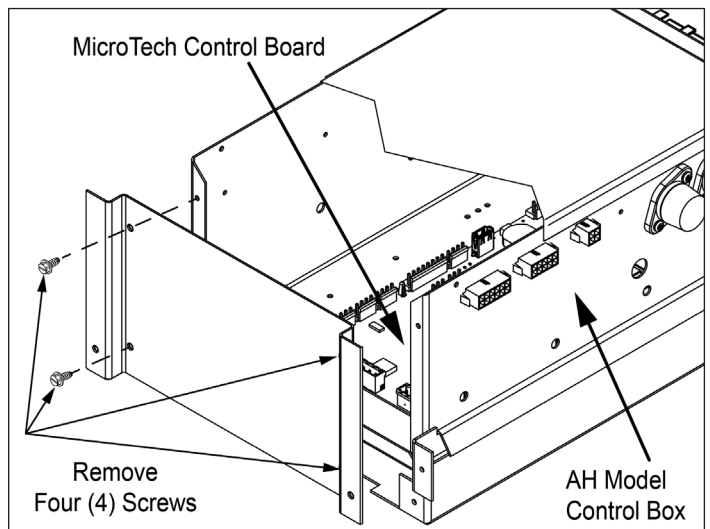
1. Open the hinged access door to control box section.

Figure 2: Location for LUI on AH Unit



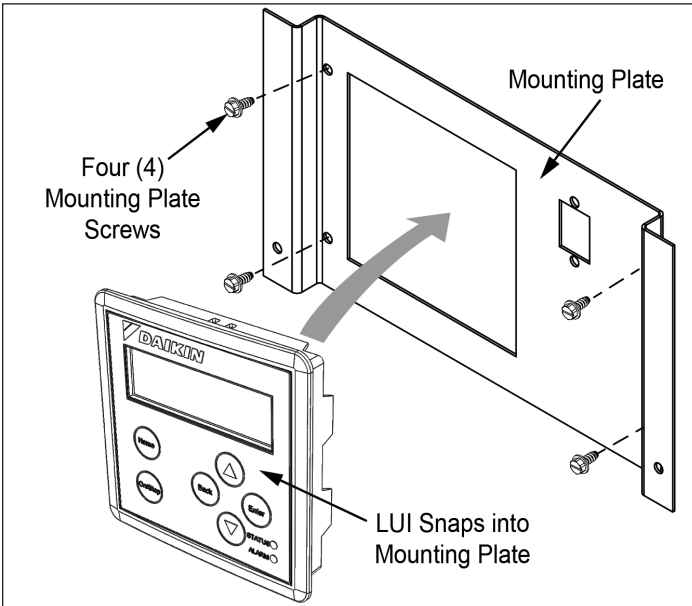
2. Remove four (4) screws holding the control box cover to allow access to the unit control board.

Figure 3: Remove the Blank Metal Panel by Removing Four (4) Screws



3. Snap the LUI into the cutout in the metal panel.

Figure 4: Snap LUI into Cutout in Kit Metal Panel



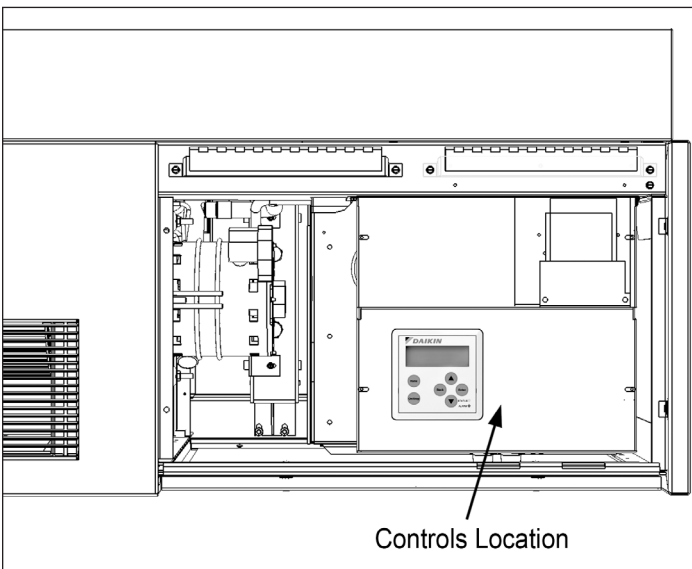
4. Plug the wire ribbon connectors from the LUI into the unit control board labeled H17 and H15. See [Figure 8 on page 6](#) for plug connector locations on control board.
5. Secure the metal panel with LUI to the control box with the four (4) screws.
6. Replace the top cover on the control box.

For Models AZ, AE, AR, & GR

Kit Part No. 669484503

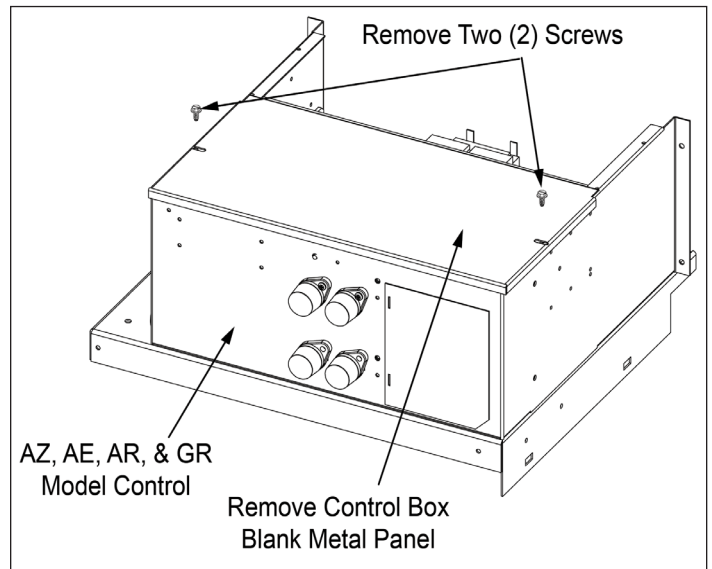
1. Open the hinged top-right access door to control box section.

Figure 5: AZ, AE, AR, & GR Models Control Box Location



2. Remove two (2) screws holding the blank metal panel on the control box.

Figure 6: Remove control box blank metal panel



3. Snap the LUI into the cutout in the kit metal panel.
4. Plug the wire ribbon connectors from the LUI into the unit control board labeled H17 and H15. See [Figure 8 on page 6](#) for plug connector locations on control board.
5. Secure the metal panel with LUI to the control box with the two (2) screws.

Figure 7: Install LUI into Cutout in Kit Metal Panel and Secure Panel with Two (2) Screws

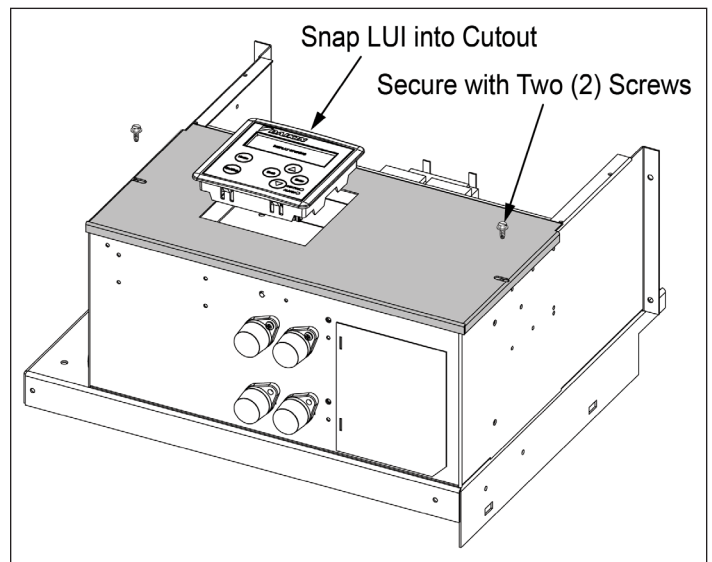
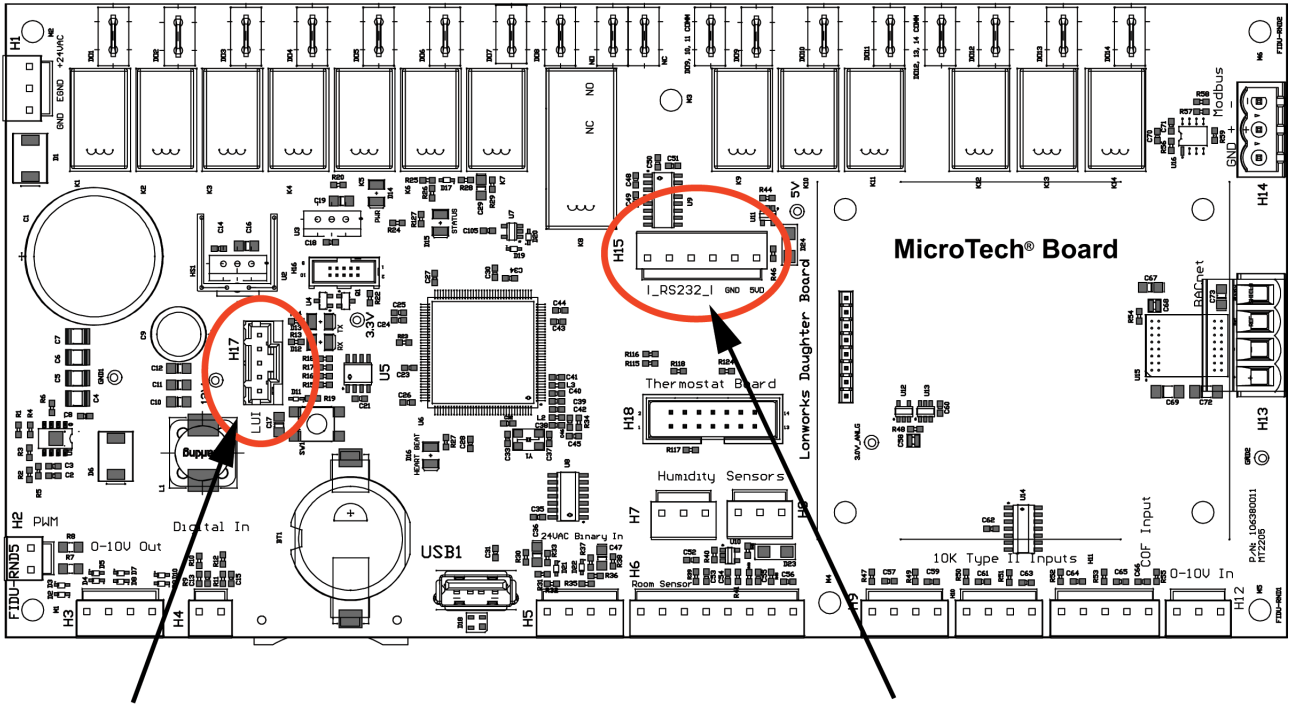


Figure 8: Control Board LUI Wire Ribbon Connection Locations – H15 & H17



LUI Control Board Wire Ribbon Connector Plug H17

LUI Control Board Wire Ribbon Connector Plug H15

COMPLETE HVAC SYSTEM SOLUTIONS

SELF-CONTAINED | ROOFTOPS | COILS | CONDENSING UNITS
AIR HANDLERS | WATER-COOLED CHILLERS | AIR-COOLED CHILLERS
MODULAR CENTRAL PLANTS | SITELINE BUILDING CONTROLS
UNIT HEATERS | FAN COILS | AIR PURIFIERS | WATER SOURCE HEAT PUMPS
VARIABLE AIR VOLUME UNITS | UNIT VENTILATORS



13600 INDUSTRIAL PARK BLVD. | MINNEAPOLIS, MN 55441
1-800-432-1342 | 763-553-5330

LEARN MORE AT
DAIKINAPPLIED.COM

PART NUMBER: IM1282-1

© 2025 DAIKIN APPLIED | (800) 432.1342 | WWW.DAIKINAPPLIED.COM