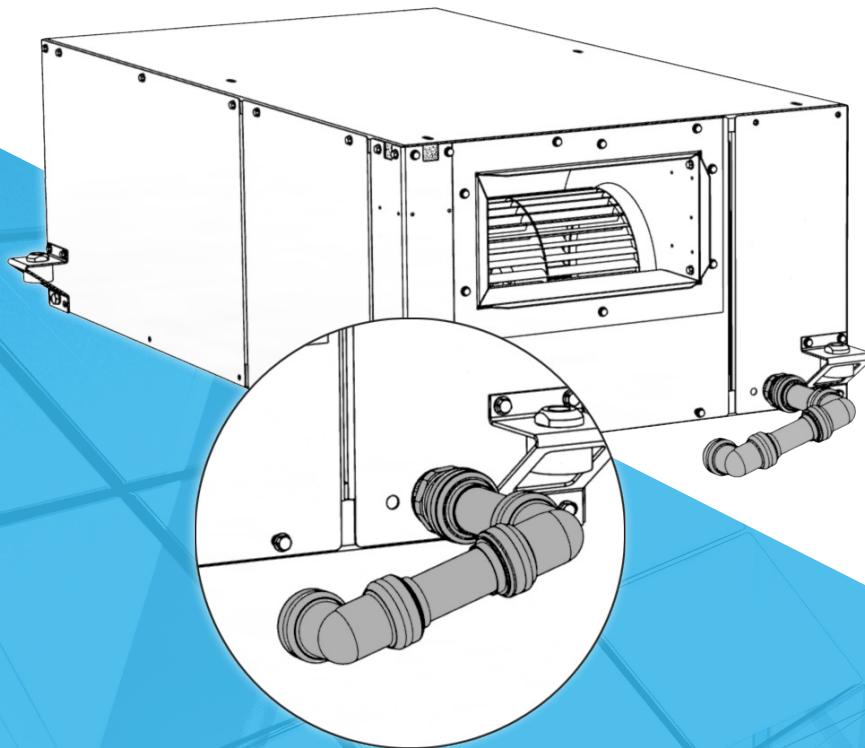


CONDENSATE RELOCATION KIT



- USED WITH THE FOLLOWING MODELS: WSCH, WSDH, WSMH, WSNH, WSSH, WSTH

Safety Information

Hazard Identification

DANGER

Danger indicates a hazardous situation, which will result in death or serious injury if not avoided.

WARNING

Warning indicates a potentially hazardous situations, which can result in property damage, personal injury, or death if not avoided.

CAUTION

Caution indicates a potentially hazardous situations, which can result in minor injury or equipment damage if not avoided.

NOTICE

Notice indicates practices not related to physical injury.

NOTE: Indicates important details or clarifying statements for information presented in Figures or Tables.

This manual provides installation and maintenance information for Daikin Applied CONDENSATE RELOCATION KIT.

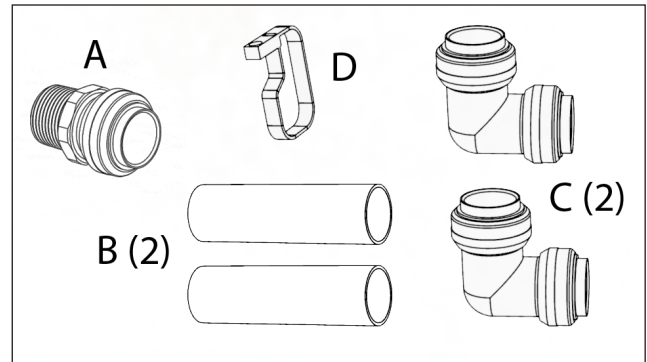
Introduction

The condensate relocation kit includes parts to relocate the condensate drain from the rear (discharge) end location to the front end of the unit (supply and return water connections).

Included Parts:

- A. 3/4" NPT x 7/8" (push to connect) fitting
- B. Condensate relocation adapter tube (2)
- C. 3/4" 7/8" x 7/8" 90 degree (push to connect) fitting (2)
- D. 8" cable tie

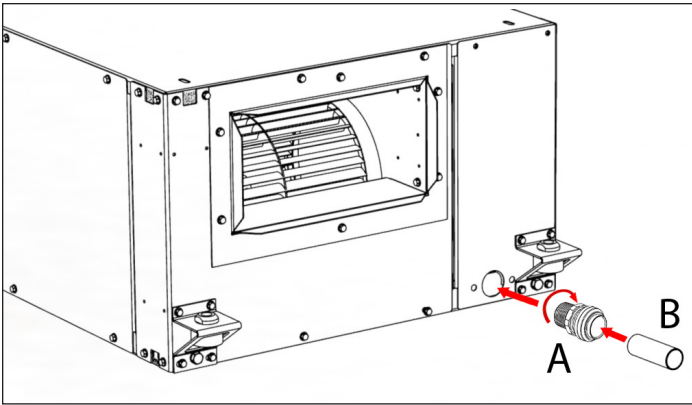
Figure 1:



Installation

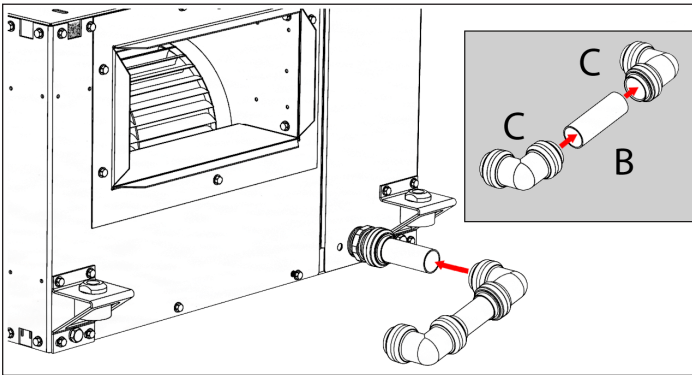
1. Push in and connect one of the condensate relocation adapter tubes (B) into the 3/4" NPT x 7/8" (push to connect) fitting (A). See [Figure 2](#).

Figure 2:



2. Apply thread sealant as needed then thread and tighten the 3/4" NPT x 7/8" fitting (A) into the condensate drain connection.
3. Push in to connect the second adapter tube (B) into the two 7/8" x 7/8" 90 degree fittings (C). Push to connect this assembly onto the extension pipe from the condensate. See [Figure 3](#).

Figure 3:

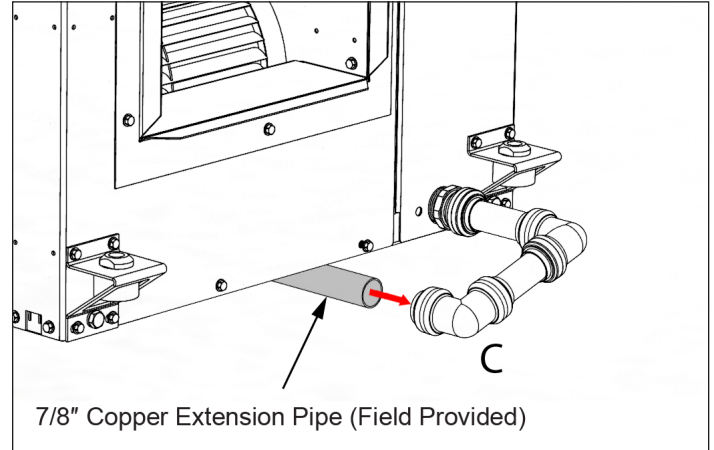


⚠ CAUTION

To prevent leaks at the push-connect fitting connections, piping must be cut squarely, smooth, and have burrs removed.

4. Connect an appropriate length of field provided 7/8" copper extension pipe into the bottom connection of the 7/8" x 7/8" 90 degree (push to connect) fitting. Installer is responsible for providing support of this field provided and installed extension pipe. See [Figure 4](#).

Figure 4:

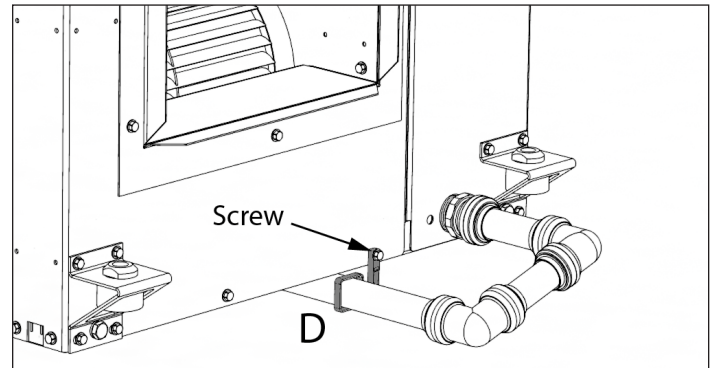


NOTE 1: When installed, the orientation of the (field provided) copper extension pipe must pitch down from the unit not less than 1/8" per foot and terminate with a condensate trap.

NOTE 2: Refer to the installation manual that came with the unit, and follow local codes for the correct application of condensate piping to drains.

5. Attach the cable tie (D) for support around the extension pipe. Secure it to the unit with the existing screw at the location shown in [Figure 5](#).

Figure 5:



NOTE: To prevent leaks due to sagging, ensure there is no stress or strain from unsupported weight on the connection points of the fittings.

⚠ WARNING

DO NOT drill holes or insert additional screws in the unit cabinet for the purpose of supporting piping, as damage to internal parts can occur.

6. Pour a small amount of water into the unit drain pan and check for leaks at the drain piping connections.

COMPLETE HVAC SYSTEM SOLUTIONS

SELF-CONTAINED | ROOFTOPS | COILS | CONDENSING UNITS
AIR HANDLERS | WATER-COOLED CHILLERS | AIR-COOLED CHILLERS
MODULAR CENTRAL PLANTS | SITELINE BUILDING CONTROLS
UNIT HEATERS | FAN COILS | AIR PURIFIERS | WATER SOURCE HEAT PUMPS
VARIABLE AIR VOLUME UNITS | UNIT VENTILATORS



13600 INDUSTRIAL PARK BLVD. | MINNEAPOLIS, MN 55441
1-800-432-1342 | 763-553-5330

LEARN MORE AT
DAIKINAPPLIED.COM

PART NUMBER: IM1405

© 2025 DAIKIN APPLIED | (800) 432.1342 | WWW.DAIKINAPPLIED.COM