

Wall Plate Kit for ThinLine™3G Vertical Hideaway Fan Coils and Unit Heaters

Group: Applied Air Systems

Part Number: 668115704

Date: October 2011

This wall plate kit is designed for use with Daikin ThinLine 3G vertical hideaway fan coils and unit heaters. Part numbers for each kit are provided in Table 1 along with overall wall plate dimensions and recommended wall openings. Before installing the kit, verify that you have the right kit for your fan coil or unit heater. Wall plates for Size 08, 10 and 12 units are in two sections and shipped in separate cartons.

Table 1: Wall plate dimensions and kit part numbers

Unit Size	Width x Height - Inches (mm)		Kit Part Number	
	Wall Plate	Recommended Wall Opening	Front Discharge	Top Discharge
02	37.25 x 28.81 (946 x 732)	34 x 26 (864 x 660)	668114901	668114908
03	42.75 x 28.81 (1086 x 732)	40 x 26 (1016 x 660)	668114902	668114909
04	48.25 x 28.81 (1226 x 732)	45 x 26 (1143 x 660)	668114903	668114910
06	59.25 x 28.81 (1505 x 732)	56 x 26 (1422 x 660)	668114904	668114911
08	64.75 x 28.81 (1645 x 732)	62 x 26 (1575 x 660)	668114905	668114912
10	75.75 x 28.81 (1924 x 732)	72 x 26 (1828 x 660)	668114906	668114913
12	86.75 x 28.81 (2203 x 732)	84 x 26 (2134 x 660)	668114907	668114914

To line up with the mounting holes in the wall plate, the fan coil or unit heater should be mounted flush with the wall and with its base a minimum of 1.5 inches (38 mm) above the floor (the unit and wall plate can be mounted at any height above this minimum). The chassis should be centered horizontally in the wall opening.

Wall Plate Installation

NOTICE

Installation and maintenance are to be performed only by qualified personnel who are familiar with and in compliance with state, local and national codes and regulations, and experienced with this type of equipment.

DANGER

Electrical shock will cause severe injury or death. Disconnect all electrical power before servicing unit.

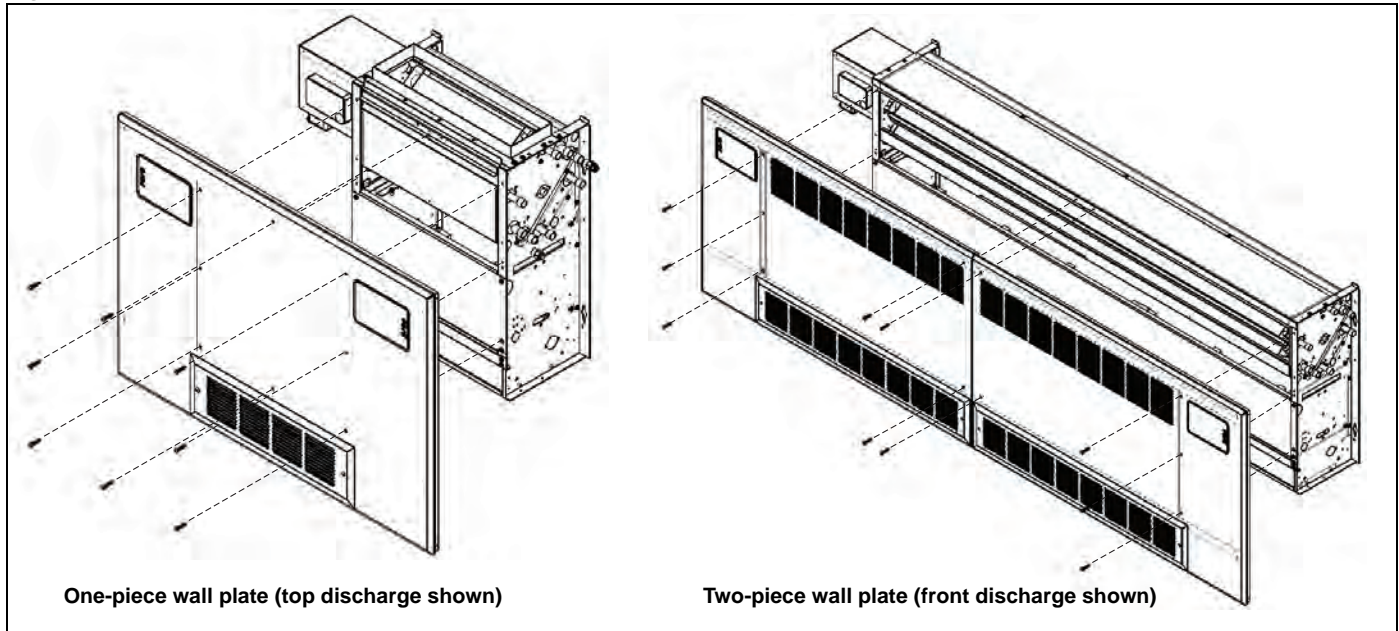
WARNING

Wear protective gloves to avoid possible cuts and abrasions from exposed edges. Avoid contact with sharp edges.

After properly installing a hideaway unit in the wall (see suggestions above) the wall plate can be fastened to the unit in the following manner:

- 1 On units with one wall plate, fasten the wall plate to the vertical flanges of the unit with furnished #10 x 1" long sheet metal screws, as shown in [Figure 1, page 2](#).
- 2 On units with two-piece wall plates, fasten one wall plate to one side of the chassis, leaving the screws slightly loose to allow adjustments. Then, fasten the other wall plate to the unit. Align the centers of the wall plates to match up both vertically and horizontally, then tighten the screws on both wall plates. See [Figure 1, page 2](#).

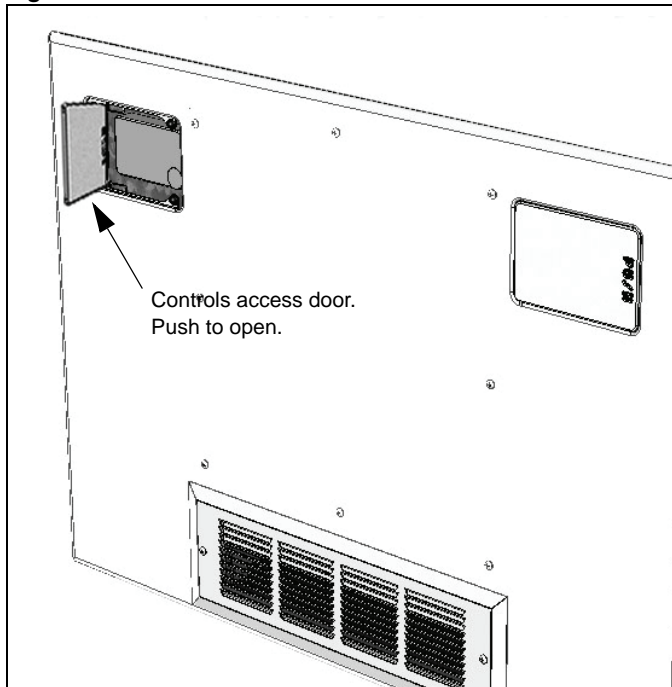
Figure 1: Wall plate installation



Controls Access

Access to fan speed and temperature controls is through the wall plate control access door (Figure 2). Push on the door where indicated to open it. Controls are located on the opposite end from the coil connections for most applications.

Figure 2: Controls access



Filter Access

Access to the filter is through the return air grille or grilles (see Figure 3). Remove the two #10 sheet metal screws to remove the grill cover, then remove the filter using the instructions provided with the unit.

Figure 3: Filter access

