

Console Water Source Heat Pumps Models MHC & MHW – Accessory Subbase

WARNING

Installation and maintenance are to be performed by qualified personnel who are familiar with local codes and regulations, and experienced with this type of equipment.

CAUTION

Sharp edges can cause personal injury. Avoid contact with them.

DANGER



Disconnect all electrical power before servicing unit to prevent injury or death due to electrical shock.

Installation

1. Remove the subbase from the shipping carton and check that all parts are included.

For chassis only applications, go to step 3.

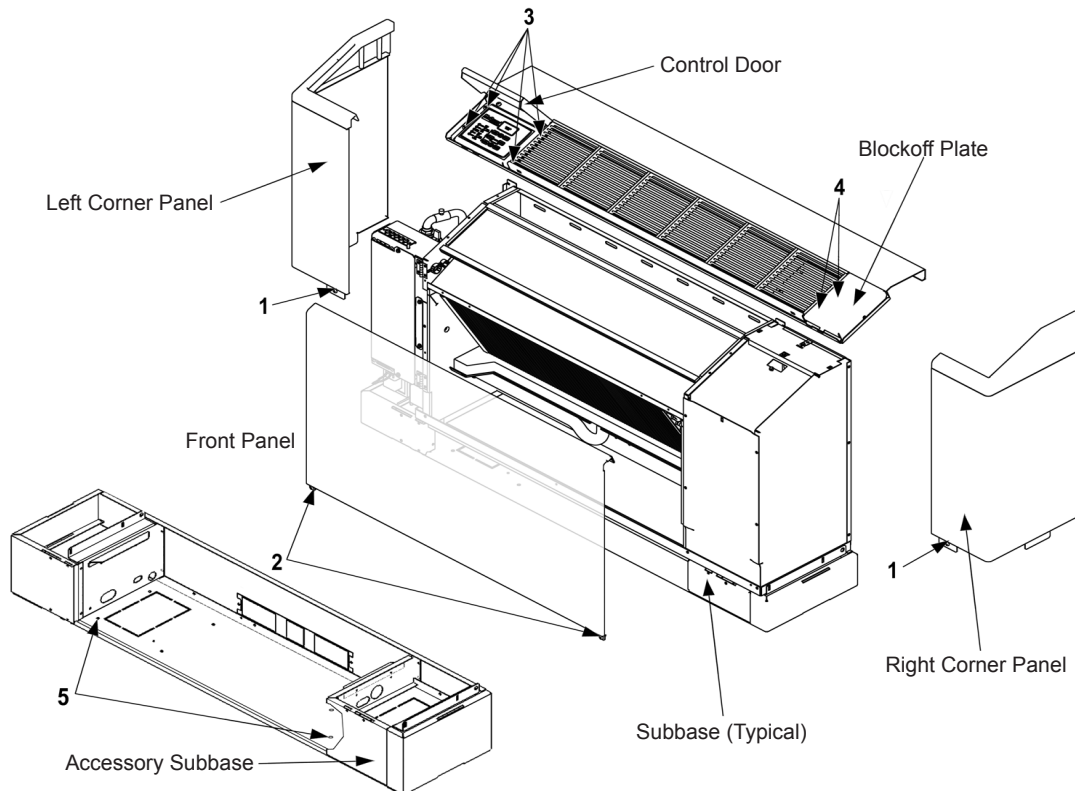
2. Remove the right and left corner panels and the front panel from the unit by removing screws at locations 1 & 2 shown in figure 1. It may be necessary to remove the discharge grille top section (screw locations 3 & 4), to allow access to fasteners securing the chassis to the wall.

Note: Set the unit panels aside where they will not be damaged.

The accessory subbase gives added height for high sill applications, providing additional clearance to accommodate existing piping, electrical, or a condensate pump.

The following installation instructions are for the replacement of a pre-existing subbase with an accessory subbase, or the addition of the subbase to a chassis only application. For new Console unit and subbase installation, refer to IM 985 for more detailed instructions.

Figure 1. Cabinet Panel Screw Locations and Panel Removal



Models MHC & MHW – Accessory Subbase Installation

3. Locate and remove screws, brackets or fasteners securing the existing chassis to the wall, and the screws securing the subbase to the floor (at locations 5). Retain these screws (provided by others) to be reused.

CAUTION

Do not lift chassis by critical components, tubing, etc., which can cause damage to the unit.

IMPORTANT

Clean subbase mounting area of all debris. Daikin recommends the placement of a sound absorbing mat beneath the subbase footprint if one does not exist.

Note: If an outside air damper kit exists on the subbase, reinstall it on the accessory subbase now. If necessary, refer to IM 974 for detailed instructions to install the manual damper and the motorized damper kit.

4. Set the subbase in place and center the outside air damper opening with the opening in the wall (if equipped).

Note: The gasket (seal) prevents infiltration of ambient conditions. It is the responsibility of the installing contractor to assure that the gasket is in good condition and matches up with the wall opening or that additional material is used to assure a positive seal.

5. Reinstall screws to secure subbase at locations 5, in figure 2.

CAUTION

Lift the chassis from the lower corners and not by critical components or damage to the unit can occur.

6. Lift chassis onto subbase and secure it to the chassis with the four 1/4" hex head screws (figure 2).
7. Perform steps 2 & 3 in reverse order to secure the chassis and panels with the previously removed fasteners.
8. Remake previously disconnected piping connections and electrical connections.
9. Restore power to the unit.

Figure 2. Set Chassis on Subbase and Attach with Four 1/4" Hex Head Screws

