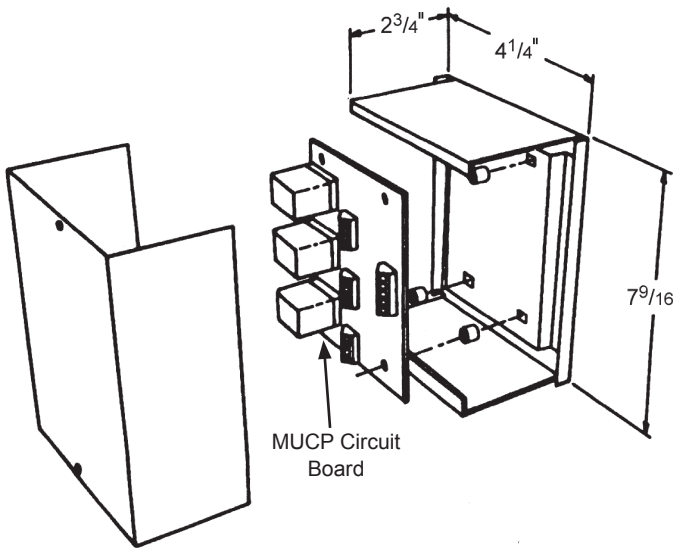


Multiple Unit Control Panel (MUCP) for Use With Water Source Heat Pump Units with Mark IV Unit Controller or MicroTech® III Unit Controller – Kit P/N 056794201

Figure 1: Multiple Unit Control Panel and Board



The Multiple Unit Control Panel (MUCP) is an accessory used when up to 3-units are controlled from a single thermostat. It is typically mounted in the unit control box closest to the thermostat. A maximum of 2 boards may be used together if up to 6-units must be connected and controlled from a single thermostat.

Low voltage wiring between terminal blocks and the Daikin wall thermostat should be made in conformance with applicable codes. A color-coded low voltage cable is recommended.

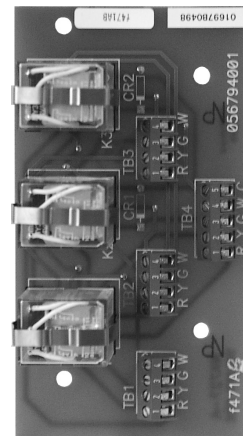
This version of the board uses VAC relays and should not be used in combination with any other accessories or equipment that require VDC connections to the “G”, “W1”, or “Y1” terminals (i.e. Boilerless System Kit).

The multiple unit control board provides the components necessary to protect the MicroTech III controller and the Mark IV controller from electrical damage that may occur when using standard off-the-shelf relays.

Do not use the unoccupied (U-terminal) feature with the multiple unit control board.

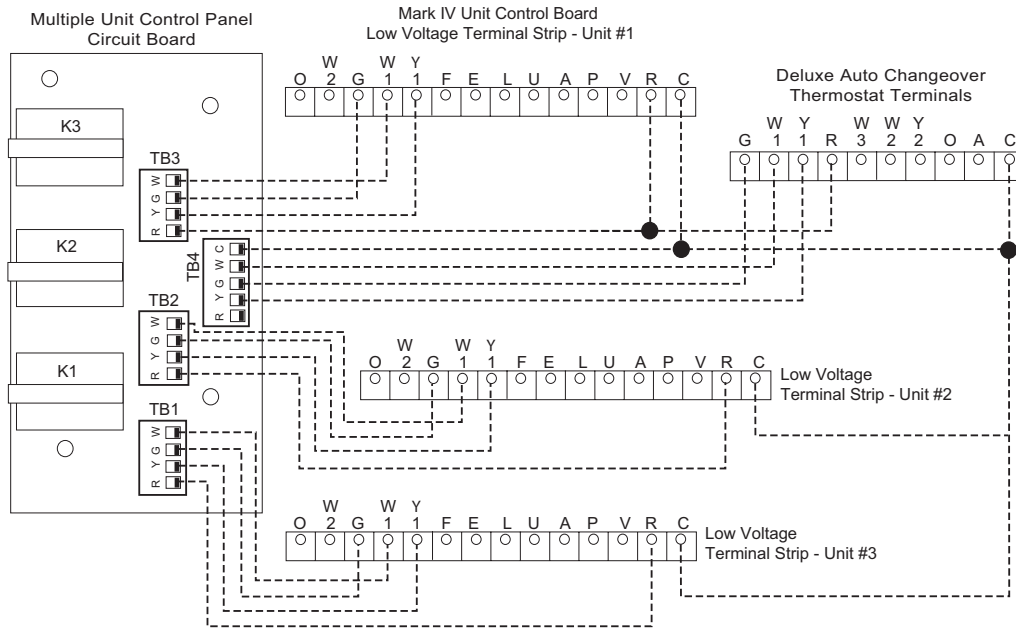
Do not use the MUCP with multi-speed fan thermostats.

Figure 2: Multiple Unit Control Panel Circuit Board



Multiple Unit Control Panel (MUCP) for Use With Mark IV Unit Control Board

Figure 3: Wiring The Multiple Unit Control Panel Circuit Board



Notes:

1. Dotted lines represent low voltage (Class II) wiring; a color-coded thermostat cable is recommended.
2. MUCP may be mounted horizontally or vertically on heat pump cabinet or any convenient surface.
3. Do not use if using night setback.
4. Thermostat must be A.C. voltage.

Multiple Unit Control Panel (MUCP) for Use With MicroTech™ III Unit Controller

Figure 4: Wiring The Multiple Unit Control Panel Circuit Board

